

Glass Passivated Fast Recovery Rectifier

FR8A01-G THRU FR8A07-G

Voltage Range 50 to 1000 V

Current 8.0 Ampere

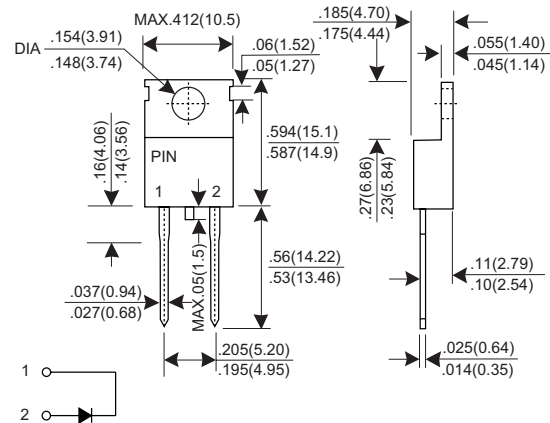
Features

- ★ Fast switching for high efficiency
- ★ Low forward voltage drop
- ★ High current capability
- ★ Low reverse leakage current
- ★ High surge current capability

Mechanical Data

- ★ Case: Molded plastic TO-220AC
- ★ Epoxy: UL 94V-0 rate flame retardant
- ★ Terminals: Solderable per MIL-STD-202 method 208
- ★ Polarity: Color band denotes cathode
- ★ Mounting position: Any
- ★ Weight: 2.03 grams

TO-220AC



Dimensions in inches and (millimeters)

MAXIMUM RATINGS AND ELECTRICAL CHARACTERISTICS

Rating at 25°C ambient temperature unless otherwise specified.

Single phase, half wave, 60Hz, resistive or inductive load.

For capacitive load, derate current by 20%.

	SYMBOL	FR 8A01-G	FR 8A02-G	FR 8A03-G	FR 8A04-G	FR 8A05-G	FR 8A06-G	FR 8A07-G	UNIT
Maximum Recurrent Peak Reverse Voltage	V _{RRM}	50	100	200	400	600	800	1000	V
Maximum RMS Voltage	V _{RMS}	35	70	140	280	420	560	700	V
Maximum DC Blocking Voltage	V _{DC}	50	100	200	400	600	800	1000	V
Maximum Average Forward Rectified Current T _c =100°C	I _{F(AV)}	8.0							A
Peak Forward Surge Current, 8.3ms single Half sine-wave superimposed on rated load (JEDEC method)	I _{FSM}	150							A
Maximum Instantaneous Forward Voltage @ 8.0 A	V _F	1.3							V
Maximum DC Reverse Current @T _J =25°C At Rated DC Blocking Voltage @T _J =125°C	I _R	10.0 250							uA uA
Maximum Reverse Recovery Time (Note 1)	T _{rr}	150			250	500			nS
Typical junction Capacitance (Note 2)	C _J	65							pF
Typical Thermal Resistance (Note 3)	R _{θJC}	2.2							°CW
Operating Junction and Storage Temperature Range	T _J , T _{STG}	-55 to + 150							°C

NOTES : (1) Reverse recovery test conditions I_F = 0.5A, I_R = 1.0A, I_{rr} = 0.25A.
(2) Measured at 1.0 MHz and applied reverse voltage of 4.0 Volts DC.
(3) Thermal Resistance junction to case.

Glass Passivated Fast Recovery Rectifier

COMCHIP
SMD DIODE SPECIALIST



RATINGS AND CHARACTERISTIC CURVES FR8A01-G THRU FR8A07-G

FIG.1 - FORWARD CURRENT DERATING CURVE

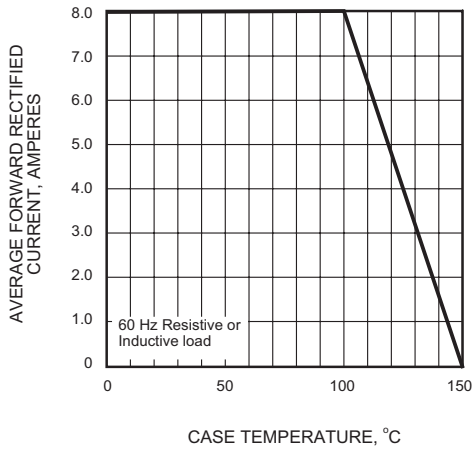


FIG.2 - MAXIMUM NON-REPETITIVE PEAK FORWARD SURGE CURRENT

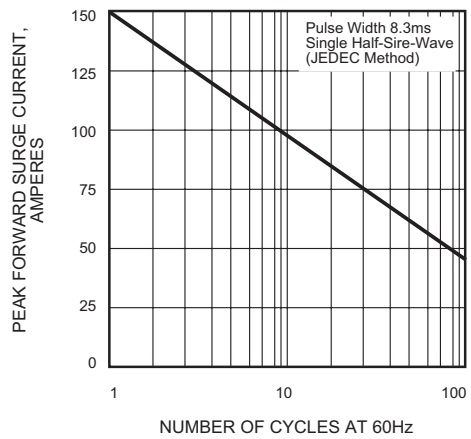


FIG.3 - TYPICAL INSTANTANEOUS FORWARD CHARACTERISTICS

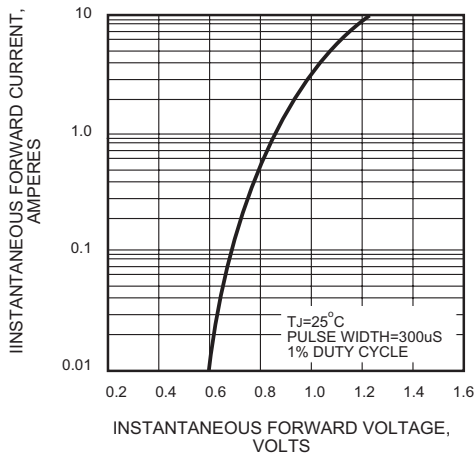


FIG.4 - TYPICAL REVERSE CHARACTERISTICS

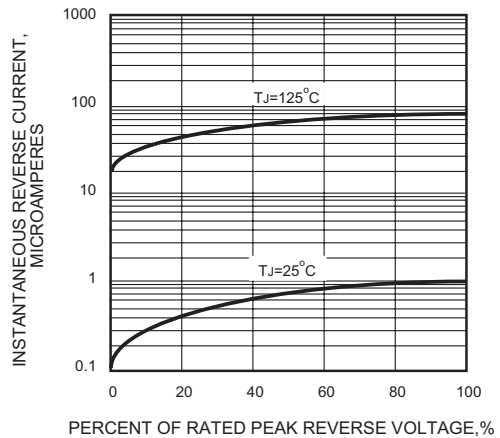


FIG.5 - TYPICAL JUNCTION CAPACITANCE

