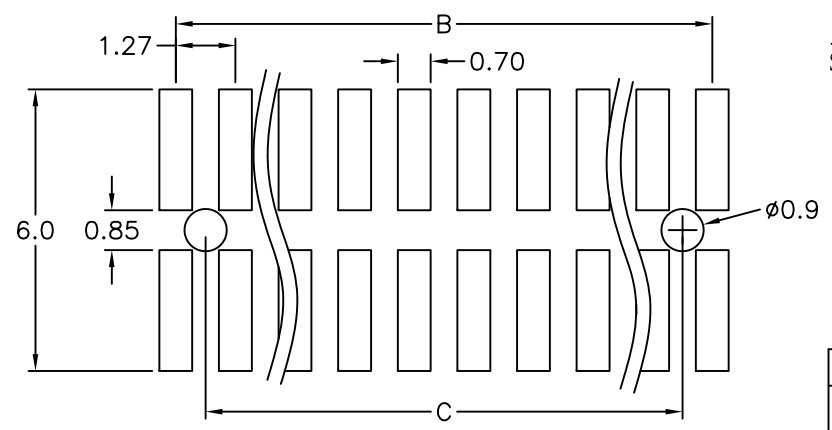
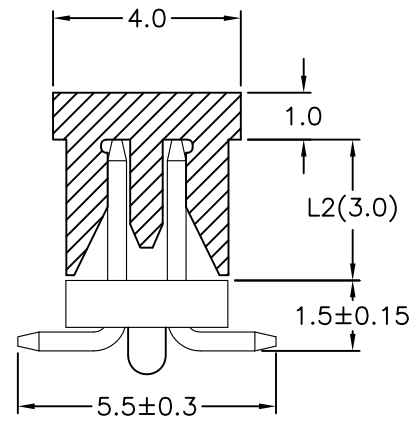
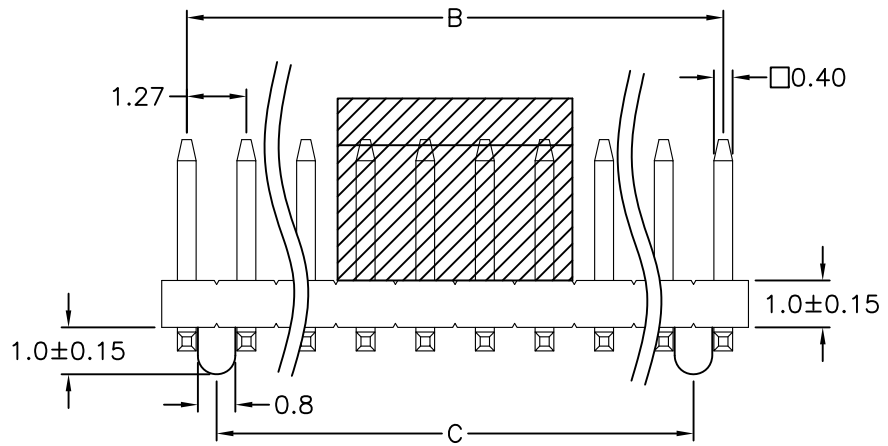
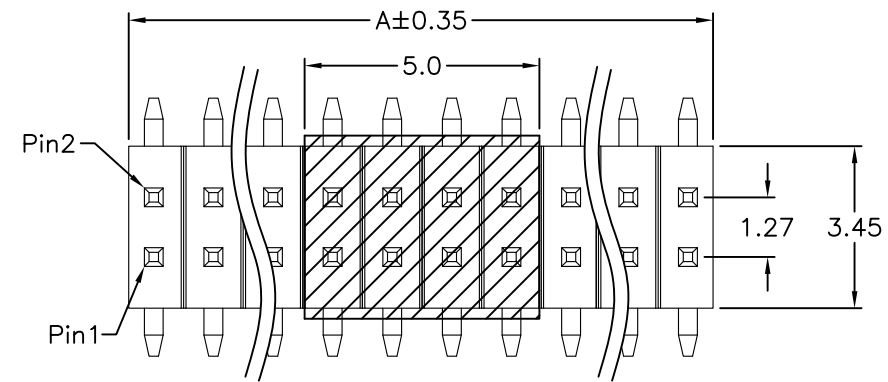


REV.	SPECIFICATION	ECN NO.	APPD.

Material:
Housing: High Temperature Plastic UL94V-0.
Contacts: Copper Alloy.

Electrical Characteristics:
Current Rating: 1 AMP.
Dielectric Withstanding Voltage: AC 500V for 1 minute.
Insulator Resistance: 5000MΩ min. at DC 500V.
Contact Resistance: 20mΩ max. at DC 100mA.
Operating Temperature: -40°C~+105°C.
***RoHS Compliant**



P.C. Board Layout

2215- Series **2** Double Row **X** No. of Pin Per Row **xx** **G** C: Selective Gold Plated **00** 00: G/F 10: 10 15: 15 30: 30 **D** SMD Type **P** P: With Post N: Without Post **-L2** Mating Length **T** T: Tape & Reel Package **-P** P: Plastic Pad **U**: Tube Package

Position	4 Thru 100
Dimension	
A	1.27 X No. of Positions/2-0.2
B	1.27 X No. of Positions/2-1.27
C	1.27 X No. of Positions/2-2.54

Tolerances	Dwg. No.	2215D01025	Title:	2215 Series
x = ±0.50	Projection		Pin Header	
.x = ±0.25	Unit	mm	Scale	1:1
.xx = ±0.15	Drawn By	Vic Lyu10/26'15		1.27mmx1.27mm

① 535

OUPIIN ELECTRONIC(KUNSHAN) CO., LTD.			
P/N: 2215-2XxxG00DP-L2T-P			
SHEET	1/1	Ver.No.	A6