

**WS**

# GPP RECTIFIERS



\*\*\*  
XWAFAD001\*



**E127862**



# GLASS PASSIVATED BRIDGE RECTIFIERS

OPERATING/STORAGE TEMPERATURE RANGE -55°C TO+150°C

TYPE	Maximum Peak Reverse Voltage	Maximum Average Rectified Current @Half-Wave Resistive Load 60Hz		Maximum Forward Peak Surge Current @ 8.3ms Superimposed	Maximum Reverse Current @ PRV @ 25°C T <sub>A</sub>	Maximum Forward Voltage @ 25°C T <sub>A</sub>	
	PRV	I <sub>o</sub> @T <sub>A</sub>		I <sub>FM</sub> (Surge)	I <sub>R</sub>	I <sub>FM</sub>	V <sub>FM</sub>
	V <sub>PK</sub>	A <sub>AV</sub>	°C	A <sub>PK</sub>	μ Adc	A <sub>PK</sub>	V <sub>PK</sub>

## 1.5/2.0 AMPERE/WOM/RB-15



UL RECOGNIZED

W005G	50	1.5	75	50	5.0	1.0	1.0
W01 G	100	1.5	75	50	5.0	1.0	1.0
W02 G	200	1.5	75	50	5.0	1.0	1.0
W04 G	400	1.5	75	50	5.0	1.0	1.0
W06 G	600	1.5	75	50	5.0	1.0	1.0
W08 G	800	1.5	75	50	5.0	1.0	1.0
W10 G	1000	1.5	75	50	5.0	1.0	1.0
2W005G	50	2.0	75	50	5.0	1.0	1.0
2W01 G	100	2.0	75	50	5.0	1.0	1.0
2W02 G	200	2.0	75	50	5.0	1.0	1.0
2W04 G	400	2.0	75	50	5.0	1.0	1.0
2W06 G	600	2.0	75	50	5.0	1.0	1.0
2W08 G	800	2.0	75	50	5.0	1.0	1.0
2W10 G	1000	2.0	75	50	5.0	1.0	1.0

## 2.0 AMPERE/KBP



UL RECOGNIZED

KBP005G	50	2.0	75	75	5.0	1.0	1.0
KBP01 G	100	2.0	75	75	5.0	1.0	1.0
KBP02 G	200	2.0	75	75	5.0	1.0	1.0
KBP04 G	400	2.0	75	75	5.0	1.0	1.0
KBP06 G	600	2.0	75	75	5.0	1.0	1.0
KBP08 G	800	2.0	75	75	5.0	1.0	1.0
KBP10 G	1000	2.0	75	75	5.0	1.0	1.0
KBP12 G	1200	2.0	75	75	5.0	1.0	1.0

## 4.0 AMPERE/KBL



UL RECOGNIZED

KBL005G	50	4.0	75	200	5.0	3.0	1.0
KBL01 G	100	4.0	75	200	5.0	3.0	1.0
KBL02 G	200	4.0	75	200	5.0	3.0	1.0
KBL04 G	400	4.0	75	200	5.0	3.0	1.0
KBL06 G	600	4.0	75	200	5.0	3.0	1.0
KBL08 G	800	4.0	75	200	5.0	3.0	1.0
KBL10 G	1000	4.0	75	200	5.0	3.0	1.0
KBL12 G	1200	4.0	75	200	5.0	3.0	1.0

## 6.0 AMPERE/BR-6

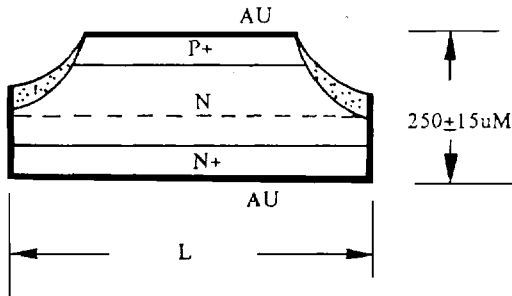


UL RECOGNIZED

KBPC6005G	50	6.0	75	200	5.0	3.0	1.1
KBPC601 G	100	6.0	75	200	5.0	3.0	1.1
KBPC602 G	200	6.0	75	200	5.0	3.0	1.1
KBPC604 G	400	6.0	75	200	5.0	3.0	1.1
KBPC606 G	600	6.0	75	200	5.0	3.0	1.1
KBPC608 G	800	6.0	75	200	5.0	3.0	1.1
KBPC610 G	1000	6.0	75	200	5.0	3.0	1.1



# SILCON GLASS PASSIVATED DIODE CHIPS



[VOLTAGE RATING] 200V~1,600V

[CURRENT RATING] 1.0A~300A

[FEATURES] HIGH RELIABILITY

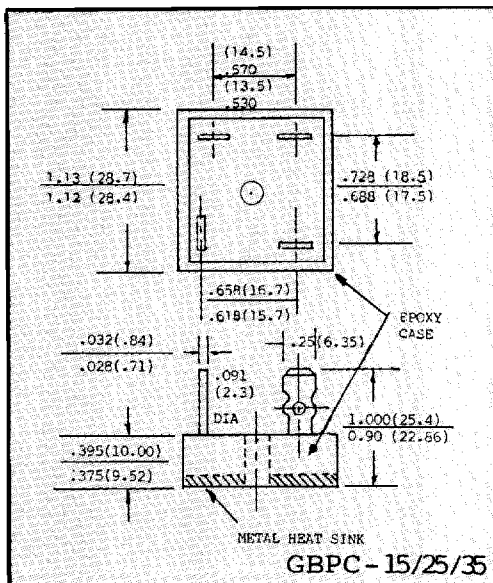
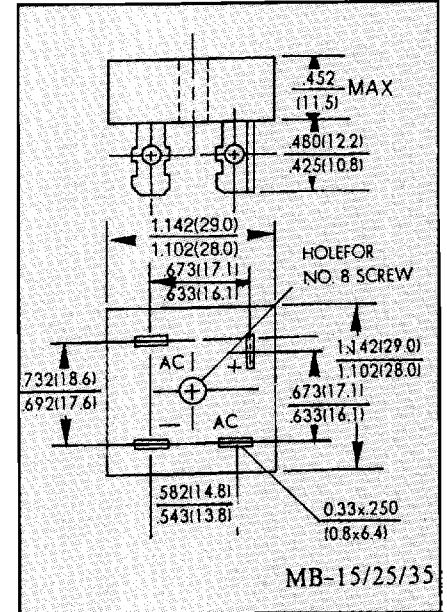
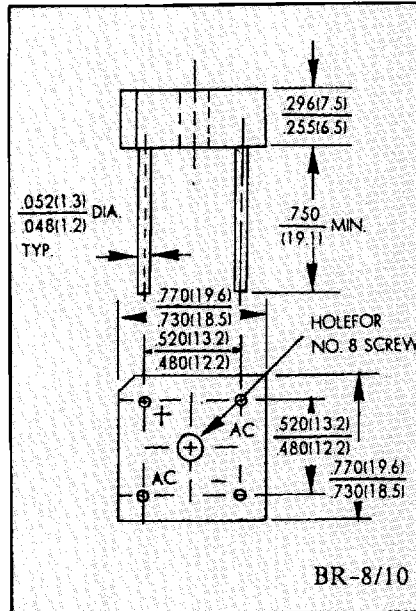
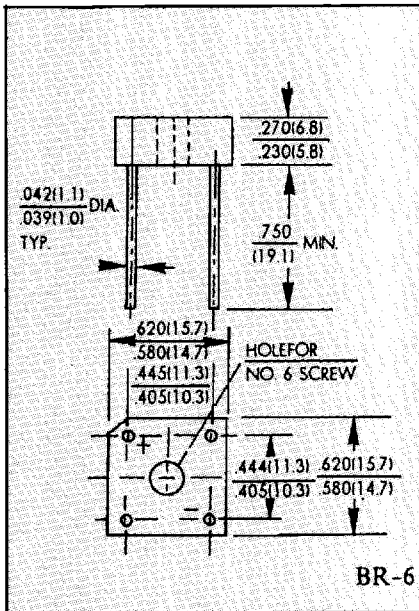
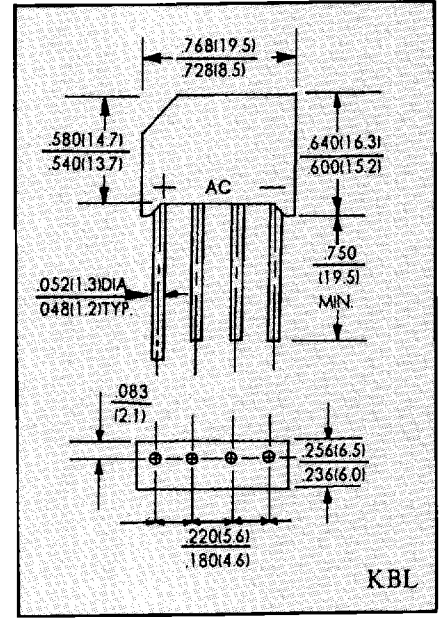
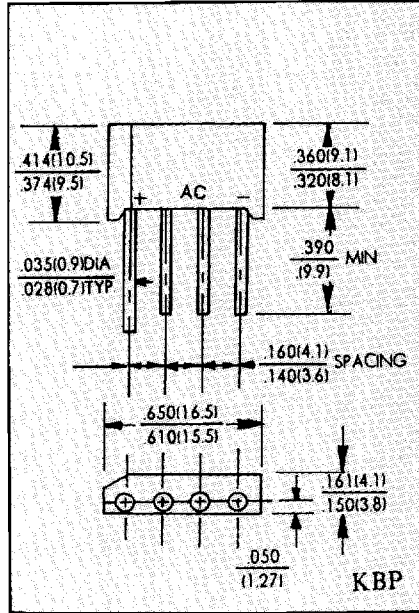
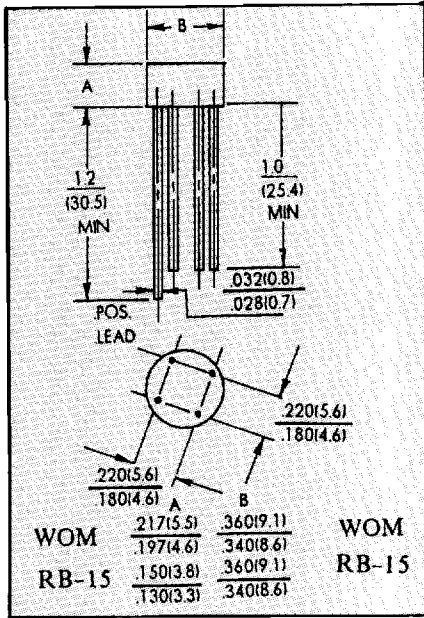
HIGH AND LOW TEMPERATURE ALLOWANCE

[APPLICATION] RECTIFICATION

## [ELECTRICAL CHARACTERISTICS] (TA=25°C)

ITEM	SYMBOL														UNIT
CHIP SIZE	L	1.27	1.52	1.78	2.03	2.54	3.17	3.55	4.32	4.57	5.59	8.38	9	10	MM
		50	60	70	80	100	125	140	170	180	220	330	355	400	MIL
METALIZATION		GOLD ON NICKEL													
MAX. PEAK REVERSE VOLTAGE	VRM	200 ~ 1600													V
MAX.FOWARD CURRENT	IO	1.0	1.0	1.5	3.0	4.0	5.0	10	25	30	50	100	200	300	A
MAX.SURGE CURRENT(1C/C,1SEC)	IFSM	30	50	65	90	140	200	300	400						A
FORWARD VOLTAGE DROP AT IF=IO	VF	1.0	1.0	1.0	1.0	1.0	1.0	1.0							V
REVERSE CURRENT AT VR=VRM	IRM	2.0	2.0	2.0	2.0	2.0	5.0	5.0	10.0	10.0	10.0	10.0	20.0	20.0	UA
JUNCTION TEMPERATURE	TJ	-50 +125													°C
STORAGE TEMPERATURE	TSTG	-65 +150													°C

# OUTLINE DRAWINGS



# GLASS PASSIVATED BRIDGE RECTIFIERS



OPERATING/STORAGE TEMPERATURE RANGE -55°C TO+150°C

TYPE	Maximum Peak Reverse Voltage	Maximum Average Rectified Current @Half-Wave Resistive Load 60Hz		Maximum Forward Peak Surge Current @ 8.3ms Superimposed	Maximum Reverse Current @ PRV @ 25°C T <sub>A</sub>	Maximum Forward Voltage @ 25°C T <sub>A</sub>	
	PRV	I <sub>o</sub> @T <sub>A</sub>		I <sub>FM</sub> (Surge)	I <sub>R</sub>	I <sub>FM</sub>	V <sub>FM</sub>
	V <sub>PK</sub>	A <sub>AV</sub>	°C	APK	μ Adc	APK	V <sub>PK</sub>

## 8.0/10 AMPERE/BR-8/10



KBPC8005G	50	8.0	75	200	5.0	4.0	1.1
KBPC801G	100	8.0	75	200	5.0	4.0	1.1
KBPC802G	200	8.0	75	200	5.0	4.0	1.1
KBPC804G	400	8.0	75	200	5.0	4.0	1.1
KBPC806G	600	8.0	75	200	5.0	4.0	1.1
KBPC808G	800	8.0	75	200	5.0	4.0	1.1
KBPC810G	1000	8.0	75	200	5.0	4.0	1.1
KBPC1005G	50	10.0	75	200	5.0	5.0	1.2
KBPC1001G	100	10.0	75	200	5.0	5.0	1.2
KBPC1002G	200	10.0	75	200	5.0	5.0	1.2
KBPC1004G	400	10.0	75	200	5.0	5.0	1.2
KBPC1006G	600	10.0	75	200	5.0	5.0	1.2
KBPC1008G	800	10.0	75	200	5.0	5.0	1.2
KBPC1010G	1000	10.0	75	200	5.0	5.0	1.2



## KBPC/GBPC 15/25/35 AMPERE/MB-35 (HIGH CONDUCTIVITY METAL/PLASTIC CASE).

(G)KBPC15005G	50	15	75	300	10	7.5	1.1
(G)KBPC1501G	100	15	75	300	10	7.5	1.1
(G)KBPC1502G	200	15	75	300	10	7.5	1.1
(G)KBPC1504G	400	15	75	300	10	7.5	1.1
(G)KBPC1506G	600	15	75	300	10	7.5	1.1
(G)KBPC1508G	800	15	75	300	10	7.5	1.1
(G)KBPC1510G	1000	15	75	300	10	7.5	1.1
(G)KBPC1512G	1200	15	75	300	10	7.5	1.1
(G)KBPC25005G	50	25	75	300	10	12.5	1.1
(G)KBPC2501G	100	25	75	300	10	12.5	1.1
(G)KBPC2502G	200	25	75	300	10	12.5	1.1
(G)KBPC2504G	400	25	75	300	10	12.5	1.1
(G)KBPC2506G	600	25	75	300	10	12.5	1.1
(G)KBPC2508G	800	25	75	300	10	12.5	1.1
(G)KBPC2510G	1000	25	75	300	10	12.5	1.1
(G)KBPC2512G	1200	25	75	300	10	12.5	1.1
(G)KBPC35005G	50	35	75	400	10	17.5	1.2
(G)KBPC3501G	100	35	75	400	10	17.5	1.2
(G)KBPC3502G	200	35	75	400	10	17.5	1.2
(G)KBPC3504G	400	35	75	400	10	17.5	1.2
(G)KBPC3506G	600	35	75	400	10	17.5	1.2
(G)KBPC3508G	800	35	75	400	10	17.5	1.2
(G)KBPC3510G	1000	35	75	400	10	17.5	1.2
(G)KBPC3512G	1200	35	75	400	10	17.5	1.2

香山電子股份有限公司

新竹市牛埔南路145號

電話：(035)386431-3

電話傳真：(035)382536

WAFU SEMICONDUCTOR CO., LTD.

145, NIU-PU SOUTH ROAD

HSIN-CHU, TAIWAN, R.O.C.

TEL: 886-35-386431(3 LINES)

FAX: 886-35-382536

USA Office/Warehouse

4180 CITY TERRACE DRIVE LOS ANGELES  
CA 90063

TEL: 213-2607812 FAX: 213-2607817