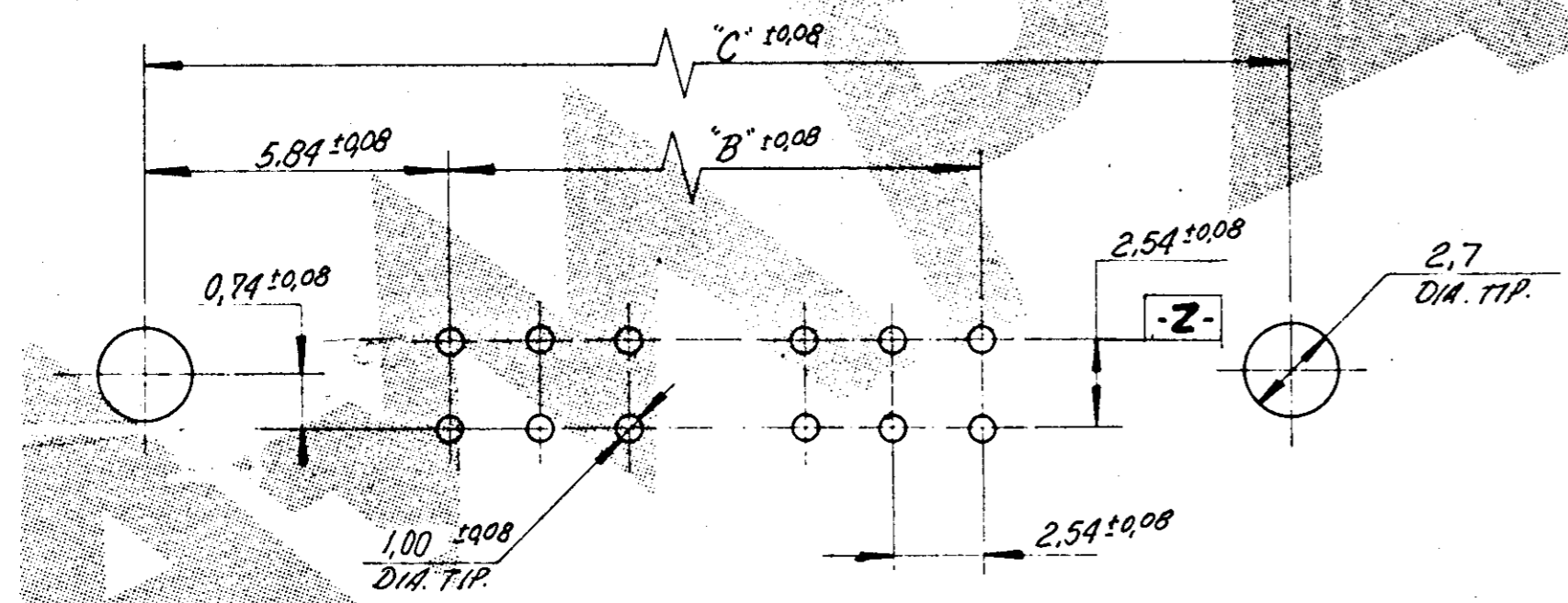
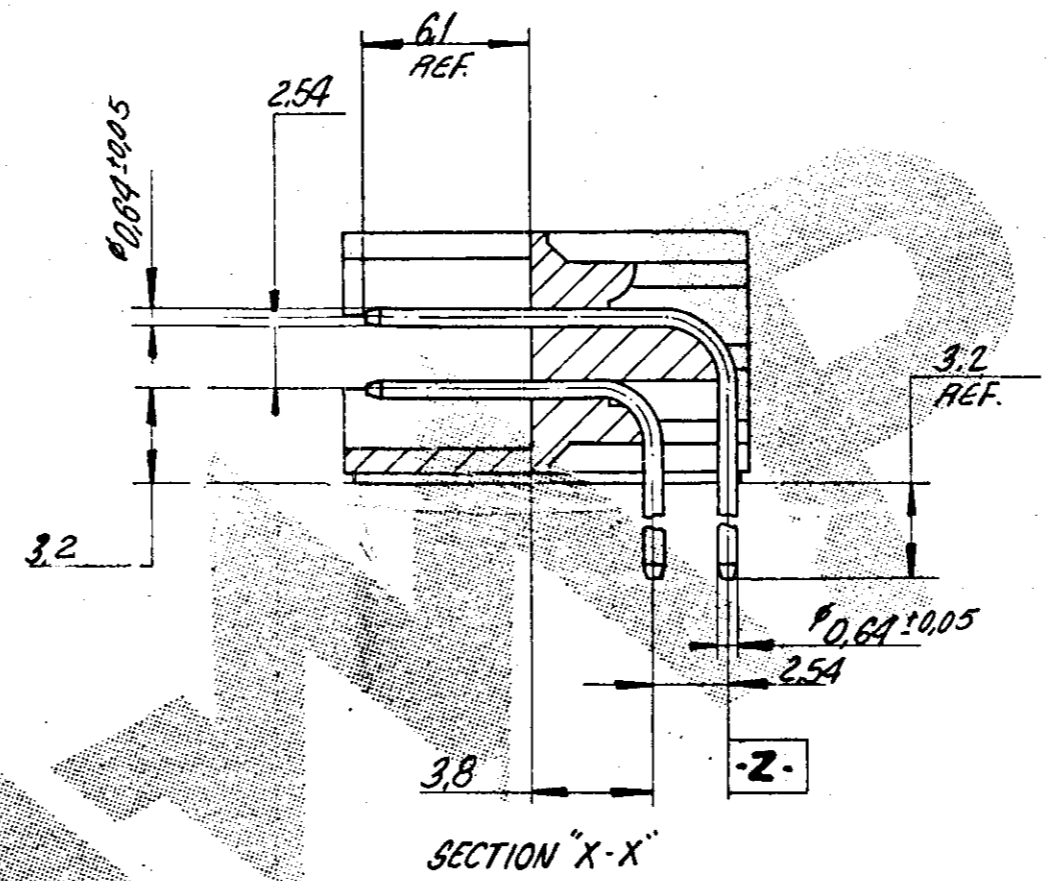
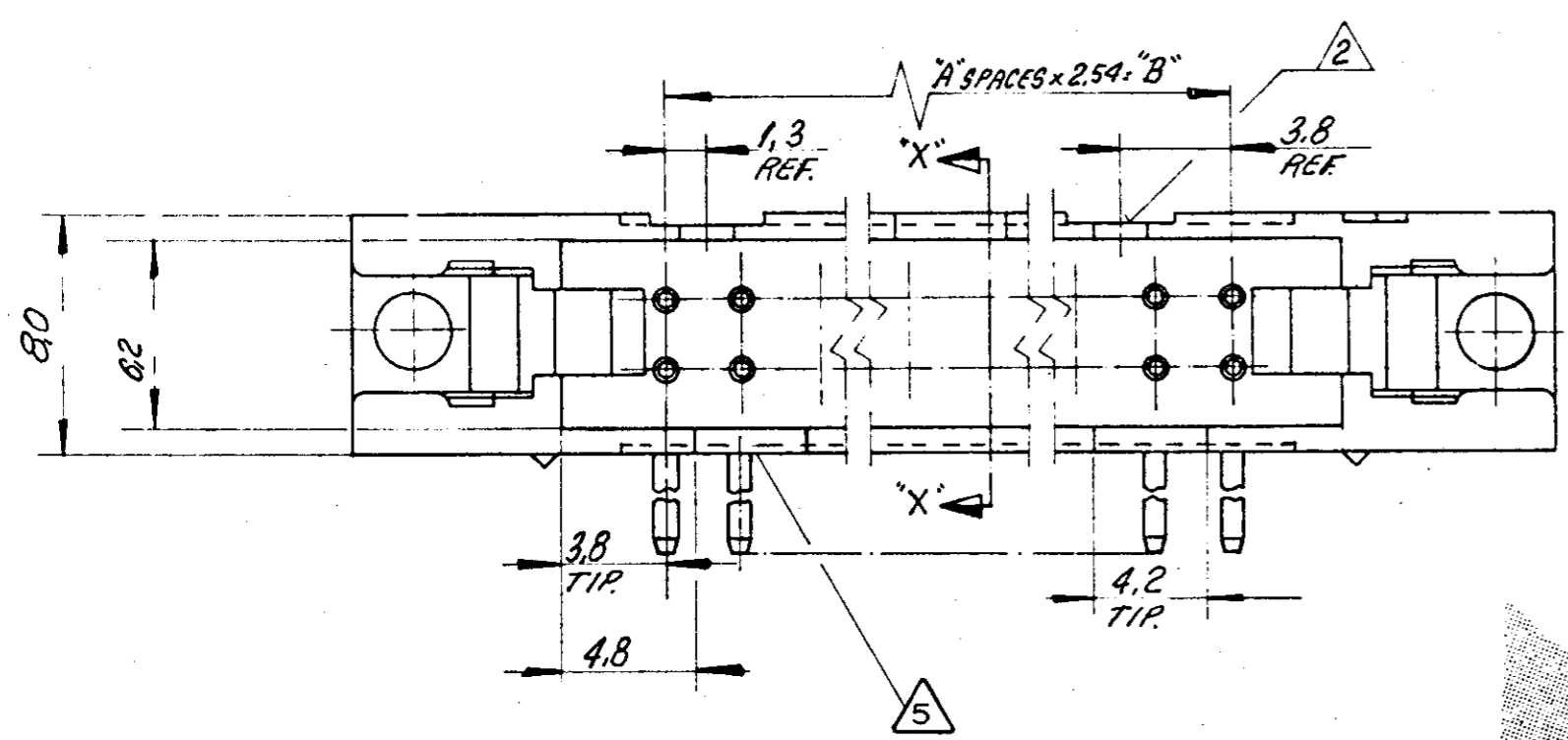
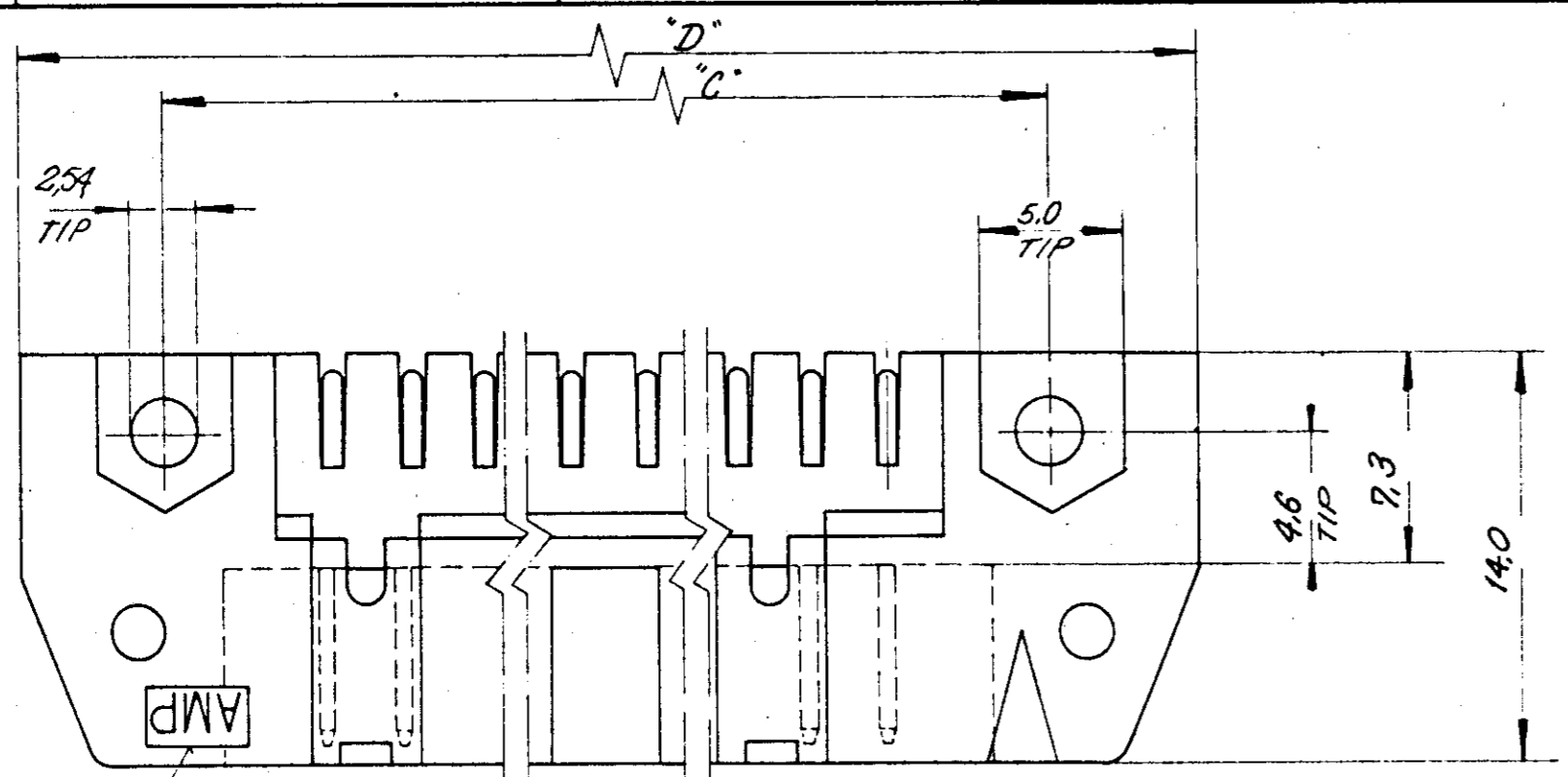


C 880029-880030

DO NOT SCALE  
DIMENSIONS IN mm.

**METRIC**

3rd ANGLE PROJECTION



FURÇÃO P/ PLACA DE CI RECOMENDADA  
P.C. BOARD MOUNTING AND HOLE PATTERN

NOTAS:  
NOTES:

- 1 - MARCA REGISTRADA AMP NA AREA INDICADA.  
AMP TRADEMARK ON LOCATE AREA.
- 2 - NÃO EXISTE ESTE ALOJAMENTO P/ FIXAÇÃO DO POLARIZADOR P/ 10-14 POS.  
THIS FEATURE DOES NOT APPEAR FOR 10-14 POS. TO FIT POLARIZER.
- 3 - MATERIAL: ALOJAMENTO-TERMOPLASTICO C/F. VIDRO 94 V-O; COR- PRETA.  
CONTACTO - LATAO  
MATERIAL: HSG - THERMOPLASTIC W/GLASS F. 94 V-O; COLOR - BLACK.  
CONTACT - BRASS.
- 4 - ACABAMENTO: 880029 - SOBEBANHO TOTAL DE 1,27 µm MIN. DE NIQUEL;  
2,54 µm MIN. DE ESTANHO-CHUMBO NA AREA DE SOLDA; 0,38 µm MIN. DE  
OURO NA AREA DE CONTATO.  
880030 - SIMILAR AO 880029, EXCETO 0,76 µm MIN. DE OURO NA AREA DE  
CONTATO.  
FINISH: 880029 - OVER TOTAL PLATING 1,27 µm MIN. NICKEL; 2,54 µm MIN. TIN/LEAD  
ON SOLDER AREA; 0,38 µm MIN. GOLD ON CONTACT AREA.  
880030 - SIMILAR TO 880029, EXCEPT 0,76 µm MIN. GOLD ON CONTACT AREA.
- 5 - NÃO EXISTE ESTE ASPECTO P/10 POSIÇÕES.  
THIS FEATURE DOES NOT APPEAR FOR 10 POS.

	10	32,0	21,84	10,16	4	1-	-0
	30	57,4	47,24	35,56	14	3-	-0
	60	95,5	85,34	73,66	29	6-	-0
	50	82,8	72,64	60,96	24	5-	-0
	40	70,1	59,94	48,26	19	4-	-0
	34	62,5	52,32	40,64	16	3-	-4
	26	52,3	42,16	30,48	12	2-	-6
	20	44,7	34,54	22,86	9	2-	-0
	16	39,6	29,46	17,78	7	1-	-6
	14	37,1	26,92	15,24	6	1-	880029 -4 880030 -4
	Nº POS.	"D"	"C"	"B"	"A"	PART NUMBER	

**CUSTOMER DWG**  
for REFERENCE ONLY

THIS DRAWING IS UNPUBLISHED / RELEASED FOR PUBLICATION

BY AMP DO BRASIL LTDA S.P. ALL INTERNATIONAL RIGHTS RESERVED AMP PRODUCTS MAY BE COVERED BY U.S. AND FOREIGN PATENTS AND/OR PATENTS PENDING

TOLERANCES UNLESS OTHERWISE STATED  
DEC 20.3  
ANGLES 2.1°

INS. DIA RANGE WIRE RANGE SCALE 5:1

**AMP** AMP do BRASIL LTDA.  
São Paulo, Brasil

DESCRIPTION UNIVERSAL PIN HEADER ASS'Y  
RIGHT ANGLE (DOUBLE ROW)

DWG NO C 880029-880030 SHEET 1 of 1

REVISION RECORD

ISS	REVISION	RECORD	DR	CHK	DATE	APP