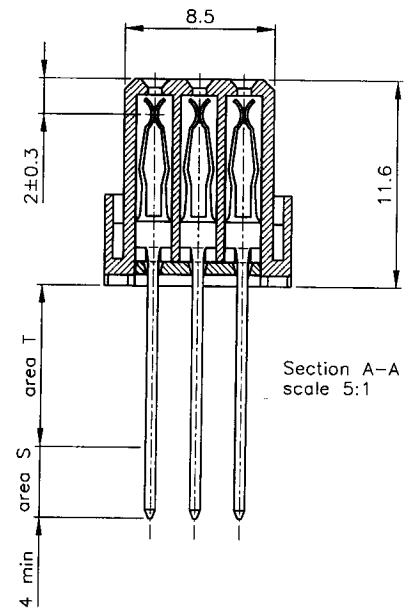
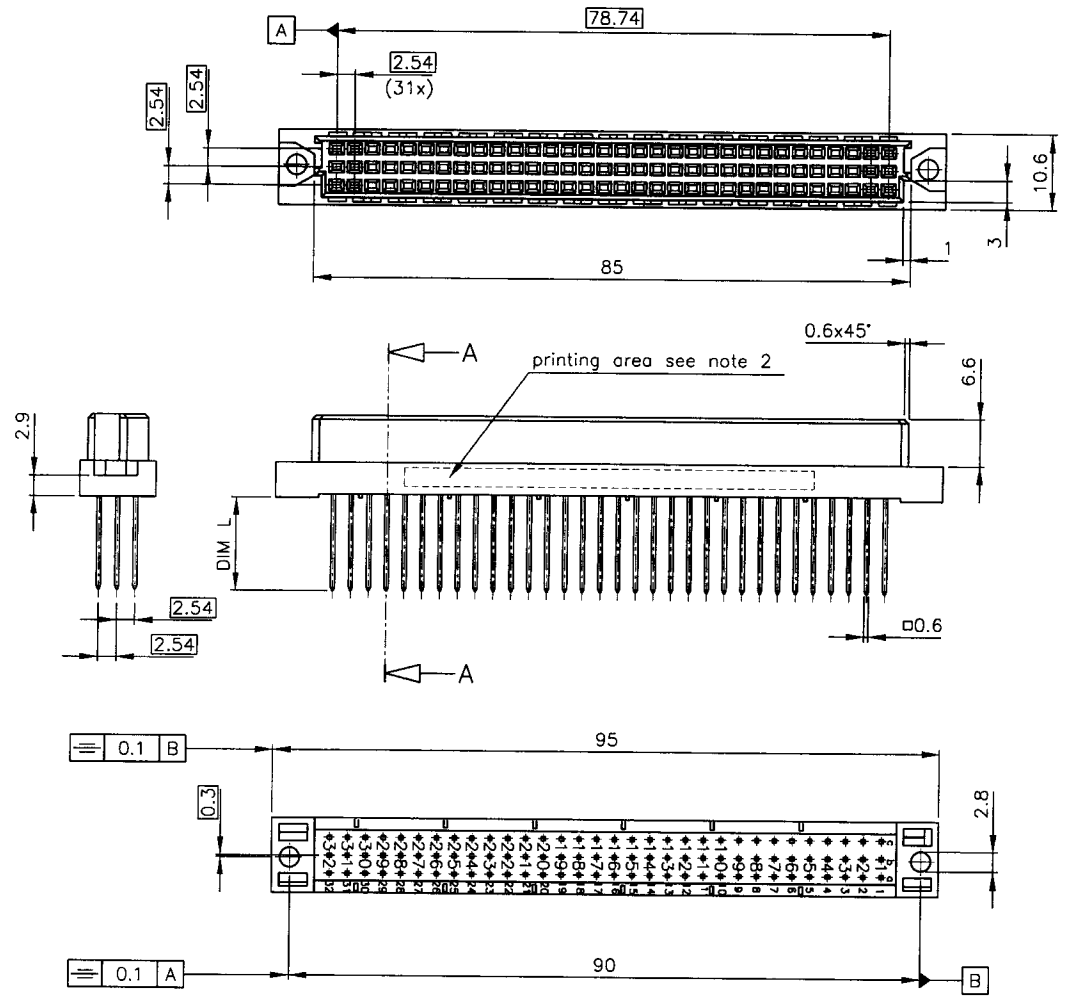
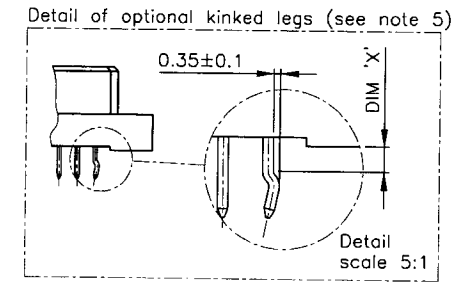


Product number see next sheet



- Notes:
- Material body: Glass fiber filled polyester
Material contact: Phosphor bronze
 - Printing consists of BERG 92325-XYZU YY-WK
Product number _____
DIN classification _____
Tail length code _____
Loading pattern code _____
Optional kinked legs code _____
Year and week number of fabrication _____
 - Only for 13 and 17mm tail length
 - Dimensions according to DIN 41612-C
 - Only for 4mm tail length

mat'l. code		tolerances unless otherwise specified		CUSTOMER COPY		FCI ELECTRONICS	
ltr	ecr no	dr	date	linear	projection	title	www.fciconnect.com
A	H30032	MW	930118			FEMALE STB	
B	H30633	MW	930915			preloaded connector	
C	H40755	DOB	941123	angles			
D	H50764	JSA	951212	dr	M. Visschers	930118	product family Backpanel code
E	H60003	JSA	960102	engr	M. Loman	930915	size dwg no
F	H70099	DOB	970213	chr	M. Loman	930118	scale
G	H10079	VVB	010222	appd	B. Teunissen	941123	2:1
sheet index	revision sheet	G	F	1	2		

All rights reserved. Reproduction or disclosure in any form without the prior written permission of Berg Electronics is prohibited.

BERG
ELECTRONICS

All rights reserved. Reproduction or disclosure in any form without the prior written permission of Berg Electronics is prohibited.

PRODUCT NO	PIN "X" PLACED IN POSITION																															REMARKS			
	ROW	1	2	3	4	5	6	7	8	9	10	11	12	13	14	15	16	17	18	19	20	21	22	23	24	25	26	27	28	29	30		31	32	
92325-XY1	a		X		X		X		X		X		X		X		X		X		X		X		X		X		X		X		X		X
	b																																		
	c		X		X		X		X		X		X		X		X		X		X		X		X		X		X		X		X		X
92325-XY2	a		X		X		X		X		X		X		X		X		X		X		X		X		X		X		X		X		X
	b		X		X		X		X		X		X		X		X		X		X		X		X		X		X		X		X		X
	c		X		X		X		X		X		X		X		X		X		X		X		X		X		X		X		X		X
92325-XY3	a	X	X	X	X	X	X	X	X	X	X	X	X	X	X	X	X	X	X	X	X	X	X	X	X	X	X	X	X	X	X	X	X	X	X
	b																																		
	c	X	X	X	X	X	X	X	X	X	X	X	X	X	X	X	X	X	X	X	X	X	X	X	X	X	X	X	X	X	X	X	X	X	X
92325-XY4	a	X	X	X	X	X	X	X	X	X	X	X	X	X	X	X	X	X	X	X	X	X	X	X	X	X	X	X	X	X	X	X	X	X	X
	b	X	X	X	X	X	X	X	X	X	X	X	X	X	X	X	X	X	X	X	X	X	X	X	X	X	X	X	X	X	X	X	X	X	X
	c	X	X	X	X	X	X	X	X	X	X	X	X	X	X	X	X	X	X	X	X	X	X	X	X	X	X	X	X	X	X	X	X	X	X
92325-XY5	a	X	X	X	X	X	X	X	X	X	X	X	X	X	X	X	X	X	X	X	X	X	X	X	X	X	X	X	X	X	X	X	X	X	X
	b	X	X	X	X	X	X	X	X	X	X	X	X	X	X	X	X	X	X	X	X	X	X	X	X	X	X	X	X	X	X	X	X	X	X
	c																																		

-7YZ	DIN class III	DIN class III	0.03umAu min	See note 3
-6YZ	DIN class II	DIN class II	0.03umAu min	See note 3
-5YZ	DIN class I	DIN class I	0.03umAu min	See note 3
-3YZ	DIN class III	SnPb	3-5um SnPb	
-2YZ	DIN class II	SnPb	3-5um SnPb	
-1YZ	DIN class I	SnPb	3-5um SnPb	
PLATING CODE X	CONTACT AREA FEMALE PART	CONTACT AREA S	AREA T	REMARKS

-X4Z	17
-X3Z	13
-X2Z	4
-X1Z	2.5
TAIL LENGTH CODE Y	DIM L

-XYZA	1.6	1.5±0.2
KINKED LEGS CODE U	PCB THICKNESS	DIM 'X'
OPTIONAL KINKED LEGS FEATURE AT THE FOUR CORNER POSITION TERMINALS		

mat'l code		tolerances unless otherwise specified		CUSTOMER COPY		BERG ELECTRONICS	
lir	ec'n no	dr	date	projection	title	product family	Backpanel
A	H30032	MVI	930118	linear	FEMALE STB		
B	H30633	MVI	930915		preloaded connector		
C	H40755	DDB	941123	angles			
D	H50764	JSA	951212	dr	M. Visschers	930118	code
E	H60003	JSA	960102	engr	M. Loman	930915	213
F	H70099	DDB	970213	chr	M. Loman	930118	sheet
				appd	M. Loman	930118	2 of -
sheet index	revision sheet			scale	A3	92325	