



FCIconnect.com

Copyright FCI

1 2 3 4 5 6

A

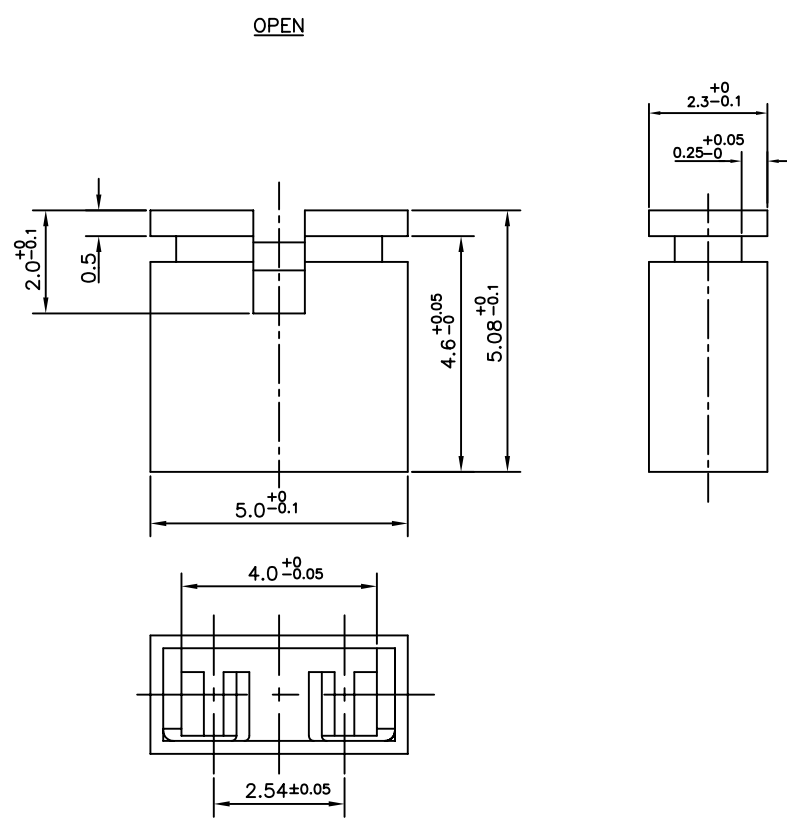
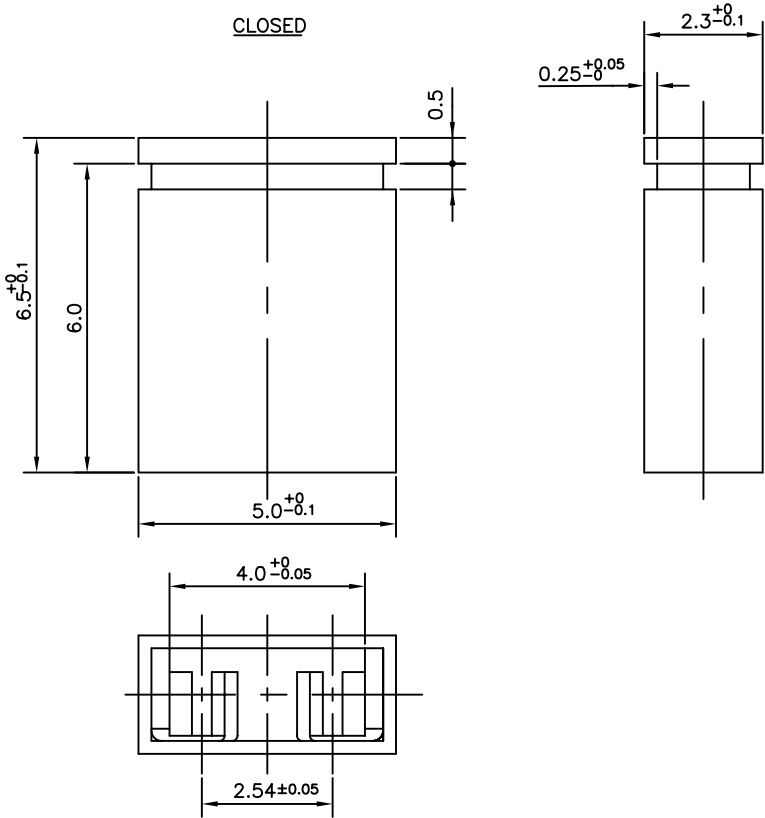
A

C

C

D

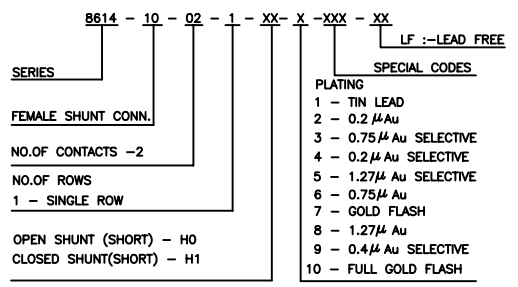
D



TECHNICAL SPECIFICATION

INSULATOR MATERIAL : SELF EXTINGUISHING THERMOPLASTIC (UL94 VO)  
 CONTACT MATERIAL : COPPER ALLOY  
 CONTACT PLATING : 0.75 μ GOLD  
 MAXIMUM VOLTAGE : 500 V rms.  
 NOMINAL CURRENT : 3A AT 20°C  
 INSULATION RESISTANCE : > 1000 MΩ  
 CLIMATIC CATAGORY : -40°C TO +100°C / 21 DAYS EXPOSURE TO-  
 INDUSTRIAL ENVIRONMENT HUMIDITY TEST AS HE-14.  
 CONTACT RESISTANCE : < 20mΩ

ORDERING INFORMATION



NOTES :  
 1. THE PRODUCT (LF) MEETS EUROPEAN UNION DIRECTIVES AND OTHER COUNTRY REGULATIONS AS DESCRIBED IN GS-22-008

mat'l. code		SEE SPEC		surface	ISO 1302	tolerance	ISO 406 ISO 1101	projection	product family	8614	
ltr	ecn no	dr	date	tolerances unless otherwise specified					title		
B	106-0129	AB	2006-07-22	angles	linear	0±0.1		MM	FEMALE SHORTING PLUG (CLOSED & OPEN)		
				0°±1°			scale	dwg no		sheet 1 of 1	
				dr	MINI K VANDANATH	1998-11-25			C-8614-0022		size
				enrg	SHAGY.G	1998-11-25			A3		
				chr	ALEX BABU	2006-07-22					
				appd	BIJU K P	2006-07-22					
sheet index	revision sheet	A	B								
		1	1								