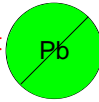


This component is RoHS compliant



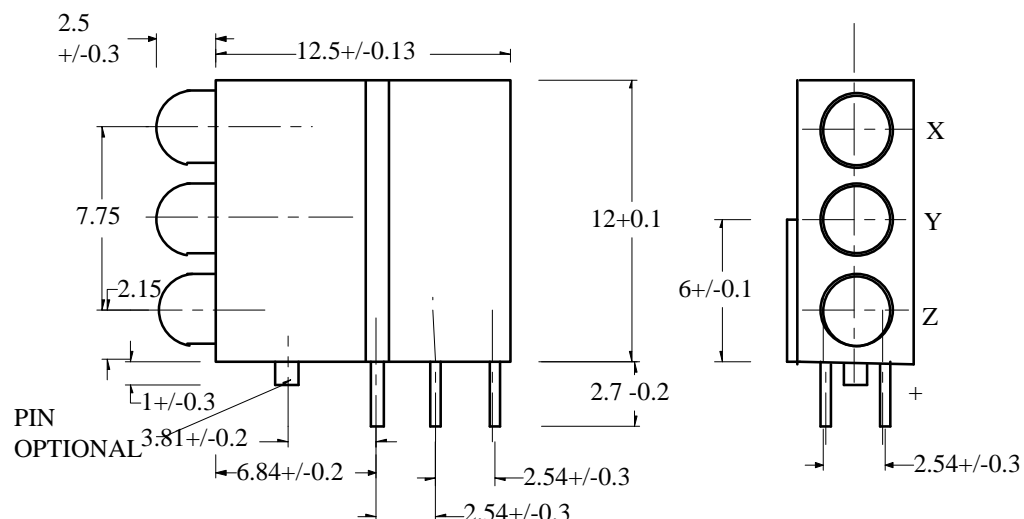
ORT33 SERIES 3 Tier 3mm LED ASSEMBLY

The ORT33 series is a family of display devices using a Black Nylon 6 VO rated housing with locating pin to mount three 3mm LEDs at right angles to a PCB. The pin out is in line on 0.1”.

- Accurate alignment of LEDs.
- Low current and high brightness available.
- Flashing LEDs available
- Locating pin optional
- Bi-Colour available.



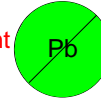
MECHANICAL DATA



BEDFORD OPTO TECHNOLOGY LTD
1,BIGGAR BUSINESS PARK, BIGGAR,LANARKSHIRE, ML12 6FX
Tel: +44 (0) 1899 221221 Fax: +44 (0) 1899 221009
Website: bot.co.uk E-mail: bill@bot.co.uk

ABSOLUTE MAXIMUM RATINGS (T_A = 25°C)

This component is RoHS compliant



ORT33

Parameter	Red	Green	Yellow	Orange	Flashing Red
Forward Current	15mA	30mA	20mA	30mA	40mA
Power Dissipation	40mW	100mW	60mW	100mW	35mW
Reverse Current @ 5V	10uA	10uA	10uA	10uA	10uA
Operating Temperature	-40°C to +85°C				
Storage Temperature	-40°C to 100°C				
Lead Soldering Temperature for 5sec (2.0mm from Body)	260°C				

OPTO ELECTRONIC DATA (T_a = 25°C)

COLOUR		Luminous Intensity I _f = 10mA mcd	Peak Wave-length nm	Viewing Angle Degrees	Forward Voltage I _f = 20mA volts
RED	min	2.0	-	-	1.7
	typ	4.2	697	50	-
YELLOW	min	7.5	-	-	1.7
	typ	12	585	50	-
GREEN	min	9.0	-	-	1.7
	typ	15	565	50	-
	ma	-	-	-	2.8
ORANGE	min	7.5	-	-	1.7
	typ	12	635	50	-
	ma	-	-	-	2.8
FLASHING RED	Min Typ ma	25 @25mA	635	50	Pulse rate Hz V _{dd} =5volts 2.4typ 2.8max

ORDERING INFORMATION

ORT 33XYZ X = Top LED Y = Middle LED Z = Bottom LED

Indicate colour by using

R = Red

Y = Yellow

O = Orange

G = Green

Available on request ..BC = Red/Green Bi-Colour. [also Blue/white]

B = Blank

FR=Flashing Red

BEDFORD OPTO TECHNOLOGY LTD

1,BIGGAR BUSINESS PARK, BIGGAR,LANARKSHIRE, ML12 6FX

Tel: +44 (0) 1899 221221 Fax: +44 (0) 1899 221009

Website: bot.co.uk E-mail: bill@bot.co.uk

14.3.06 ISS C