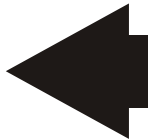
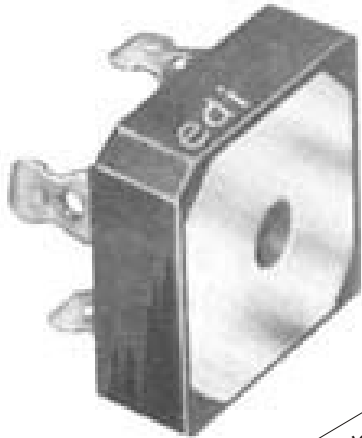


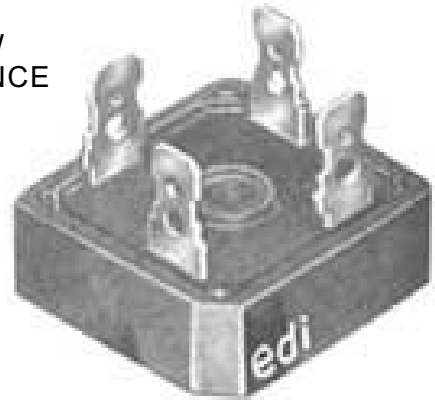


PI

MINIBRIDGE®
25,40,50 and 60 AMPERE BRIDGE RECTIFIERS



INTEGRALLY MOLDED
HEAT SINKS
PROVIDE VERY LOW
THERMAL RESISTANCE



 This mark indicates recognition under the component program of Underwriters Laboratories, inc.

	50 VOLTS	100 VOLTS	200 VOLTS	400 VOLTS	600 VOLTS	800 VOLTS	1000 VOLTS	1200 VOLTS
25 AMPS	VPI 2505	VPI 2510	VPI 2520	VPI 2540	VPI 2560	VPI 2580	VPI 25100	VPI 25120
40 AMPS	FPI 4005	FPI 4010	FPI 4020	FPI 4040	FPI 4060	FPI 4080	FPI 40100	FPI 40120
40 AMPS	MPI 4005	MPI 4010	MPI 4020	MPI 4040	MPI 4060	MPI 4080	MPI 40100	MPI 40120
50 AMPS	MPI 5005	MPI 5010	MPI 5020	MPI 5040	MPI 5060	MPI 5080	MPI 50100	MPI 50120
50 AMPS	UPI 5005	UPI 5010	UPI 5020	UPI 5040	UPI 5060	UPI 5080	UPI 50100	UPI 50120
50 AMPS	KPI 5005	KPI 5010	KPI 5020	KPI 5040	KPI 5060	KPI 5080	KPI 50100	KPI 50120
60 AMPS	UPI 6005	UPI 6010	UPI 6020	UPI 6040	UPI 6060	UPI 6080	UPI 60100	UPI 60120
60 AMPS	KPI 6005	KPI 6010	KPI 6020	KPI 6040	KPI 6060	KPI 6080	KPI 60100	KPI 60120

NOTES: These bridges are also available in fast recovery and in positive and negative center tap and in doubler configurations. Consult Factory.

ELECTRICAL CHARACTERISTICS PER LEG
(at $T_A=25^\circ\text{C}$ Unless Otherwise Specified)

SERIES DESIGNATIONS

	VPI 25	FPI 40	MPI 40	MPI 50	UPI 50	KPI 50	UPI 60	KPI 60	
Average Forward Current, $I_{F(AV)}$ TC 55°C See Figure 3	25	40	40	50	50	50	60	60	AMPS.
Max. Peak Surge Current, I_{FSM} (8.3ms) See Figure 2	300	300	400	400	1000	1200	1000	1200	AMPS.
Max. Instantaneous Forward Voltage Drop $V_F=1.2\text{V}$ @ I_F = Pulse Test: Pulse Width $<300\mu\text{s}$ Duty cycle $<2.0\%$	12	20	35	60	80	80	80	80	AMPS.
Max. D.C. Reverse Current @ PRV and 25°C , I_R	10	10	10	10	10	10	10	10	μA
Max. D.C. Reverse Current @ PRV and 100°C , I_R	100	100	100	100	100	100	100	100	μA
Thermal Resistance (Total Bridge), $R_{\theta j-c}$	2.5	1.2	1.2	1.0	1.0	1.0	1.0	1.0	$^\circ\text{C/W}$
Storage Temperature Range, T_{STG}	-55 to $+175^\circ\text{C}$								

EDI reserves the right to change these specifications at any time without notice

Figure 2
NON-REPETITIVE SURGE CURRENT

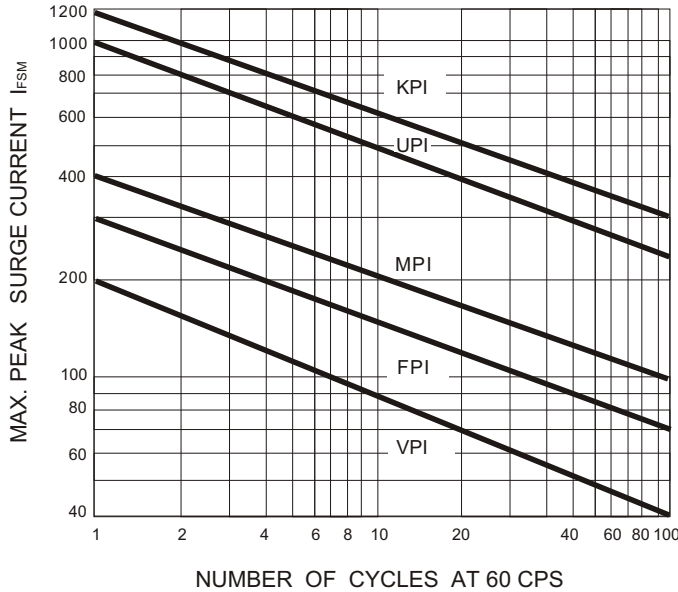
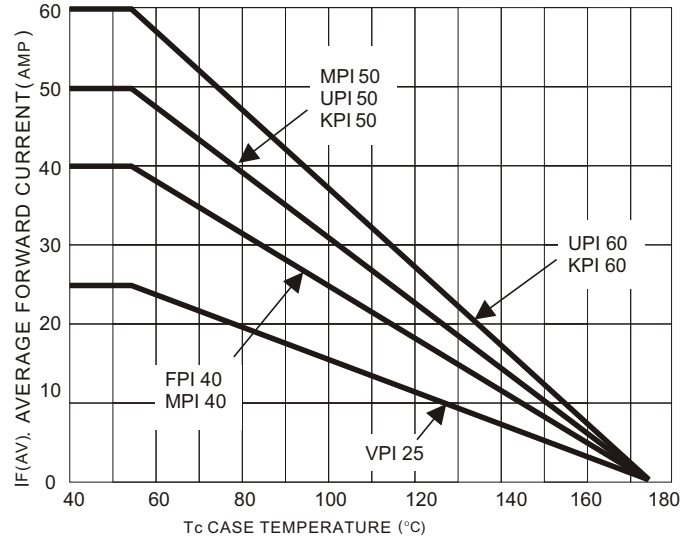


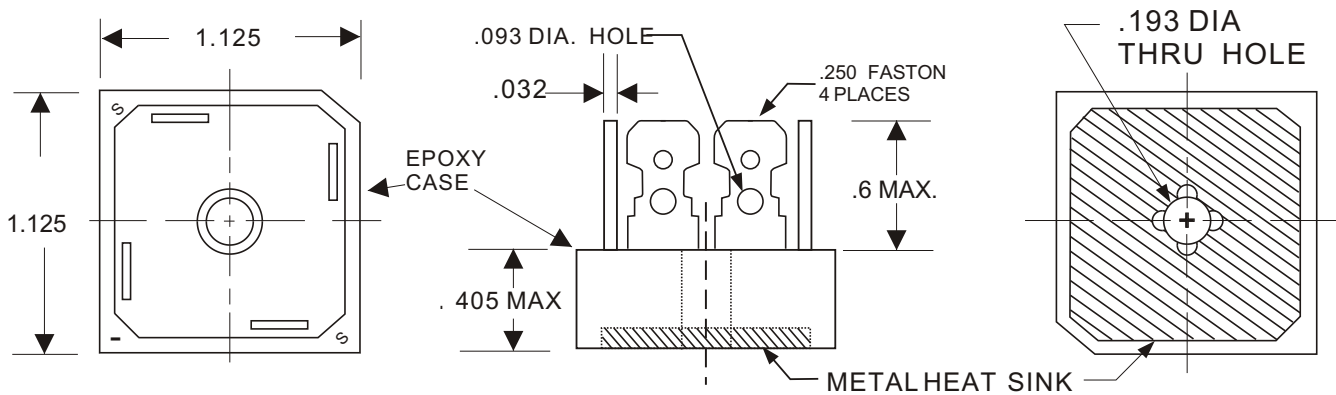
Figure 3
CURRENT DERATING



NOTE: For large capacitive load derate by up to 20%

PI SERIES MECHANICAL OUTLINE

Dielectric test voltage 2,500 volts rms, max. 50-60Hz



- NOTES:
1. Corrosion resistant terminals designed for .250 female quick connector, wrap around or solder.
 2. A thin film of silicone thermal compound is recommended between the Minibridge® case and mounting surface for improved thermal conduction.