

FEATURES AND SPECIFICATIONS

Features and Benefits

- Sizes 4 to 50 circuits
- End-to-end stackable
- Optional voided pin version, kinked PC tail and other PC tail lengths
- Surface Mount Compatible

Reference Information

Product Specification: PS-87049
 Packaging: Bag
 UL File No.: E29179
 CSA File No.: LR19980-182
 Mates With: Milli-Grid 2.00mm Receptacles
 Designed In: Millimeters

Electrical

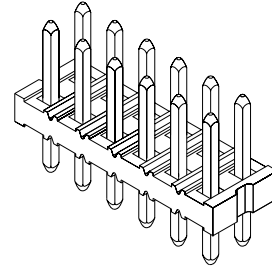
Current: 2.0A
 Dielectric Withstanding Voltage: 500V
 Insulation Resistance: 1000 MΩ min.

Physical

Housing: High-temperature 4/6 nylon, UL 94V-0
 Contact: Phosphor Bronze, 0.50mm square
 Plating: See Table
 Operating Temperature: -55 to +105°C
 PCB Thickness: 1.60 ± 0.10mm

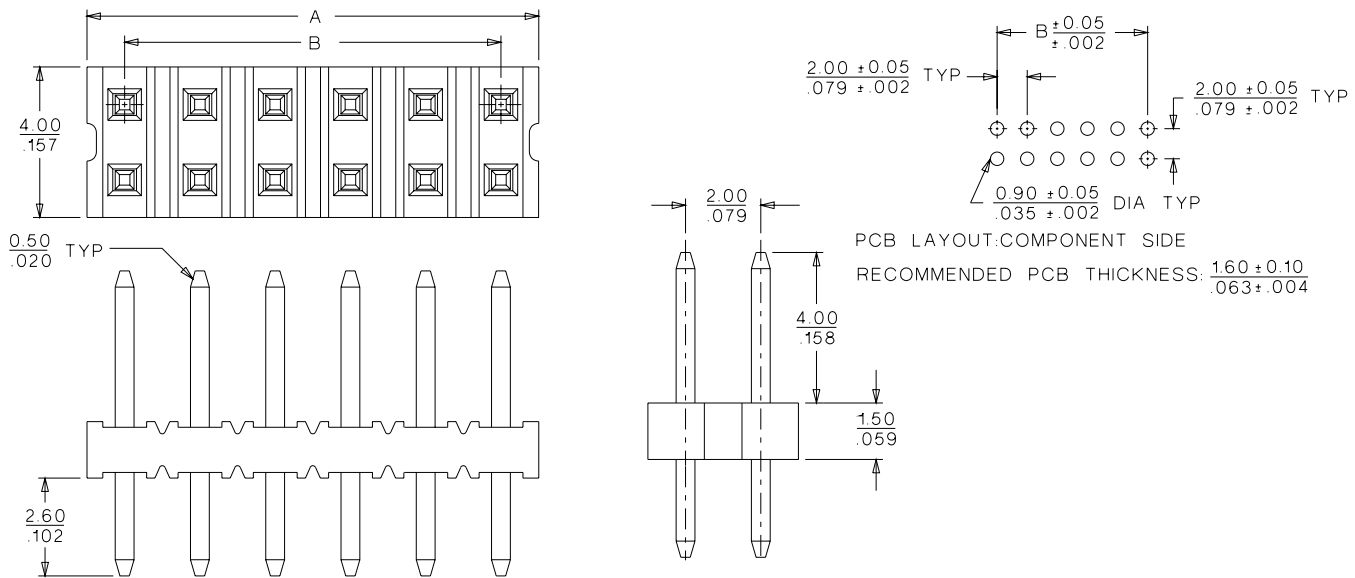
molex® 2.00mm (.079") Pitch Milli-Grid™ Header

87089 Vertical



2.00 to 2.50mm (.079 to .098") Pitch

CATALOG DRAWING (FOR REFERENCE ONLY)



ORDERING INFORMATION AND DIMENSIONS

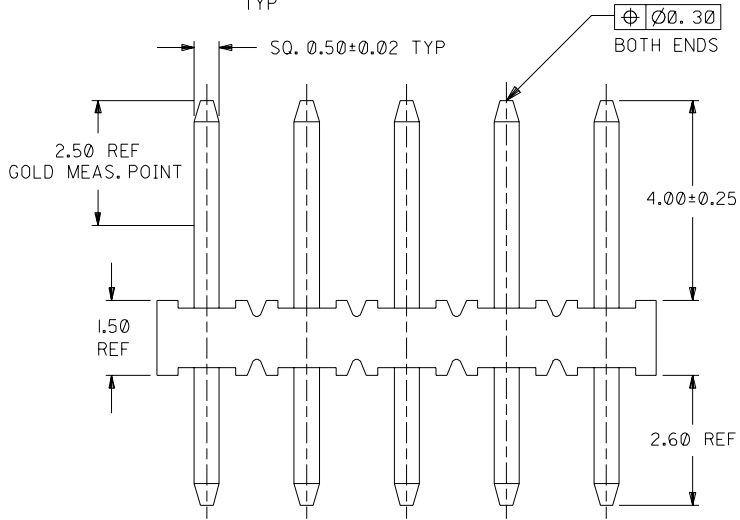
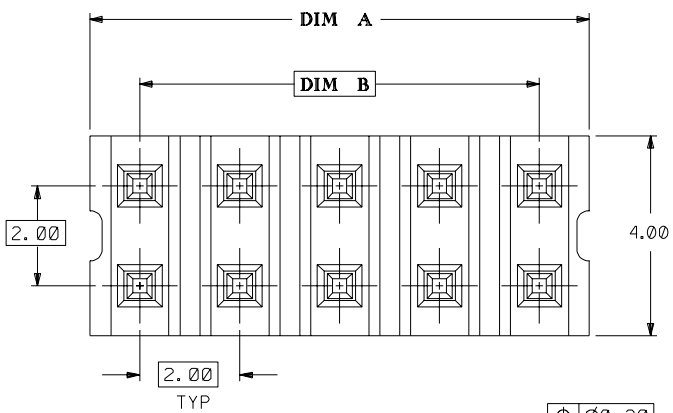
Circuits	Order No.		Dimension	
	15μ" Select Gold	30μ" Select Gold	A	B
4	87089-0416	87089-0417	3.90 (.154)	2.00 (.079)
6	87089-0616	87089-0617	5.90 (.232)	4.00 (.157)
8	87089-0816	87089-0817	7.90 (.311)	6.00 (.236)
10	87089-1016	87089-1017	9.90 (.390)	8.00 (.315)
12	87089-1216	87089-1217	11.90 (.469)	10.00 (.394)
14	87089-1416	87089-1417	13.90 (.547)	12.00 (.472)
16	87089-1616	87089-1617	15.90 (.626)	14.00 (.551)
18	87089-1816	87089-1817	17.90 (.705)	16.00 (.630)
20	87089-2016	87089-2017	19.90 (.783)	18.00 (.709)
22	87089-2216	87089-2217	21.90 (.862)	20.00 (.787)
24	87089-2416	87089-2417	23.90 (.941)	22.00 (.866)
26	87089-2616	87089-2617	25.90 (1.020)	24.00 (.945)

Circuits	Order No.		Dimension	
	15μ" Select Gold	30μ" Select Gold	A	B
28	87089-2816	87089-2817	27.90 (1.098)	26.00 (1.024)
30	87089-3016	87089-3017	29.90 (1.177)	28.00 (1.102)
32	87089-3216	87089-3217	31.90 (1.256)	30.00 (1.181)
34	87089-3416	87089-3417	33.90 (1.335)	32.00 (1.260)
36	87089-3616	87089-3617	35.90 (1.413)	34.00 (1.339)
38	87089-3816	87089-3817	37.90 (1.492)	36.00 (1.417)
40	87089-4016	87089-4017	39.90 (1.571)	38.00 (1.496)
42	87089-4216	87089-4217	41.90 (1.650)	40.00 (1.575)
44	87089-4416	87089-4417	43.90 (1.728)	42.00 (1.654)
46	87089-4616	87089-4617	45.90 (1.807)	44.00 (1.732)
48	87089-4816	87089-4817	47.90 (1.886)	46.00 (1.811)
50	87089-5016	87089-5017	49.90 (1.965)	48.00 (1.890)

DWG. NO. SD_87089-**-**16

CAD FILE SS8708916.DGN

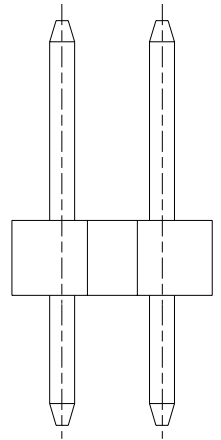
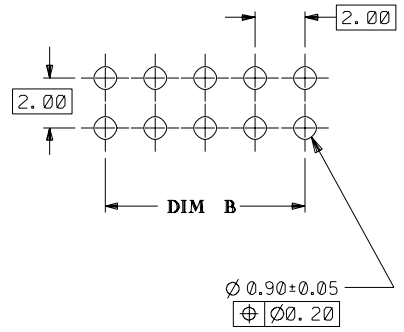
DO NOT SCALE DRAWING



PART NUMBER LEGEND

87089 - * * * *
 CKT SIZE PLATING
 16 (SEE NOTE 4)
 17

RECOMMENDED PCB PATTERN
 (SCALE 5:1)



PART NO.	CKT SIZE	DIM A	DIM B
87089-02**	2	NA	NA
87089-04**	4	3.90	2.00
87089-06**	6	5.90	4.00
87089-08**	8	7.90	6.00
87089-10**	10	9.90	8.00
87089-12**	12	11.90	10.00
87089-14**	14	13.90	12.00
87089-16**	16	15.90	14.00
87089-18**	18	17.90	16.00
87089-20**	20	19.90	18.00
87089-22**	22	21.90	20.00
87089-24**	24	23.90	22.00
87089-26**	26	25.90	24.00
87089-28**	28	27.90	26.00
87089-30**	30	29.90	28.00
87089-32**	32	31.90	30.00
87089-34**	34	33.90	32.00
87089-36**	36	35.90	34.00
87089-38**	38	37.90	36.00
87089-40**	40	39.90	38.00
87089-42**	42	41.90	40.00
87089-44**	44	43.90	42.00
87089-46**	46	45.90	44.00
87089-48**	48	47.90	46.00
87089-50**	50	49.90	48.00

NOTES:

- 4 & 6 CKT SIZE ARE MADE BY BREAKING ASSEMBLY P/N 87089-081* AND P/N 87089-121* INTO HALVES RESPECTIVELY. BREAK-AWAY PROFILES ARE EXPECTED TO BE IRREGULAR.
- 2 CKT SIZE ARE MADE BY BREAKING LARGER ASSEMBLY P/N, THE CUT PROFILES ARE IRREGULAR AND UNDEFINED.
- 10 CIRCUIT SIZE SHOWN FOR ILLUSTRATION ONLY. SEE CHART FOR AVAILABLE PART SIZES.
- PLATING FINISH :
 16 - 0.38um/15uin MIN. GOLD SELECTIVE AREA
 1.90um/75uin MIN. TIN/LEAD IN SELECTED AREA OVER
 1.27um/50uin MIN. NICKEL OVERALL
 17 - 0.76um/30uin MIN. GOLD SELECTIVE AREA
 1.90um/75uin MIN. TIN/LEAD IN SELECTED AREA OVER
 1.27um/50uin MIN. NICKEL OVERALL
- PRODUCT SPECIFICATION PS-87049 APPLIES
- RECOMMENDED PC BOARD THICKNESS IS 1.60 ± 0.10mm. mm

SHT	1	2
REV	E3	E3

				MATERIAL : 30% G.F. NYLON 46, 94V-0 ,COLOR-BLACK		MOLEX SINGAPORE PTE LTD SHEET 1 OF 2	
				PIN: 0.50mm SQ. PHOSPHOR BRONZE 510			
E3	ADD T/R OPT. (SHT 2) AS PER 97-01-0142 FOR MOLEX INC.	S70422	SEE	970224	FINISH :		GENERAL TOLERANCES ± 0.20/0.008 DWG. NO.: SD187089-**-16
E2	ADD 2 CKT SIZE	S60168	SEE	GMS 950929	SEE NOTE 3		
E1	REVISED HOUSING MAT'L	S40030	JACK	LING 930814			
LTR	REVISION RECORD	ECN	DR	CHK	DATE	DRAWN BY SUSAN KOH 890801	CHK'D BY J. KACHLIC 890802
REVISE ONLY ON CAD SYSTEM						APPR'D BY R. WONG 890803	SCALE 10 : 1
						TITLE : "MILLI-GRID" 2mm DUAL ROW VERTICAL HEADER	

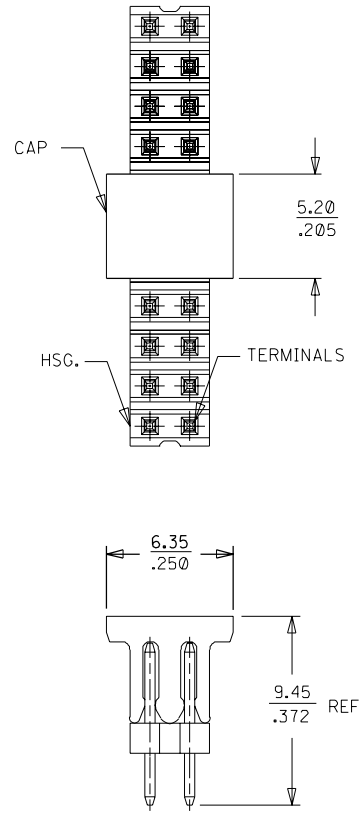
DWG. NO. SD 87089-***16

CAD FILE S08916B.DGN

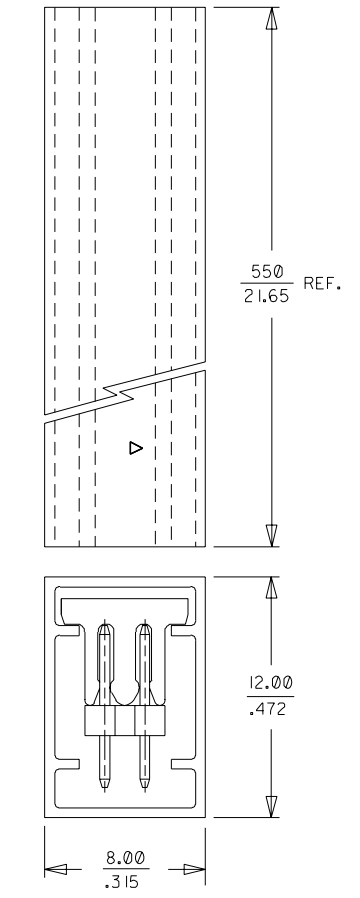
▽

DO NOT SCALE DRAWING

PART WITH CAP
(22 CKT SHOWN)
(SCALE 4:1)

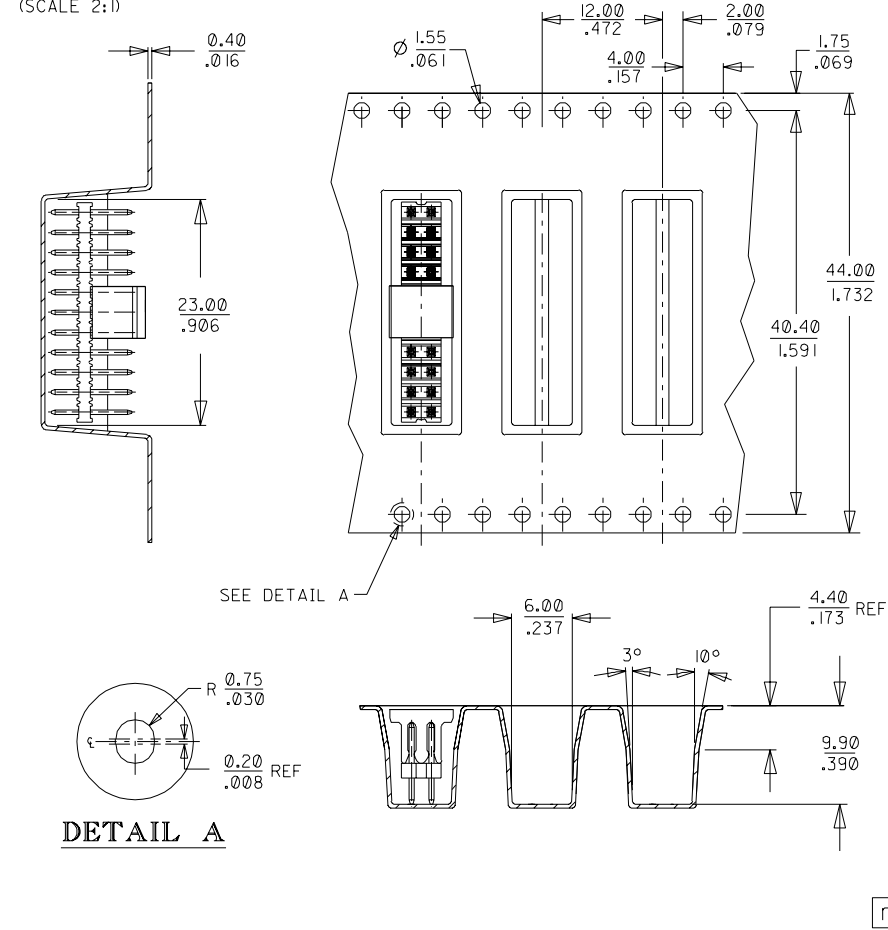


WITH CAP IN TUBE
(22 CKT SHOWN FOR MOLEX INC.)
(SCALE 4:1)



PART NO.
WITH CAP IN TUBE
87089-5126

EMBOSSED CARRIER TAPE 'A'
(22 CKT SHOWN, FOR MOLEX INC.)
(SCALE 2:1)



PART NO.
WITH CAP IN TAPE/REEL
87089-5111

				MATERIAL : 30% G.F. NYLON 46, 94V-0 ,COLOR-BLACK		MOLEX SINGAPORE PTE LTD SHEET 2 OF 2		
				FINISH : SEE NOTE 3				
E3 ADD T/R OPT. (SHT 2) AS PER 97-01-0142 FOR MOLEX INC.				ECN S70422	SEE 970224	GENERAL TOLERANCES ± 0.20/.008 DWG. NO. SD 87089-***16 REV E3		
LTR	REVISION RECORD	ECN	DR	CHK	DATE	DRAWN BY SUSAN KOH 890801	CHK'D BY J. KACHLIC 890802	TITLE : "MILLI-GRID" 2mm DUAL ROW VERTICAL HEADER
REVISE ONLY ON CAD SYSTEM						APPR'D BY R. WONG 890803	SCALE 2 : 2	