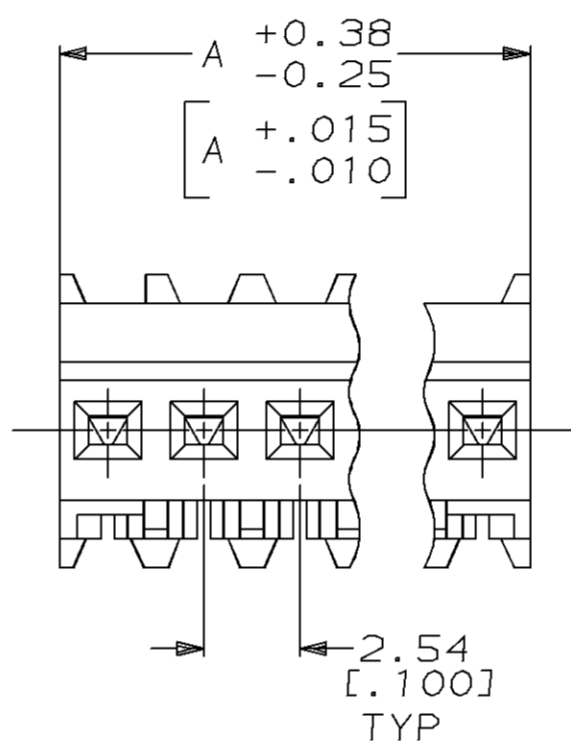
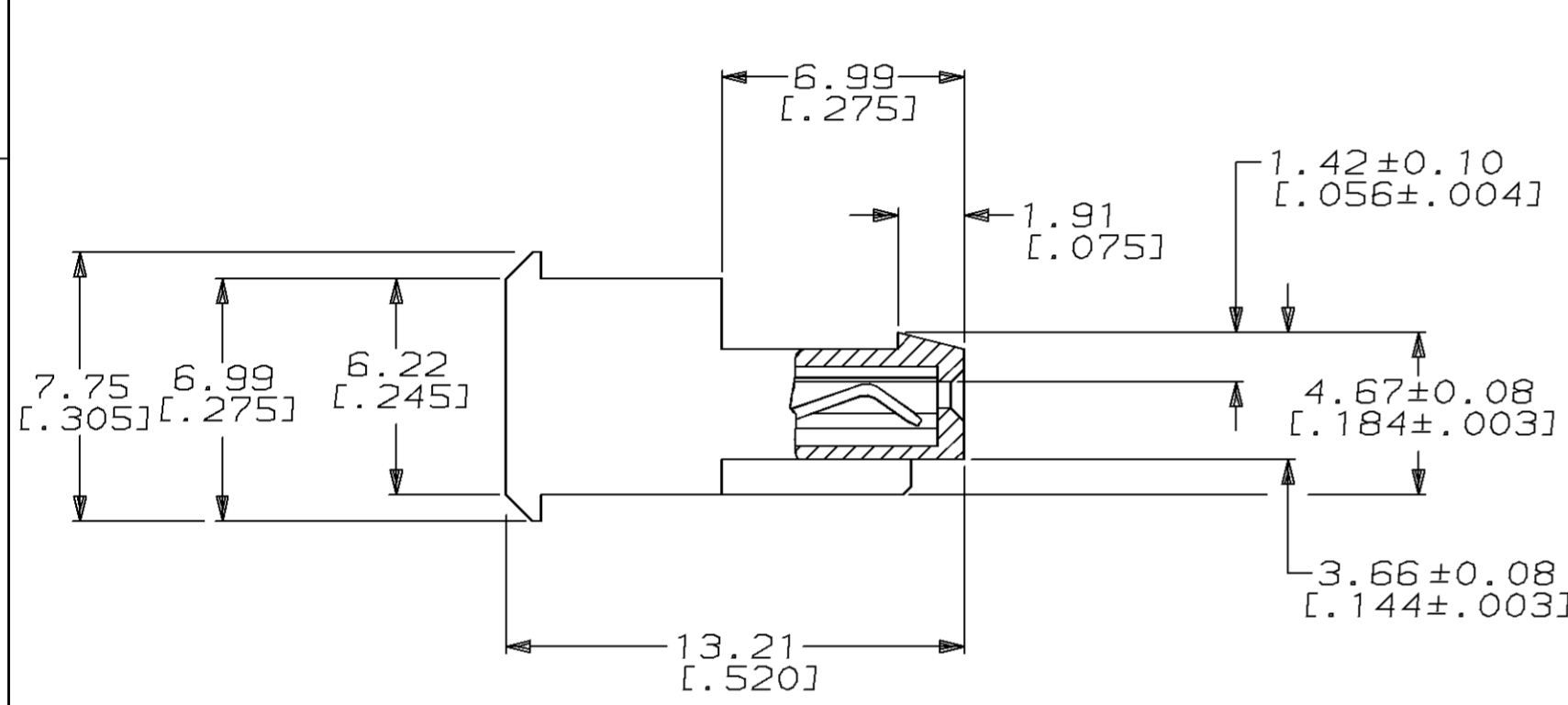
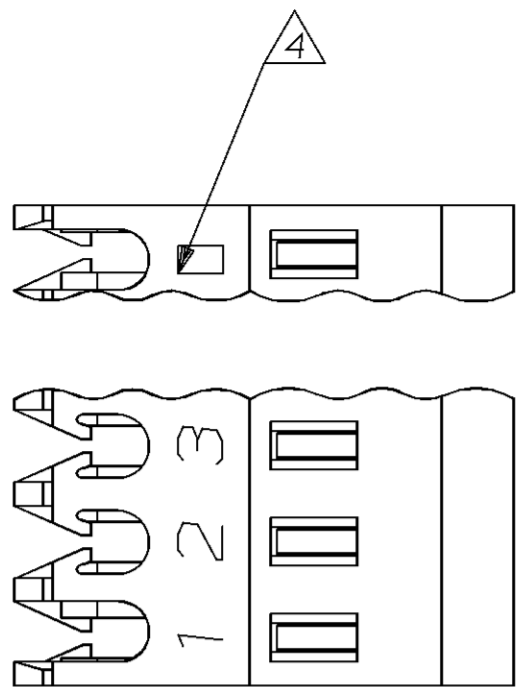


THIS DRAWING IS UNPUBLISHED. RELEASED FOR PUBLICATION ,19 .
 © COPYRIGHT 19 BY AMP INCORPORATED. ALL INTERNATIONAL RIGHTS RESERVED.

LOC	DIST	P	F	ZONE	LTR	DESCRIPTION	DATE	APPD
CM	54				M	REACT -2,-4,-5,-6,-8 THRU -19 -21,-22,-23,-25 THRU -28 PER EC 0730-0095-96	5-21-96	BL RS



71.12	[2.800]	28	2-641243-8
68.58	[2.700]	27	2-641243-7
66.04	[2.600]	26	2-641243-6
63.50	[2.500]	25	2-641243-5
60.96	[2.400]	24	2-641243-4
58.42	[2.300]	23	2-641243-3
55.88	[2.200]	22	2-641243-2
53.34	[2.100]	21	2-641243-1
50.80	[2.000]	20	2-641243-0
48.26	[1.900]	19	1-641243-9
45.72	[1.800]	18	1-641243-8
43.18	[1.700]	17	1-641243-7
40.64	[1.600]	16	1-641243-6
38.10	[1.500]	15	1-641243-5
35.56	[1.400]	14	1-641243-4
33.02	[1.300]	13	1-641243-3
30.48	[1.200]	12	1-641243-2
27.94	[1.100]	11	1-641243-1
25.40	[1.000]	10	1-641243-0
22.86	[.900]	9	641243-9
20.32	[.800]	8	641243-8
17.78	[.700]	7	641243-7
15.24	[.600]	6	641243-6
12.70	[.500]	5	641243-5
10.16	[.400]	4	641243-4
7.62	[.300]	3	641243-3
5.08	[.200]	2	641243-2

- 1 MATERIAL: CONNECTOR - NYLON UL94V-2 (BLUE).
 CONTACTS - 0.30[.012] THICK COPPER ALLOY
 (0.00076 [.000030] GOLD)
2. CONTACTS ACCEPT 26 AWG WIRE WITH 1.52[.060] MAX INSULATION DIAMETER.
3. CONTACTS MUST ACCEPT 0.64±0.03[.025±.001] SQUARE POST AND REMAIN LOCKED IN POSITION.
- 4 IDENTIFICATION NUMBER FOR LAST CIRCUIT MAY NOT APPEAR ON ALL ASSEMBLIES.
5. DIMENSIONS IN BRACKETS ARE IN INCHES.
6. HOUSING FEATURES ARE: FEED THRU WITH LOCKING RAMP.

		DIM A	NO OF CIRCUITS	PART NO
DO NOT SCALE PRINT. UNLESS SPECIFIED DIMENSIONS IN mm [INCHES] TOLERANCES ON : 2 PLC DEC ± - 3 PLC DEC ± 0.13 [.005] ANGLES ± -	DR 4-22-91 B. LEWIS CHK 4-22-91 R. SWING APPD 4-22-91 G. MILLER	AMP AMP Incorporated Harrisburg, PA 17105-3608 NAME MTA-100 CONNECTOR ASSEMBLY, 26 AWG, STANDARD		
MATERIAL	APPD 4-22-91 G. MILLER PRODUCT SPEC 108-1050			
FINISH	APPLICATION SPEC 114-1019	SIZE C	CAGE CODE 00779	DRAWING NO 641243
	WEIGHT -	SCALE 5:1		SHEET 1 OF 1

