

T-23-05

RECTIFIERS

Glass Passivated Bridge Rectifiers

Operating/Storage Temperature Range -65°C to $+175^{\circ}\text{C}$

Type	Maximum Peak Reverse Voltage	Maximum Average Rectified Current @ Half-Wave Resistive Load 60Hz	Maximum Forward Peak Surge Current @ 8.3ms Superimposed	Maximum Reverse Current @ PRV @ 25°C T_A	Maximum Forward Voltage @ 25°C T_A	
	PRV V_{PK}	I_o @ T_A A_{AV} $^{\circ}\text{C}$	I_{FM} (Surge) A_{PK}	I_R μAdc	I_{FM} A_{PK}	V_{FM} V_{PK}

1.0 Ampere Glass Passivated/DB-1

DB101	50	1.0	40	50	10	1.0	1.1
DB102	100	1.0	40	50	10	1.0	1.1
DB103	200	1.0	40	50	10	1.0	1.1
DB104	400	1.0	40	50	10	1.0	1.1
DB105	600	1.0	40	50	10	1.0	1.1

NOTE: Surface Mount DB Bridge Also Available by adding SDB in place of DB.



Fast Recovery Bridges

Operating/Storage Temperature Range -65°C to $+150^{\circ}\text{C}$

Type	Maximum Peak Reverse Voltage	Maximum Average Rectified Current @ Half-Wave Resistive Load 60Hz	Maximum Forward Peak Surge Current @ 8.3ms Superimposed	Maximum Reverse Current @ PRV @ 25°C T_A	Maximum Forward Voltage @ 25°C T_A	Maximum Reverse Recovery Time
	PRV V_{PK}	I_o @ T_A A_{AV} $^{\circ}\text{C}$	I_{FM} (Surge) A_{PK}	I_R μAdc	I_{FM} A_{PK}	V_{FM} V_{PK}

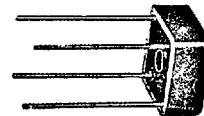
2.0 Ampere Fast Recovery/BR-8D

BR805DF	50	2.0	50	50	10	1.0	1.3	200
BR81DF	100	2.0	50	50	10	1.0	1.3	200
BR82DF	200	2.0	50	50	10	1.0	1.3	200
BR84DF	400	2.0	50	50	10	1.0	1.3	200
BR86DF	600	2.0	50	50	10	1.0	1.3	350
BR88DF	800	2.0	50	50	10	1.0	1.3	350
BR810DF	1000	2.0	50	50	10	1.0	1.3	500



3.0 Ampere Fast Recovery/PB-3

PB305F	50	3.0	*50	50	10	1.5	1.3	200
PB31F	100	3.0	*50	50	10	1.5	1.3	200
PB32F	200	3.0	*50	50	10	1.5	1.3	200
PB34F	400	3.0	*50	50	10	1.5	1.3	200
PB36F	600	3.0	*50	50	10	1.5	1.3	350



6.0 Ampere Fast Recovery/PB-6

PB605F	50	6.0	*50	125	10	3.0	1.3	200
PB61F	100	6.0	*50	125	10	3.0	1.3	200
PB62F	200	6.0	*50	125	10	3.0	1.3	200
PB64F	400	6.0	*50	125	10	3.0	1.3	200
PB66F	600	6.0	*50	125	10	3.0	1.3	350



*Heat Sink Temperature



Bridge Rectifiers

Operating/Storage Temperature Range -55°C to +150°C

Type	Maximum Peak Reverse Voltage	Maximum Average Rectified Current @ Half-Wave Resistive Load 60Hz	Maximum Forward Peak Surge Current @ 8.3ms Superimposed	Maximum Reverse Current @ PRV @ 25°C T _A	Maximum Forward Voltage @ 25°C T _A
	PRV	I _o @ T _A	I _{FM} (Surge)	I _R	V _{FM}
	V _{PK}	A _{AV} °C	A _{PK}	μA _{dc}	V _{PK}

1.0 Ampere/DB-1

DF005	50	1.0	40	50	10	1.0	1.1
DF01	100	1.0	40	50	10	1.0	1.1
DF02	200	1.0	40	50	10	1.0	1.1
DF04	400	1.0	40	50	10	1.0	1.1
DF06	600	1.0	40	50	10	1.0	1.1
DF08	800	1.0	40	50	10	1.0	1.1
DF10	1000	1.0	40	50	10	1.0	1.1



NOTE: Surface Mount DF Bidge Also Available by Adding SDF in Place of DF.

1.0 Ampere/RS-1

RS101	50	1.0	50	30	10	1.0	1.0
RS102	100	1.0	50	30	10	1.0	1.0
RS103	200	1.0	50	30	10	1.0	1.0
RS104	400	1.0	50	30	10	1.0	1.0
RS105	600	1.0	50	30	10	1.0	1.0



NOTE: Glass Passivated Version Available with Suffix "G".

1.5 Ampere/RB-15

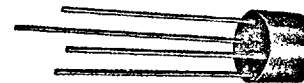
RB151	50	1.5	50	50	10	1.0	1.0
RB152	100	1.5	50	50	10	1.0	1.0
RB153	200	1.5	50	50	10	1.0	1.0
RB154	400	1.5	50	50	10	1.0	1.0
RB155	600	1.5	50	50	10	1.0	1.0
RB156	800	1.5	50	50	10	1.0	1.0
RB157	1000	1.5	50	50	10	1.0	1.0



NOTE: Glass Passivated Version Available with Suffix "G".

1.5/2.0 Ampere/Wom/Wol

W005M	50	1.5	50	50	10	1.0	1.0
W01M	100	1.5	50	50	10	1.0	1.0
W02M	200	1.5	50	50	10	1.0	1.0
W04M	400	1.5	50	50	10	1.0	1.0
W06M	600	1.5	50	50	10	1.0	1.0
W08M	800	1.5	50	50	10	1.0	1.0
W10M	1000	1.5	50	50	10	1.0	1.0
*2W005	50	2.0	50	50	10	1.0	1.0
*2W01	100	2.0	50	50	10	1.0	1.0
*2W02	200	2.0	50	50	10	1.0	1.0
*2W04	400	2.0	50	50	10	1.0	1.0
*2W06	600	2.0	50	50	10	1.0	1.0
*2W08	800	2.0	50	50	10	1.0	1.0
*2W10	1000	2.0	50	50	10	1.0	1.0

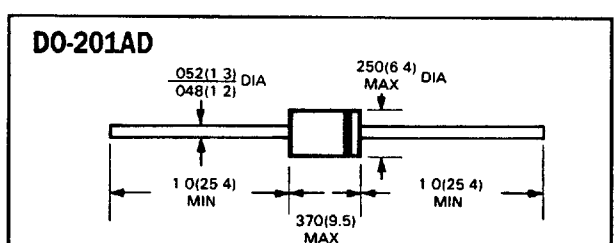
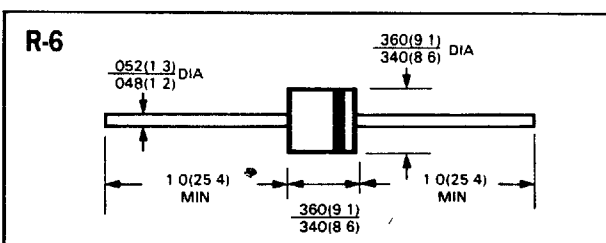
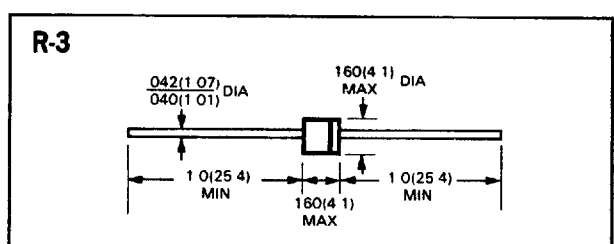
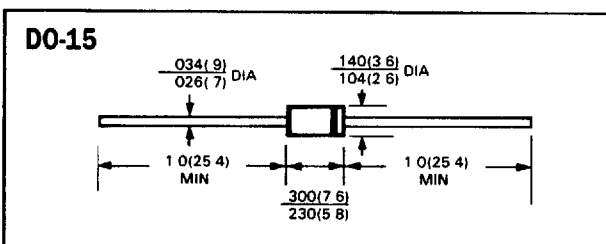
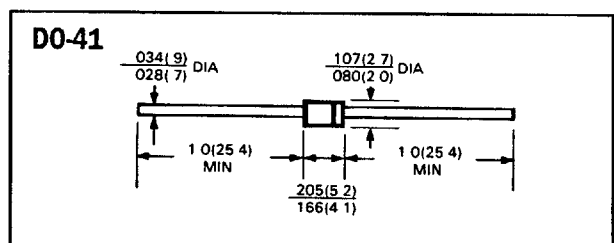
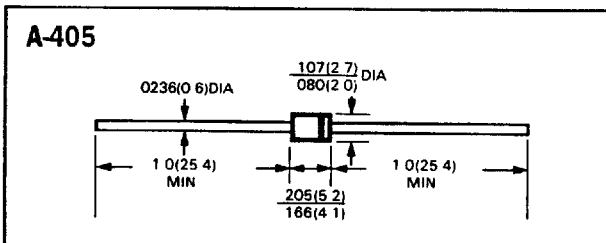
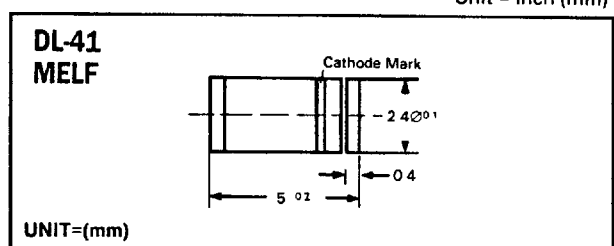
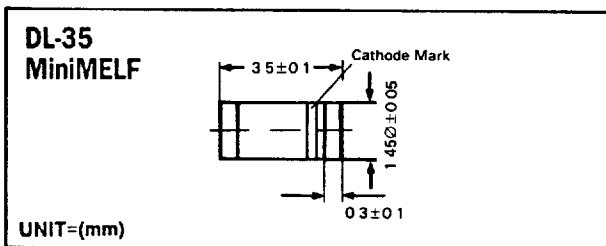


NOTE: 1. "*" WOL Package
2. Glass Passivated Version Available with Suffix "G".

RECTIFIER DIODES AND BRIDGE RECTIFIERS

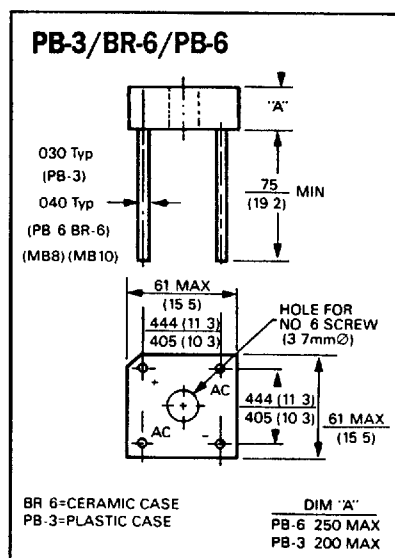
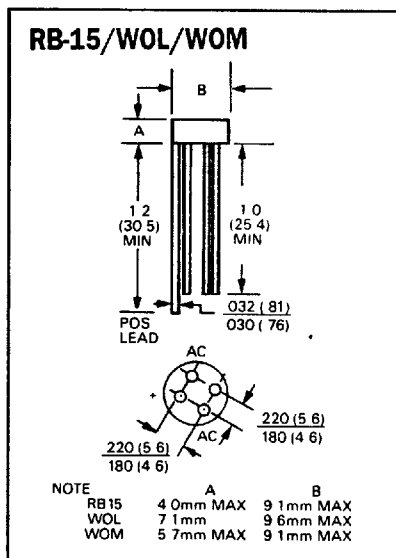
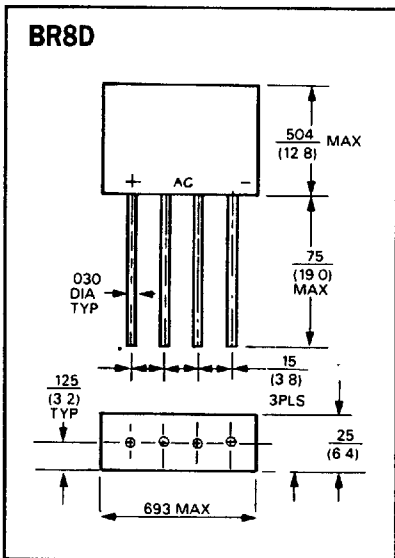
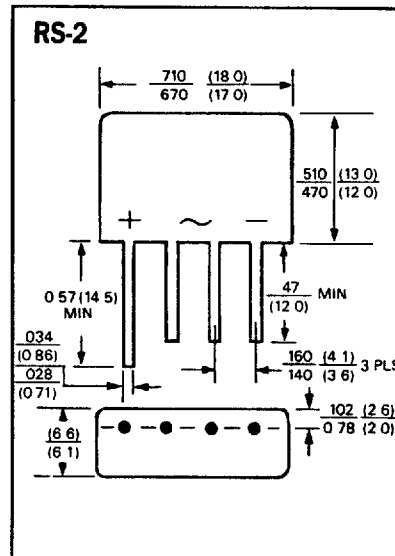
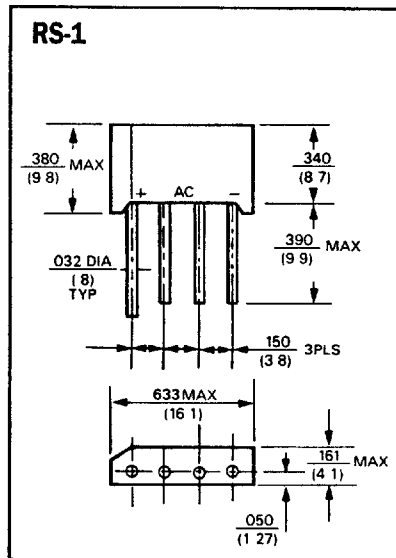
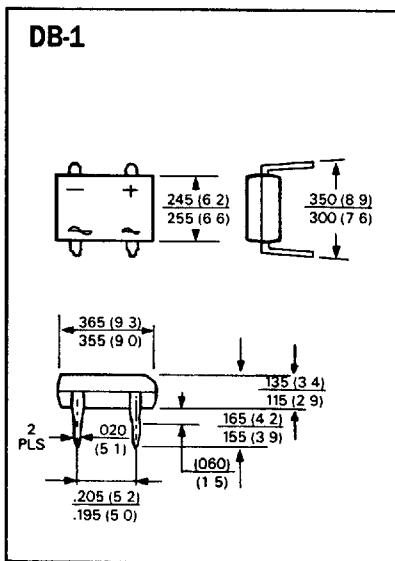
OUTLINE DRAWINGS

Unit = inch (mm)





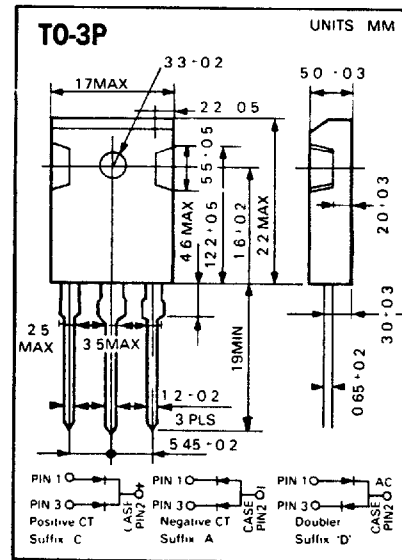
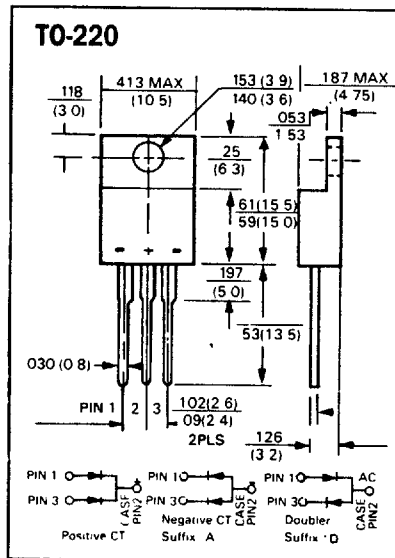
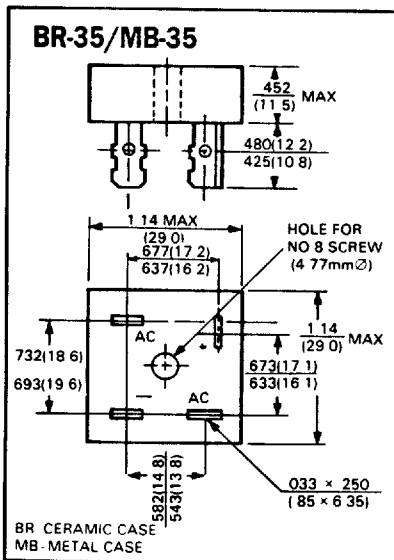
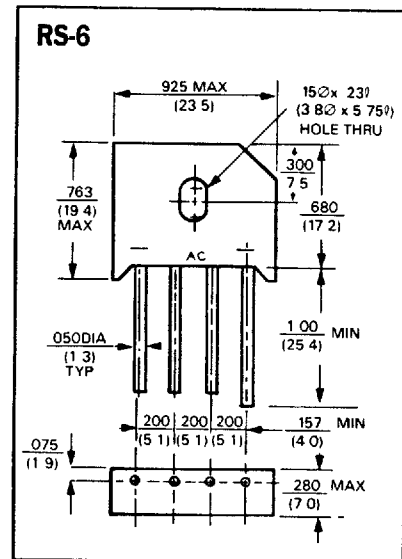
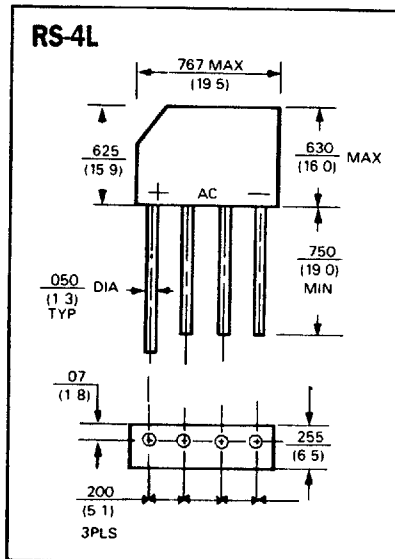
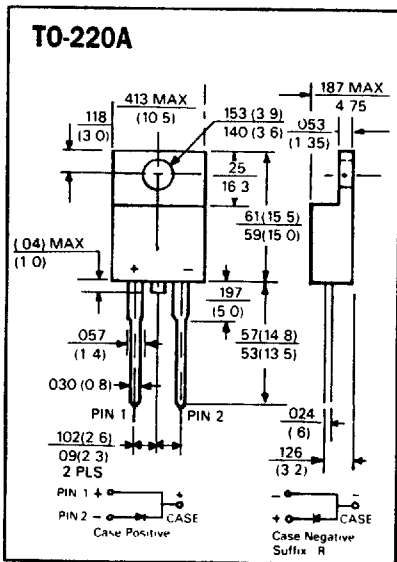
OUTLINE DRAWINGS



RECTIFIER DIODES AND BRIDGE RECTIFIERS

4

OUTLINE DRAWINGS



SEMITRON INDUSTRIES LTD

RECTIFIERS

Product Packaging Specifications

PACKAGING OF AXIAL LEAD DIODES, MELF AND MINI-MELF SURFACE MOUNT DEVICES AND TRANSISTORS

REEL PACK

OUTLINE	COMPONENT SPACE (mm)	TAPE SPACE (mm)	REEL DIA. (m/m)	QTY./REEL (each)
DO-7	5.0	52.4	330	10,000
DO-35	5.0	53	355	10,000
DO-35 (ZENER)	[RADIAL TAPING SEE FIG. 1, 2 & 3]		355	5,000
DL-35 (MINI MELF)	See Pg. 37		250/330	5,000/10,000
DL-41 (MELF)	See Pg. 37		330	5,000
A-405	5.0	52.4	330	5,000
A-500	5.0	52.4	203/254/304	1,000/2,000/3,000
DO-41	5.0	52.4	330	5,000
DO-41 (ZENER)	5.0	53	355	5,000
DO-15	5.0	52.4	330	4,000
R-3	5.0	52.4	330	3,000
DO-201AD	10.0	52.4	330	1,200
R-6	10.0	52.4	330	500
TO-92	[RADIAL TAPING SEE FIG. 4, 5 & 6]		355	2,000
TO-236/SOT-23	[SEE SPECIFICATIONS ON PG.38]		178	3,000

PACKAGING OF AXIAL LEAD DIODES AND LEADED TRANSISTORS

AMMO PACK

OUTLINE	COMPONENT SPACE (mm)	TAPE SPACE (mm)	BOX SIZE (m/m)	QTY./BOX (each)
DO-35 (SW. DIODES)	5.0	53	338/147/77	15,000
DO-35	5.0	53	255/95/85	6,000
DO-35	5.0	26	255/95/51	6,000
A-405	5.0	52.4	255/95/78	3,000
DO-41	5.0	52.4	255/95/78	3,000
DO-41	5.0	26	255/51/95	3,000
DO-41 (ZENER)	5.0	53	255/95/85	3,000
DO-41 (ZENER)	5.0	26	255/95/51	3,000
DO-15	5.0	52.4	255/95/78	2,200
R-3	5.0	52.4	255/95/78	2,000
DO-201AD	10.0	52.4	255/95/78	800
R-6	10.0	52.4	255/95/78	300
TO-92	[RADIAL TAPING, SEE FIG. 4]		340/340/45	4,000

RECTIFIER DIODES AND
BRIDGE RECTIFIERS

4

