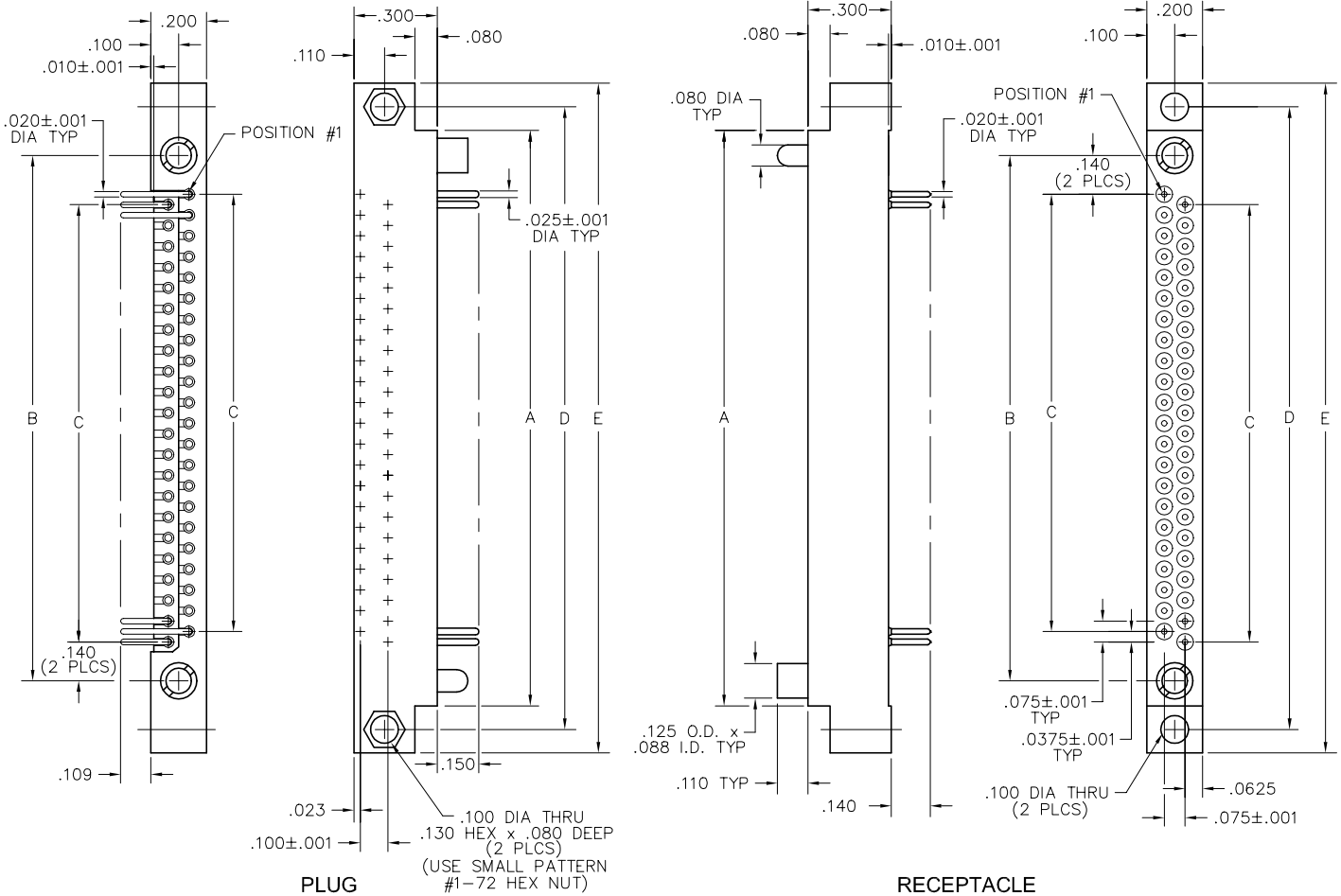
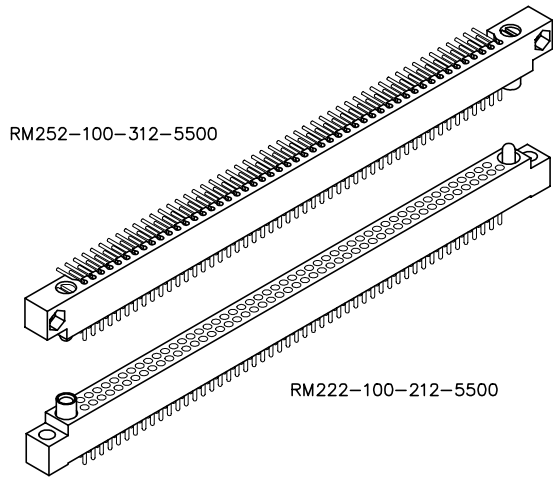


2 • ROW Daughterboard to Motherboard or Chassis

.075"

RM2

10 thru 100 Contacts



DIMENSIONS					
SIZE	A	B	C	D	E
10	.797	.617	.300	.967	1.137
20	1.172	.992	.675	1.342	1.512
30	1.547	1.367	1.050	1.717	1.887
40	1.922	1.742	1.425	2.092	2.262
50	2.297	2.117	1.800	2.467	2.637
60	2.672	2.492	2.175	2.842	3.012
70	3.047	2.867	2.550	3.217	3.387
80	3.422	3.242	2.925	3.592	3.762
90	3.797	3.617	3.300	3.967	4.137
100	4.172	3.992	3.675	4.342	4.512

PLUG: RM252-100-312-5500
 RECEPTACLE: RM222-100-212-5500
 XXXXX-XXX-XXX-XXXXXX

PLUG

RECEPTACLE

SERIES

RM .075" Screw Machine PC Connector | RM .075" Screw Machine PC Connector

BODY

2	2-Row	2	2-Row
BODY STYLE:		BODY STYLE:	
5	Plug, right angle, with mounting ears	2	Receptacle, straight with mounting ears
7	Plug, right angle, without mounting ears	4	Receptacle, straight without mounting ears
BODY MATERIAL:		BODY MATERIAL:	
2	Polyphenylene sulfide (PPS)	2	Polyphenylene sulfide (PPS)

SIZE

010, 020, 030, 040, 050, 060, 070, 080, 090, 100 | 010, 020, 030, 040, 050, 060, 070, 080, 090, 100

CONTACTS

TYPE CONTACTS/TERMINATIONS:		TYPE CONTACTS/TERMINATIONS:	
31	Pin, right angle, dip solder, .109" x .020" dia	20	Socket, straight, dip solder, .109" x .020 dia
32	Pin, right angle, dip solder, .140" x .020" dia	21	Socket, straight, dip solder, .140" x .020 dia
33	Pin, right angle, dip solder, .172" x .020" dia	22	Socket, straight, dip solder, .172" x .020 dia
34	Pin, right angle, dip solder, .109" x .016" dia	24	Socket, straight, solder cup
35	Pin, right angle, dip solder, .140" x .016" dia	25	Socket, straight, flex circuit, .093" x .017 dia
36	Pin, right angle, dip solder, .172" x .016" dia	26	Socket, straight, wire wrap®, .500" x .018 square
		27	Socket, straight, wire wrap®, .375" x .018 square
		28	Socket, straight, wire wrap®, .625" x .018 square
		29	Socket, connector saver, .150" x .025" dia
		50	Socket, straight, dip solder, .140" x .016" dia
		51	Socket, straight, dip solder, .172" x .016" dia
		53	Socket, straight, stackable, .212" x .025" dia
		54	Socket, straight, stackable, .244" x .025" dia
		55	Socket, straight, stackable, .275" x .025" dia
		64	Socket, straight, press fit, .203" (Board .093"-.125" thk)
		65	Socket, straight, press fit, .323" (Board .156"-.200" thk)
		66	Socket, straight, press fit, .403" (Board .250"+ thk)

PLATING OPTIONS:		PLATING OPTIONS:	
1	Gold plated termination	1	Gold plated termination
2	Pre-tinned termination	2	Pre-tinned termination (except solder cup, flex or wire wrap®)

HARDWARE

STYLE OF HARDWARE: (See R-41 & R-42 for all options)		STYLE OF HARDWARE: (See R-41 & R-42 for all options)	
0256	None	0256	None
55	Guide set	55	Guide set
57	Two guide pins	57	Two guide pins
58	Two guide sockets	58	Two guide sockets
29	Fixed jackset	29	Fixed jackset
30	Fixed jackset, reversed	30	Fixed jackset, reversed
19	Two fixed jackscrews	19	Two fixed jackscrews
20	Two fixed jacksockets	20	Two fixed jacksockets
59	Hex turning jackset, .200"	59	Hex turning jackset, .200"
60	Hex turning jackset, reversed, .200"	60	Hex turning jackset, reversed, .200"
61	Two hex turning jackscrews, .200"	61	Two hex turning jackscrews, .200"
62	Two hex turning jacksockets, .200"	62	Two hex turning jacksockets, .200"
64	Turning jackset, .490"	64	Turning jackset, .490"
65	Turning jackset, reversed, .490"	65	Turning jackset, reversed, .490"
66	Two turning jackscrews, .490"	66	Two turning jackscrews, .490"
67	Two turning jacksockets, .490"	67	Two turning jacksockets, .490"

POLARIZATION:		POLARIZATION	
00	None	00	None
01	thru 68 are special identifiers, see R-38	01	thru 68 are special identifiers, see R-38
70	Same configuration as 01 without Loctite® (To be keyed by customer)	70	Same configuration as 01 without Loctite® (To be keyed by customer)

OPTIONS

BN Bond #1-72 small pattern hex nuts into mounting ears |

2 • ROW

Right Angle PTH Plug Straight PTH Plug

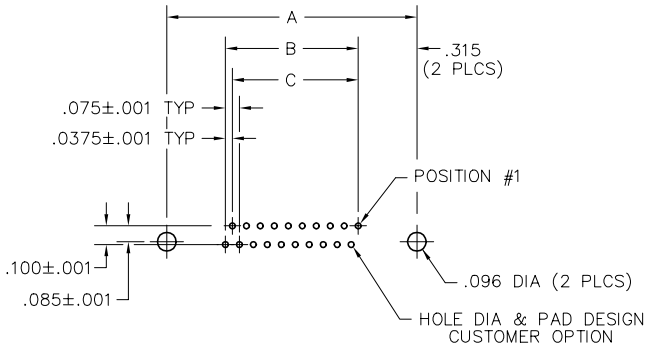
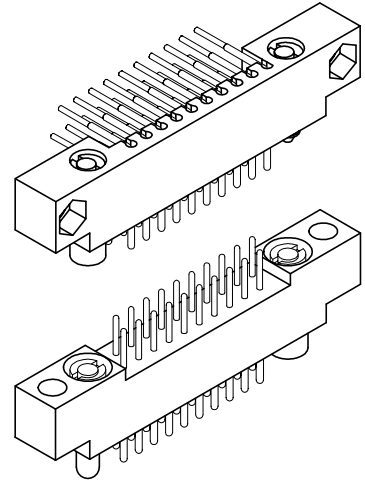
.075"

RM2

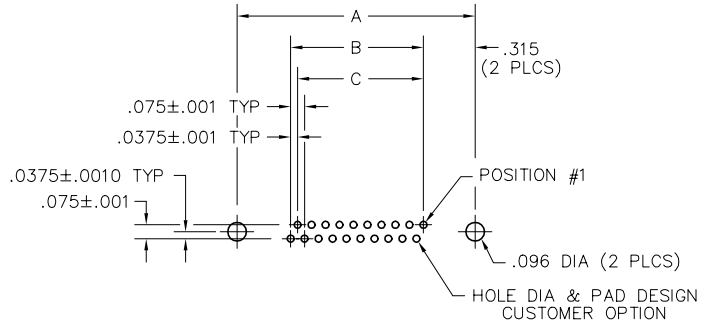
10 thru 100 Contacts

Recommended
Board Layout

DIMENSIONS			
SIZE	A	B	C
10	.967	.337	.300
20	1.342	.712	.675
30	1.717	1.087	1.050
40	2.092	1.462	1.425
50	2.467	1.837	1.800
60	2.842	2.212	2.175
70	3.217	2.587	2.550
80	3.592	2.962	2.925
90	3.967	3.337	3.300
100	4.342	3.712	3.675

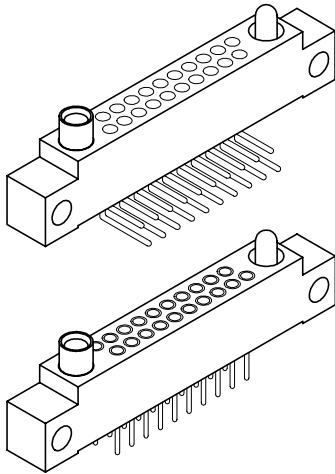


RIGHT ANGLE PTH PLUG
PC BOARD VIEWED FROM COMPONENT SIDE



STRAIGHT PTH PLUG
PC BOARD VIEWED FROM COMPONENT SIDE

SIZE	CONTACT ID	SIZE	CONTACT ID
10		60	
20		70	
30		80	
40		90	
50		100	



DIMENSIONS			
SIZE	A	B	C
10	.967	.337	.300
20	1.342	.712	.675
30	1.717	1.087	1.050
40	2.092	1.462	1.425
50	2.467	1.837	1.800
60	2.842	2.212	2.175
70	3.217	2.587	2.550
80	3.592	2.962	2.925
90	3.967	3.337	3.300
100	4.342	3.712	3.675

2 • ROW

Right Angle PTH Rcpt

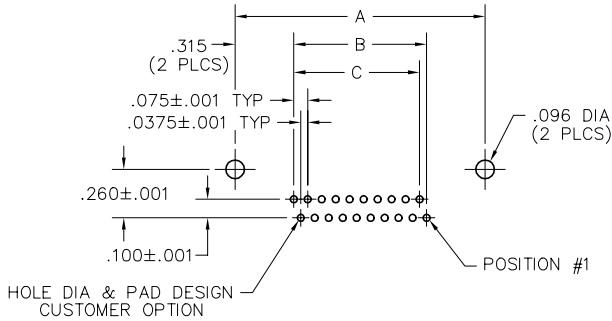
Straight PTH Rcpt

.075"

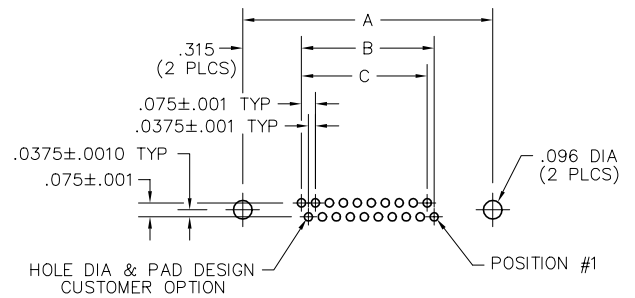
RM2

10 thru 100 Contacts

Recommended
Board Layout



RIGHT ANGLE PTH RECEPTACLE
PC BOARD VIEWED FROM COMPONENT SIDE



STRAIGHT PTH RECEPTACLE
PC BOARD VIEWED FROM COMPONENT SIDE

SIZE	CONTACT ID	SIZE	CONTACT ID
10		60	
20		70	
30		80	
40		90	
50		100	