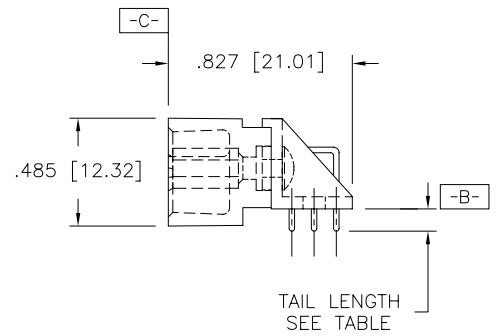
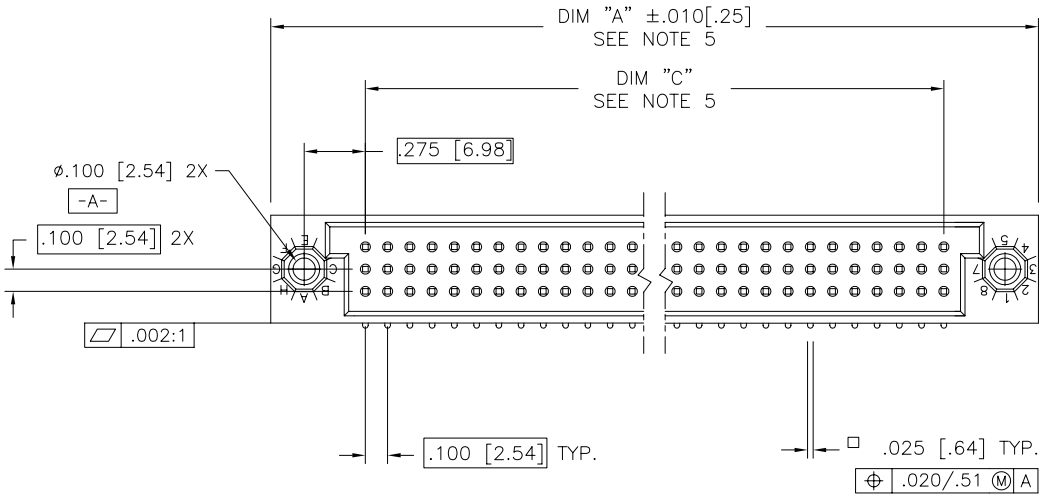
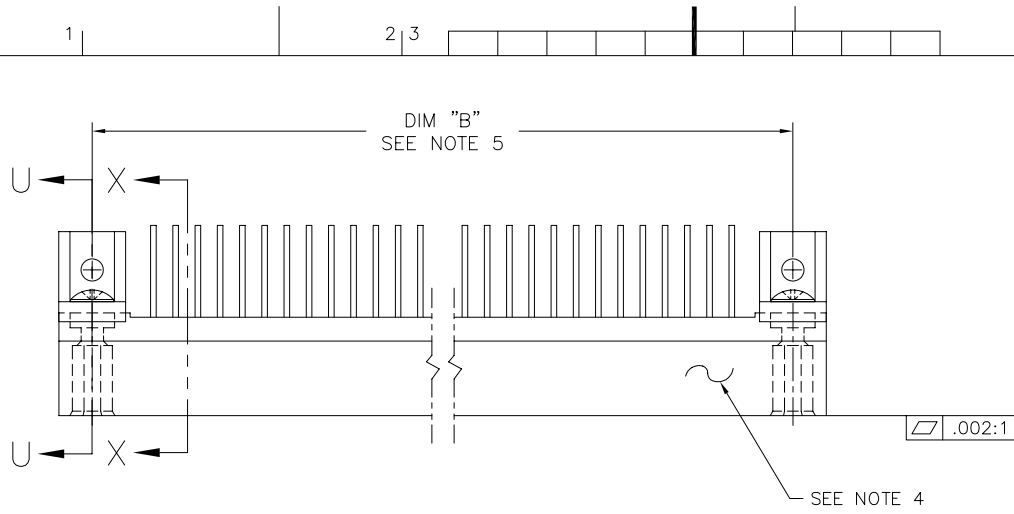




FCIconnect.com

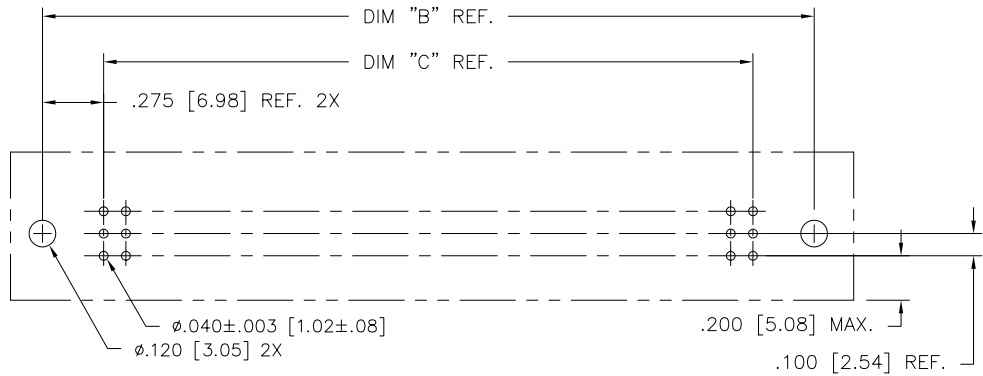
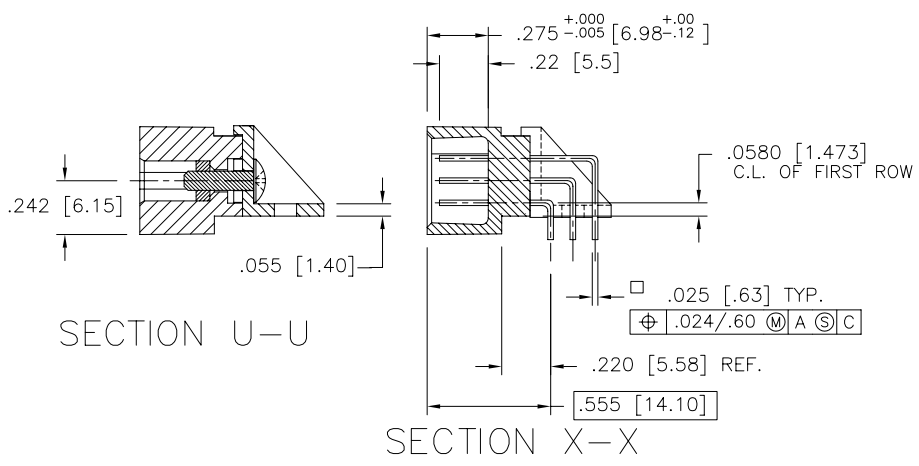
Copyright FCI

PRODUCT NUMBER
SEE TABLE



mat'l. code SEE NOTE 3		surface ISO 1302 ✓		tolerance ISO 406 ISO 1101		projection ⊕		product family HPC	
ltr		ecn no		date		tolerances unless otherwise specified		title	
B	v80921	DLW	10/6/98	angles	linear	.xx±.01/.3		3 ROW R/A HEADER W/ S.T. PINS, 0 G.P. DUPLEX PLTD.	
C	v94353	HTB	11/18/99	0'±2'		.xxx±.005/.13		INCH/MM	
D	v00264	JWS	1/27/00			.xxxx±.0020/.051		scale 1:1	
E	v10118	HTB	1/5/01	dr	G.PETERS	8/9/94		dwg no	
F	v05-0970	DAI	10/21/05	enr	J.AFTON	8/4/94		sheet 1 of 3 size	
G	m06-0283	MHT	7/27/06	chr	J.AFTON	8/12/94		50779 A3	
sheet index		revision		appd		S.CLARK		8/12/94	
sheet		sheet		G		G		type	
1		2		3				Product Customer Drawing	

PRODUCT NUMBER
SEE TABLE



NOTES:

- ① PRODUCT NUMBERING CODE:
50779 - X YYY Z LF
 - LEAD FREE (OPTIONAL)
 - TAIL LENGTH SEE TABLE
 - NO. OF POSITIONS SEE NOTE 2
 - PLATING SEE TABLE
 - BASE NUMBER
- ② THIS PRODUCT IS CONFIGURED IN SIZES OF 6 THRU 80 COLUMNS IN INCREMENTS OF ONE.
i.e.: 6,7,8,9,.....78,79,80.
- ③ HOUSING MATERIAL: GLASS AND MINERAL FILLED HIGH TEMP. THERMOPLASTIC. FLAME RETARDANT PER UL94V-0. COLOR: BLACK.
PIN MATERIAL: PHOS. BRONZE
- ④ COMPANY NAME, P/N, AND LOT CODE TO APPEAR ON THIS SURFACE PER BUS-12-108.
- ⑤ LENGTH FORMULAS
 DIM "A" = .100/2.54 x NO. OF COLUMNS + .75/19.1
 DIM "B" = .100/2.54 x NO. OF COLUMNS + .450/11.43
 DIM "C" = .100/2.54 x NO. OF COLUMNS - .100/2.54
6. THIS PRODUCT (WITH "LF" SUFFIX) MEETS EUROPEAN UNION DIRECTIVES AND OTHER COUNTRY REGULATIONS AS DESCRIBED IN GS-22-008.
7. THIS HOUSING WILL WITHSTAND EXPOSURE TO 260° PEAK TEMPERATURE FOR 10-30 SECONDS IN A CONVECTION, INFRA-RED OR VAPOR PHASE OVEN.



Copyright FCI

mat'l. code SEE NOTE 3		surface ISO 1302 ✓		tolerance ISO 406 ISO 1101		projection ⊕		product family HPC	
ltr		ecn no/dr		date		tolerances unless otherwise specified		title	
G						angles linear .xx±.01/.3 .xxx±.005/.13 .xxxx±.0020/.051		INCH/MM 3 ROW R/A HEADER W/ S.T. PINS, 0 G.P. DUPLEX PLTD.	
						0°±2'		scale 1:1	
				dr		G.PETERS 8/9/94		dwg no	
				enr		J.AFTON 8/4/94		sheet 2 of 3 size	
				chr		J.AFTON 8/12/94		50779 A3	
				appd		S.CLARK 8/12/94		type Product Customer Drawing	
sheet index		revision sheet							

form: A3

PRODUCT NUMBER	NUMBER OF POSITIONS	TAIL LENGTH	SOLDER TAIL PLATING	CONTACT AREA PLATING
50779 -AYYS	YYY	.100±.010/2.54±0.25	TIN-LEAD	30μ"/0.76μ Au DUPLEX
50779 -AYYSLF	YYY	.100±.010/2.54±0.25	TIN	30μ"/0.76μ GXT DUPLEX
50779 -AYYYH	YYY	.180±.010/4.57±0.25	TIN-LEAD	30μ"/0.76μ Au DUPLEX
50779 -AYYYHLF	YYY	.180±.010/4.57±0.25	TIN	30μ"/0.76μ GXT DUPLEX



Copyright FCI

mat'l. code SEE NOTE 3		surface ISO 1302 <input checked="" type="checkbox"/>	tolerance ISO 406 ISO 1101	projection 	product family HPC
ltr G	ecn no	dr date	tolerances unless otherwise specified angles linear 0°±2'	<input checked="" type="checkbox"/> INCH/MM scale 1:1	title 3 ROW R/A HEADER W/ S.T. PINS, 0 G.P. DUPLEX PLTD.
					dwg no 50779
					sheet 3 of 3 size A3
					type Product Customer Drawing
sheet index	revision sheet				



form: A3