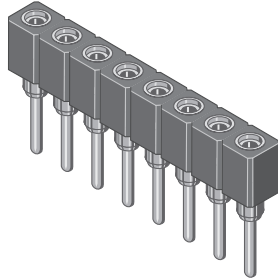


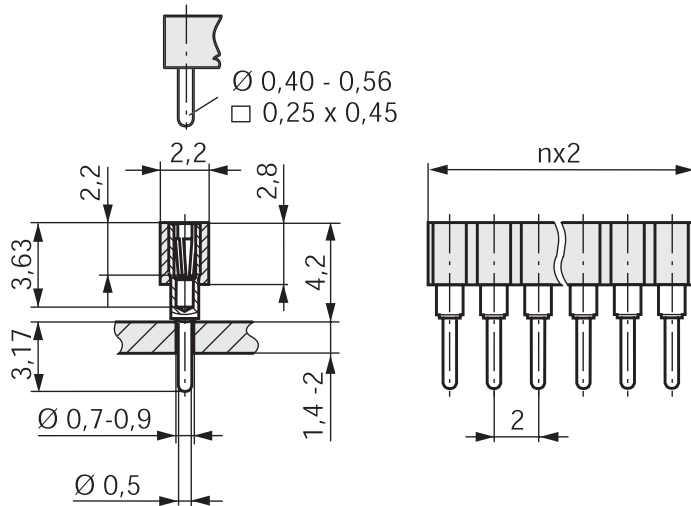
FEMALE HEADER „PRECISION“ 2,00 mm
ID: 165 BL 12-XX

Series 511



TECHNICAL DATA

Pitch	2,00 mm
Insulating Material	high temp. thermoplast UL94V-0
Contact Material	Brass/BeCu
Rated Current	3 Amp.
Rated Voltage	100 V _{RMS} /150 V _{DC}
Withstanding Voltage	min. 500 V _{RMS}
Operating Temperature	-40°C to +105°C
Maximum Soldering Temperature	260°C for 10 seconds



All dimensions in mm.
 Other dimensions upon request.

	BL	12	- XX	X	U
12:	1 row, pitch 2,0mm				
Pins:	2 - 50 poles possible				
Plating:	Blank = sleeve: Sn / clip: Au				
	8 = sleeve: Sn / clip: 0,75µm Au				
U:	RoHS-compliant with high temp. plastic				

8 | 2,00 mm