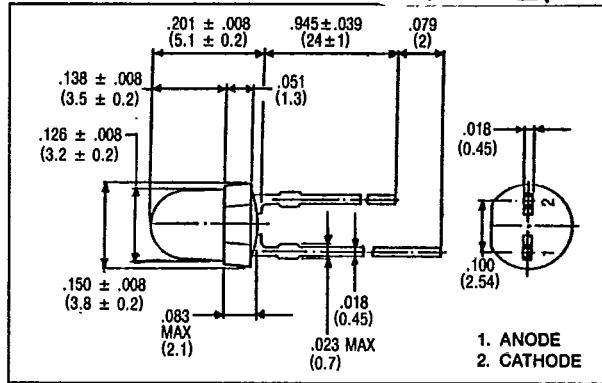


BACKLIGHTING LED LAMPS

T-41-21

FEATURES

- All plastic mold type, transparent lens.
- Wide radiation pattern-suitable for backlighting.
- Half Angle = ± 45 deg. (Typ.) (limits for 50% of I_V)
- Recommended forward current: $I_F = 15 \sim 20$ mA (DC)
- Fast response time, capable of pulse operation.



MAXIMUM RATINGS ($T_a = 25^\circ\text{C}$)

PART NO.	FORWARD CURRENT (I_F) (mA)	REVERSE VOLTAGE (V_R) (V)	POWER DISSIPATION (P_D) (mW)	OPERATING TEMPERATURE (T_{opr}) ($^\circ\text{C}$)	STORAGE TEMPERATURE (T_{stg}) ($^\circ\text{C}$)
MT620-HR	25	4	70	-20 ~ 75	-30 ~ 100
MT620-G	25	4	70	-20 ~ 75	-30 ~ 100
MT620-Y	25	4	70	-20 ~ 75	-30 ~ 100
MT620-O	25	4	70	-20 ~ 75	-30 ~ 100

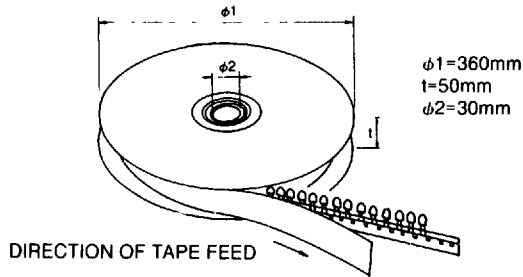
OPTO-ELECTRICAL CHARACTERISTICS ($T_a = 25^\circ\text{C}$)

PART NO.	MATERIAL	LENS COLOR	VIEWING ANGLE		LUMINOUS INTENSITY (mcd)				FORWARD VOLTAGE (v)			REVERSE CURRENT		PEAK WAVELENGTH (nm)	SPEC. LINE HALF WIDTH (nm)
			typ.	min.	typ.	@mA	typ.	max.	@ mA	μA	V_r				
MT620-HR	GaAsP/GaP	Red/Clear	90°	1.2	5.0	10	2.1	2.8	20	100	4	635	40		
MT620-G	GaP/GaP	Green/Clear	90°	1.5	6.0	10	2.1	2.8	20	5	4	565	25		
MT620-Y	GaAsP/GaP	Yellow/Clear	90°	1.2	5.0	10	2.1	2.8	20	100	4	585	32		
MT620-O	GaAsP/GaP	Orange/Clear	90°	1.2	5.0	10	2.1	2.8	20	100	4	610	35		

APPLICATION NOTES

[4] Packaging Reel Packaging

a) Reel type



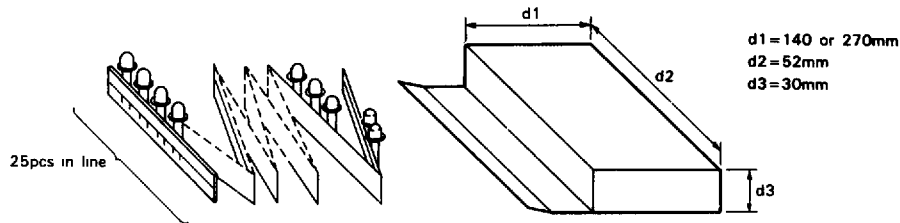
Content

LED Type	Quantity/Reel
$\phi 3$ Series	2000 pcs
$\phi 5$ Series	1000 pcs

T-1 and T- 1 3/4 packages

*Lamps with external shapes other than those above are also available. Please consult Marktech.

b) Zigzag wound tape



At tape beginning and end, there is additional space for 4 pcs or more

Content

LED Type	Quantity/Box
$\phi 3$ Series	2000 or 5000 pcs
$\phi 5$ Series	1000 or 2000 pcs



marktech

5 Hemlock Street • Latham, New York • (518) 786-6591 • FAX (518) 786-6599