

SN54LS373, SN54LS374, SN54S373, SN54S374, SN74LS373, SN74LS374, SN74S373, SN74S374

OCTAL D-TYPE TRANSPARENT LATCHES AND EDGE-TRIGGERED FLIP-FLOPS

OCTOBER 1975—REVISED MARCH 1988

- Choice of 8 Latches or 8 D-Type Flip-Flops In a Single Package
- 3-State Bus-Driving Outputs
- Full Parallel-Access for Loading
- Buffered Control Inputs
- Clock/Enable Input Has Hysteresis to Improve Noise Rejection ('S373 and 'S374)
- P-N-P Inputs Reduce D-C Loading on Data Lines ('S373 and 'S374)

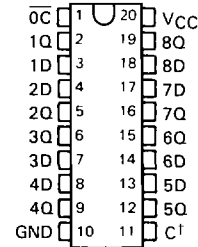
'LS373, 'S373
FUNCTION TABLE

OUTPUT ENABLE	ENABLE LATCH	D	OUTPUT
L	H	H	H
L	H	L	L
L	L	X	Q ₀
H	X	X	Z

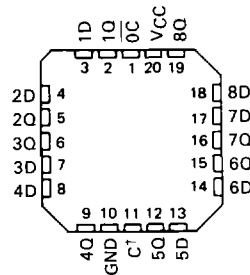
'LS374, 'S374
FUNCTION TABLE

OUTPUT ENABLE	CLOCK	D	OUTPUT
L	↑	H	H
L	↑	L	L
L	L	X	Q ₀
H	X	X	Z

SN54LS373, SN54LS374, SN54S373,
SN54S374 . . . J OR W PACKAGE
SN74LS373, SN74LS374, SN74S373,
SN74S374 . . . DW OR N PACKAGE
(TOP VIEW)



SN54LS373, SN54LS374, SN54S373,
SN54S374 . . . FK PACKAGE
(TOP VIEW)



'C for 'LS373 and 'S373, CLK for LS374 and 'S374

description

These 8-bit registers feature three-state outputs designed specifically for driving highly-capacitive or relatively low-impedance loads. The high-impedance third state and increased high-logic-level drive provide these registers with the capability of being connected directly to and driving the bus lines in a bus-organized system without need for interface or pull-up components. They are particularly attractive for implementing buffer registers, I/O ports, bidirectional bus drivers, and working registers.

The eight latches of the 'LS373 and 'S373 are transparent D-type latches meaning that while the enable (C) is high the Q outputs will follow the data (D) inputs. When the enable is taken low the output will be latched at the level of the data that was set up.

2

TTL Devices

PRODUCTION DATA documents contain information current as of publication date. Products conform to specifications per the terms of Texas Instruments standard warranty. Production processing does not necessarily include testing of all parameters.

TEXAS
INSTRUMENTS

POST OFFICE BOX 655012 • DALLAS, TEXAS 75265

2-883

SN54LS373, SN54LS374, SN54S373, SN54S374, SN74LS373, SN74LS374, SN74S373, SN74S374 OCTAL D-TYPE TRANSPARENT LATCHES AND EDGE-TRIGGERED FLIP-FLOPS

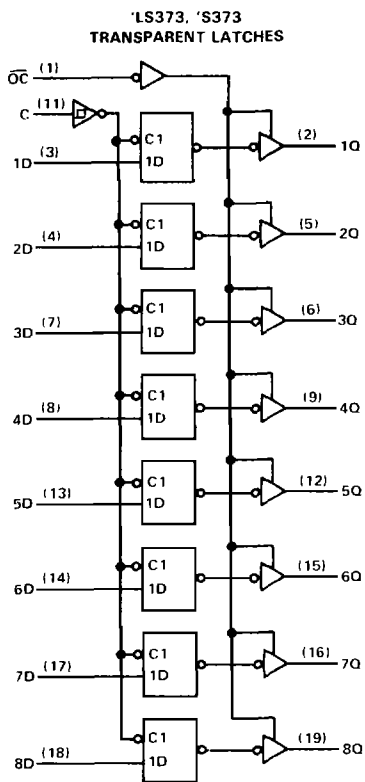
description (continued)

The eight flip-flops of the 'LS374 and 'S374 are edge triggered D-type flip-flops. On the positive transition of the clock, the Q outputs will be set to the logic states that were setup at the D inputs.

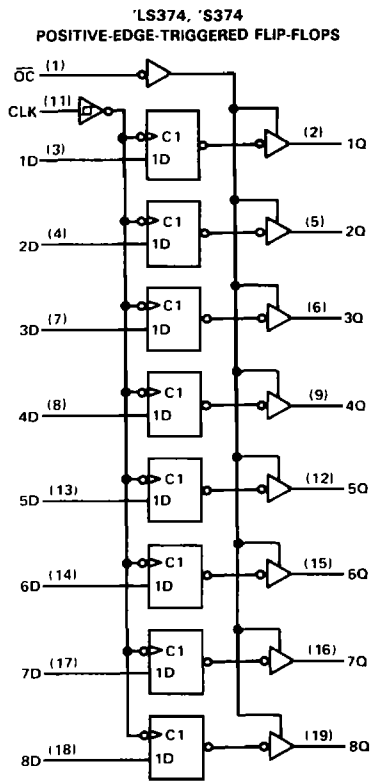
Schmitt-trigger buffered inputs at the enable/clock lines of the 'S373 and 'S374 devices, simplify system design as ac and dc noise rejection is improved by typically 400 mV due to the input hysteresis. A buffered output control input can be used to place the eight outputs in either a normal logic state (high or low logic levels) or a high-impedance state. In the high-impedance state the outputs neither load nor drive the bus lines significantly.

The output control does not affect the internal operation of the latches or flip-flops. That is, the old data can be retained or new data can be entered even while the outputs are off.

logic diagrams (positive logic)



□ for 'S373 only



□ for 'S374 only

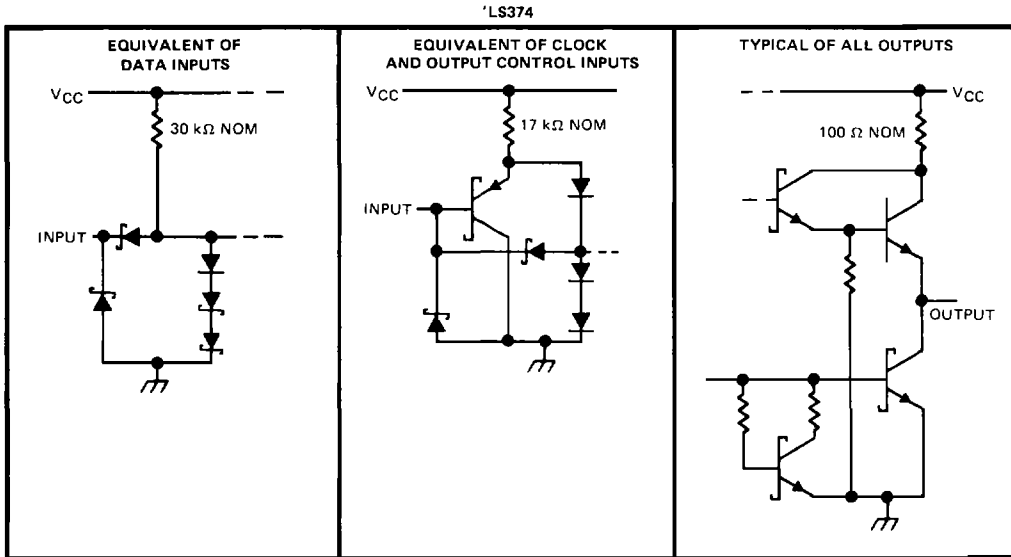
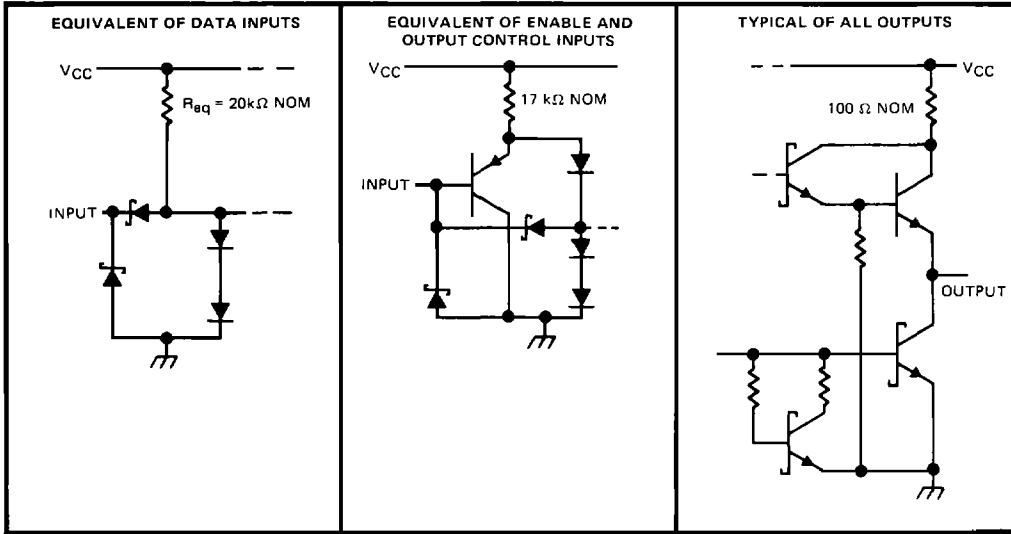
Pin numbers shown are for DW, J, N, and W packages.

2

TTL Devices

SN54LS373, SN54LS374, SN74LS373, SN74LS374
OCTAL D-TYPE TRANSPARENT LATCHES AND
EDGE-TRIGGERED FLIP-FLOPS

schematic of inputs and outputs



2
TTL Devices

SN54LS373, SN54LS374, SN74LS373, SN74LS374

OCTAL D-TYPE TRANSPARENT LATCHES AND EDGE-TRIGGERED FLIP-FLOPS

absolute maximum ratings over operating free-air temperature range (unless otherwise noted)

Supply voltage, V_{CC} (see Note 1)	7 V
Input voltage	7 V
Off-state output voltage	5.5 V
Operating free-air temperature range: SN54LS'	-55°C to 125°C
SN74LS'	0°C to 70°C
Storage temperature range	-65°C to 150°C

NOTE 1 Voltage values are with respect to network ground terminal.

recommended operating conditions

		SN54LS'			SN74LS'			UNIT
		MIN	NOM	MAX	MIN	NOM	MAX	
V_{CC}	Supply voltage	4.5	5	5.5	4.75	5	5.25	V
V_{OH}	High-level output voltage	5.5			5.5			V
I_{OH}	High-level output current	-1			-2.6			mA
I_{OL}	Low-level output current	12			24			mA
t_w	Pulse duration	CLK high	15		15		ns	
		CLK low	15		15			
t_{su}	Data setup time	'LS373	5 †		5 †		ns	
		'LS374	20 †		20 †			
t_h	Data hold time	'LS373	20 †		20 †		ns	
		'LS374 †	5 †		0 †			
T_A	Operating free-air temperature	-55		125		0 70		°C

† The t_h specification applies only for data frequency below 10 MHz. Designs above 10 MHz should use a minimum of 5 ns. (Commercial only)

electrical characteristics over recommended operating free-air temperature range (unless otherwise noted)

PARAMETER	TEST CONDITIONS†	SN54LS'			SN74LS'			UNIT	
		MIN	TYP‡	MAX	MIN	TYP‡	MAX		
V_{IH}	High-level input voltage	2			2			V	
V_{IL}	Low-level input voltage	0.7			0.8			V	
V_{IK}	Input clamp voltage	$V_{CC} = \text{MIN}, I_I = -18 \text{ mA}$			-1.5			V	
V_{OH}	High-level output voltage	$V_{CC} = \text{MIN}, V_{IH} = 2 \text{ V}, V_{IL} = V_{IL\text{max}}, I_{OH} = \text{MAX}$			2.4 3.1			V	
V_{OL}	Low-level output voltage	$V_{CC} = \text{MIN}, V_{IH} = 2 \text{ V}, V_{IL} = V_{IL\text{max}}$			0.25 0.4		0.25 0.4		V
		$I_{OL} = 12 \text{ mA}$							
		$I_{OL} = 24 \text{ mA}$					0.35 0.5		
I_{OZH}	Off-state output current, high-level voltage applied	$V_{CC} = \text{MAX}, V_{IH} = 2 \text{ V}, V_O = 2.7 \text{ V}$			20			μA	
I_{OZL}	Off-state output current, low-level voltage applied	$V_{CC} = \text{MAX}, V_{IH} = 2 \text{ V}, V_O = 0.4 \text{ V}$			-20			μA	
I_I	Input current at maximum input voltage	$V_{CC} = \text{MAX}, V_I = 7 \text{ V}$			0.1			mA	
I_{IH}	High-level input current	$V_{CC} = \text{MAX}, V_I = 2.7 \text{ V}$			20			μA	
I_{IL}	Low-level input current	$V_{CC} = \text{MAX}, V_I = 0.4 \text{ V}$			-0.4			mA	
I_{OS}	Short-circuit output current‡	$V_{CC} = \text{MAX}$			-30 -130		-30 -130		mA
I_{CC}	Supply current	$V_{CC} = \text{MAX}$			'LS373		24 40		mA
		Output control at 4.5 V			'LS374		27 40		

† For conditions shown as MIN or MAX, use the appropriate value specified under recommended operating conditions.

‡ All typical values are at $V_{CC} = 5 \text{ V}, T_A = 25^\circ \text{C}$.

§ Not more than one output should be shorted at a time and duration of the short circuit should not exceed one second.

2

TTL Devices

**SN54LS373, SN54LS374, SN74LS373, SN74LS374
OCTAL D-TYPE TRANSPARENT LATCHES AND
EDGE-TRIGGERED FLIP-FLOPS**

switching characteristics, $V_{CC} = 5\text{ V}$, $T_A = 25^\circ\text{C}$

PARAMETER	FROM (INPUT)	TO (OUTPUT)	TEST CONDITIONS	'LS373			'LS374			UNIT
				MIN	TYP	MAX	MIN	TYP	MAX	
f_{max}			$C_L = 45\text{ pF}$, $R_L = 667\ \Omega$ See Notes 2 and 3				35	50		MHz
t_{PLH}	Data	Any Q		12	18					ns
t_{PHL}		Any Q		12	18					
t_{PLH}	Clock or enable	Any Q		20	30		15	28		ns
t_{PHL}		Any Q		18	30		19	28		
t_{PZH}	Output	Any Q		15	28		20	26		ns
t_{PZL}	Control		25	36		21	28			
t_{PHZ}	Output Control	Any Q	$C_L = 5\text{ pF}$, $R_L = 667\ \Omega$ See Note 3	15	25		15	28		ns
t_{PLZ}	Output Control	Any Q		12	20		12	20		ns

NOTES: 2. Maximum clock frequency is tested with all outputs loaded.
3. Load circuits and voltage waveforms are shown in Section 1.

f_{max} = maximum clock frequency
 t_{PLH} = propagation delay time, low-to-high-level output
 t_{PHL} = propagation delay time, high-to-low-level output
 t_{PZH} = output enable time to high level
 t_{PZL} = output enable time to low level
 t_{PHZ} = output disable time from high level
 t_{PLZ} = output disable time from low level

2

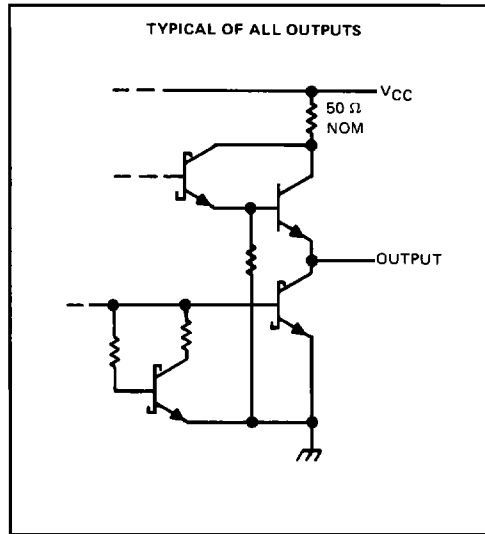
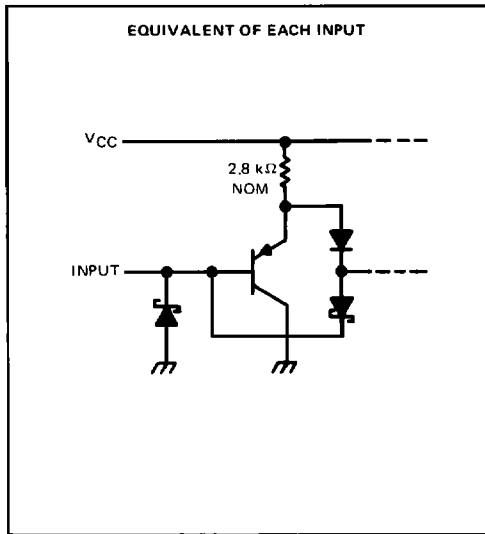
TTL Devices

SN54S373, SN54S374, SN74S373, SN74S374

OCTAL D-TYPE TRANSPARENT LATCHES AND EDGE-TRIGGERED FLIP-FLOPS

schematic of inputs and outputs

2 TTL Devices



absolute maximum ratings over operating free-air temperature (unless otherwise noted)

Supply voltage, V_{CC} (see Note 1)	7 V
Input voltage	5.5 V
Off-state output voltage	5.5 V
Operating free-air temperature range: SN54S'	-55°C to 125°C
SN74S'	0°C to 70°C
Storage temperature range	-65°C to 150°C

NOTE 1 Voltage values are with respect to network ground terminal.

recommended operating conditions

	SN54S'			SN74S'			UNIT
	MIN	NOM	MAX	MIN	NOM	MAX	
Supply voltage, V_{CC}	4.5	5	5.5	4.75	5	5.25	V
High-level output voltage, V_{OH}			5.5			5.5	V
High-level output current, I_{OH}			-2			-6.5	mA
Width of clock/enable pulse, t_w	High	6		6			ns
	Low	7.3		7.3			ns
Data setup time, t_{su}	'S373	0↓		0↓			ns
	'S374	5↑		5↑			ns
Data hold time, t_h	'S373	10↓		10↓			ns
	'S374	2↑		2↑			ns
Operating free-air temperature, T_A	-55		125	0		70	°C

SN54S373, SN54S374, SN74S373, SN74S374
OCTAL D-TYPE TRANSPARENT LATCHES AND
EDGE-TRIGGERED FLIP-FLOPS

electrical characteristics over recommended operating free-air temperature range (unless otherwise noted)

PARAMETER		TEST CONDITIONS†			MIN	TYP‡	MAX	UNIT
V _{IH}					2			V
V _{IL}							0.8	V
V _{IK}		V _{CC} = MIN, I _I = -18 mA					-1.2	V
V _{OH}	SN54S'	V _{CC} = MIN, V _{IH} = 2 V, V _{IL} = 0.8 V, I _{OH} = MAX			2.4	3.4		V
	SN74S'				2.4	3.1		
V _{OL}		V _{CC} = MIN, V _{IH} = 2 V, V _{IL} = 0.8 V, I _{OL} = 20 mA					0.5	V
I _{OZH}		V _{CC} = MAX, V _{IH} = 2 V, V _O = 2.4 V					50	μA
I _{OZL}		V _{CC} = MAX, V _{IH} = 2 V, V _O = 0.5 V					-50	μA
I _I		V _{CC} = MAX, V _I = 5.5 V					1	mA
I _{IH}		V _{CC} = MAX, V _I = 2.7 V					50	μA
I _{IL}		V _{CC} = MAX, V _I = 0.5 V					-250	μA
I _{OS} §		V _{CC} = MAX			-40		-100	mA
I _{CC}	V _{CC} = MAX	'S373		outputs high			160	mA
				outputs low			160	
				outputs disabled			190	
		'S374		outputs high			110	
				outputs low			140	
				outputs disabled			160	
				CLK and OC at 4 V, D inputs at 0 V				

†For conditions shown as MIN or MAX, use the appropriate value specified under recommended operating conditions

‡All typical values are at V_{CC} = 5 V, T_A = 25°C.

§Not more than one output should be shorted at a time and duration of the short-circuit should not exceed one second.

switching characteristics, V_{CC} = 5 V, T_A = 25°C

PARAMETER	FROM (INPUT)	TO (OUTPUT)	TEST CONDITIONS	'S373			'S374			UNIT
				MIN	TYP	MAX	MIN	TYP	MAX	
f _{max}			C _L = 15 pF, R _L = 280 Ω, See Notes 2 and 4				75	100		MHz
t _{PLH}	Data	Any Q		7	12					ns
t _{PHL}				7	12					
t _{PLH}	Clock or enable	Any Q		7	14	8	15			ns
t _{PHL}				12	18	11	17			
t _{PZH}	Output	Any Q		8	15	8	15			ns
t _{PZL}	Control			11	18	11	18			
t _{PHZ}	Output	Any Q	C _L = 5 pF, R _L = 280 Ω, See Note 3	6	9	5	9		ns	
t _{PLZ}				Control	8	12	7	12		

NOTES: 2. Maximum clock frequency is tested with all outputs loaded

4. Load circuits and voltage waveforms are shown in Section 1

f_{max} = maximum clock frequency

t_{PLH} = propagation delay time, low-to-high-level output

t_{PHL} = propagation delay time, high-to-low-level output

t_{PZH} = output enable time to high level

t_{PZL} = output enable time to low level

t_{PHZ} = output disable time from high level

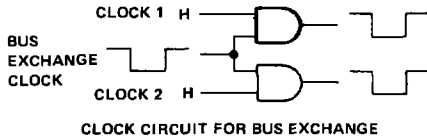
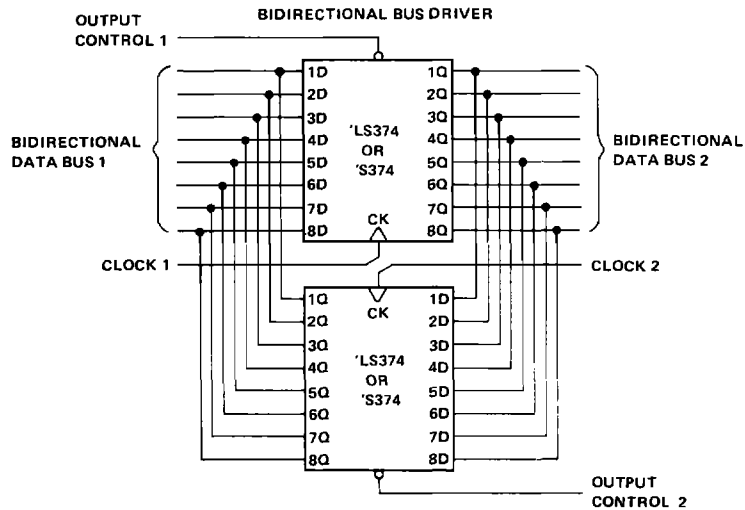
t_{PLZ} = output disable time from low level

2

TTL Devices

**SN54LS373, SN54LS374, SN54S373, SN54S374,
SN74LS373, SN74LS374, SN74S373, SN74S374**
OCTAL D-TYPE TRANSPARENT LATCHES AND EDGE-TRIGGERED FLIP-FLOPS

TYPICAL APPLICATION DATA



EXPANDABLE 4-WORD-BY-8-BIT GENERAL REGISTER FILE

