

(1,27 mm) .050"

SFLX, SFMX SERIES

FLEX LOCK/LATCH SOCKET STRIP

SPECIFICATIONS

For complete specifications and recommended PCB layouts see www.samtec.com?SFMX or www.samtec.com?SFLX

Insulator Material: Black Liquid Crystal Polymer
Contact Material: Phosphor Bronze
Plating: Au over 50µ" (1,27 µm) Ni

Operating Temp Range: -55°C to +125°C

Contact Resistance: 15 mΩ

Insertion Depth: (3,05 mm) .120" to (4,06 mm) .160"

Insertion Force: (Single contact only) 2.5 oz (0,69 N) avg.

Withdrawal Force: (Single contact only) 2.0 oz (0,57 N) avg.

SFMX Unmating Force: Withdrawal force per contact: 2.0 oz (0,57 N) avg; Incremental unmating force with latching mechanism: 10 & 15 pins/row (One Latch) increases withdrawal force by 4 x avg; 20-30 pins/row (Two Latches) increases withdrawal force by 3 x avg; 35-50 pins/row (Three Latches) increases withdrawal force by 1.7 x avg
RoHS Compliant: Yes

Processing: Lead-Free Solderable: Yes

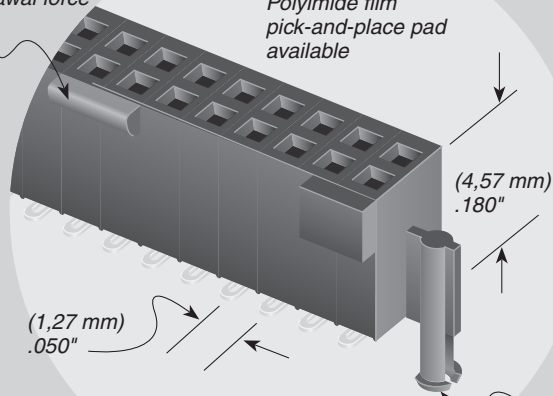
SMT Lead Coplanarity: (0,10 mm) .004" max (10-25) (0,15 mm) .006" max (30-50)

Mates with: TFML, TFM-D (SFLX only), FTSH



Latching feature increases withdrawal force

Polyimide film pick-and-place pad available

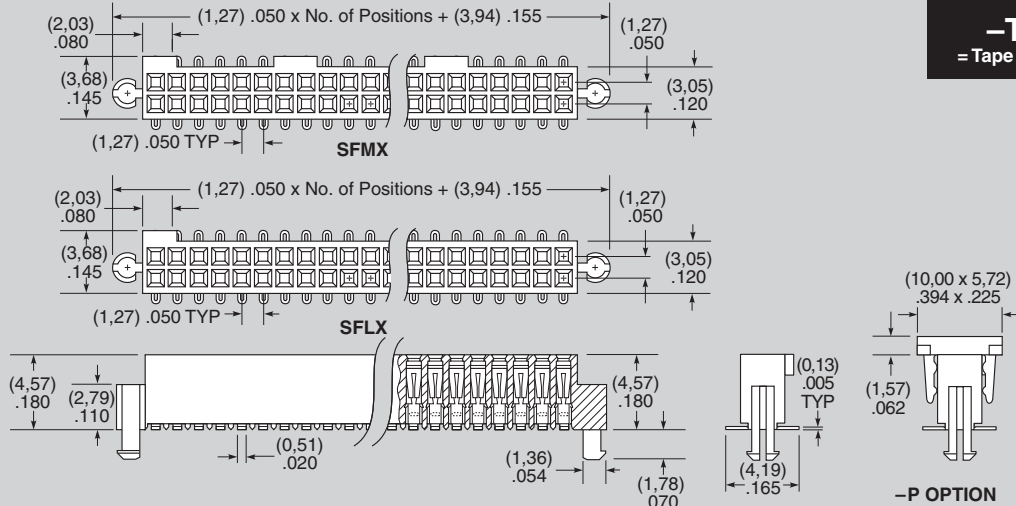


Locks into stiffeners behind circuit

TYPE STRIP	1	NO. PINS PER ROW	LEAD STYLE	PLATING OPTION	D	OPTION
SFLX = Flex Lock (No latch)		10, 15, 20, 25, 30, 35, 40, 45, 50 (Standard sizes)	-T2 = Tiger Eye™ LITE Contact	-S = 30µ" (0,76 µm) Gold on contact, Matte Tin on tail		-K = (4,00 mm) .157" DIA Polyimide film Pick & Place Pad
SFMX = Latching Flex Lock						-P = Plastic Pick & Place Pad (SFLX only)
						-TR = Tape & Reel

RECOGNITIONS

For complete scope of recognitions see www.samtec.com/quality



Note: Some sizes, styles and options are non-standard, non-returnable.

Due to technical progress, all designs, specifications and components are subject to change without notice.

WWW.SAMTEC.COM