



Description

- PLL based, one time only factory programmable (for a fast lead time) crystal oscillator in a hermetically sealed ceramic package with a metal lid.
 This model is not approved for on-board avionics applications; in such instances our 'CFPP-73 AVIATION' version should be specified.
- Model CFPP-73
- Model Issue number 11

Frequency Parameters

- Frequency 25.0MHz
- Frequency Stability ±50.00ppm
- Operating Temperature Range -40.00 to 85.00°C
- Ageing ±5ppm max in 1st year @ 25°C

Electrical Parameters

- Supply Voltage 3.3V ±0.3V
- Current Draw 25.00mA

Output Details

- Output Compatability CMOS
- Drive Capability 30pF max
- Rise and Fall Time 4.0ns max
- Duty Cycle 45/55%
- Logic '1' to pad 1 enables oscillator output
 Logic '0' to pad 1 disables oscillator output; when disabled the oscillator output goes to the high impedance state
 No connection to pad 1 enables oscillator output

Noise Parameters

- Jitter pk-pk:
 1 to 33MHz 250ps max
 >33MHz 175ps max
- Jitter pk-pk:
 1 to 33MHz 100ps typ
 >33MHz 75ps typ

Environmental Parameters

- Storage Temperature Range: -55 to 125°C

Compliance

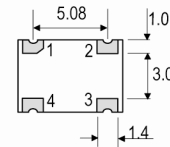
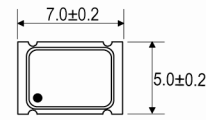
- RoHS Status (2011/65/EU) Compliant
- REACH Status Compliant
- MSL Rating (JDEC-STD-033): Not Applicable

Packaging Details

- Pack Style: Bulk Loose in bulk pack
 Pack Size: 1
- *Alternative packing option available*



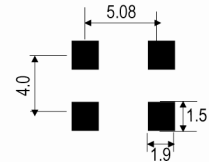
Outline (mm)



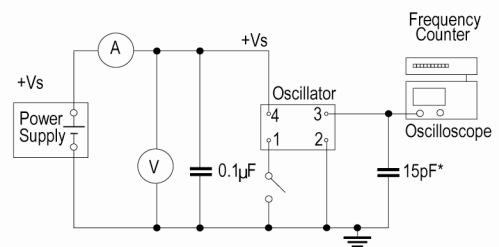
Underside View

- Pad Connections**
1. N/C or Tri-State
 2. GND
 3. Output
 4. +Vs

Solder Pad Layout



Test Circuit



Inclusive of jigging and equipment capacitance

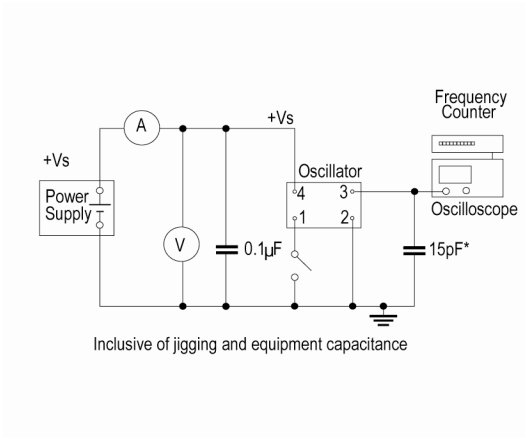
Sales Office Contact Details:

UK: +44 (0)1460 270200
 Germany: 0800 1808 443

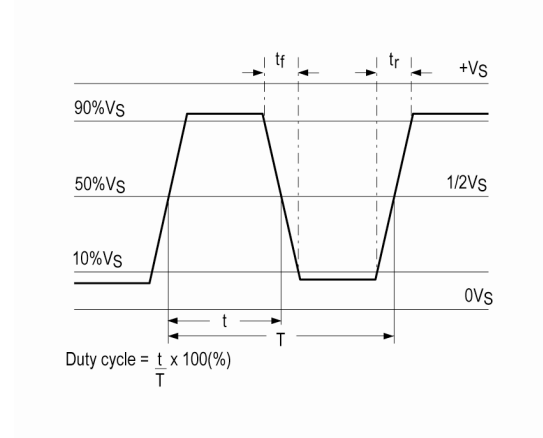
France: 0800 901 383
 USA: +1.760.318.2824

Email: info@iqdfrequencyproducts.com
 Web: www.iqdfrequencyproducts.com

Test Circuit



Wave Form



Sales Office Contact Details:

UK: +44 (0)1460 270200
 Germany: 0800 1808 443

France: 0800 901 383
 USA: +1.760.318.2824

Email: info@iqdfrequencyproducts.com
 Web: www.iqdfrequencyproducts.com