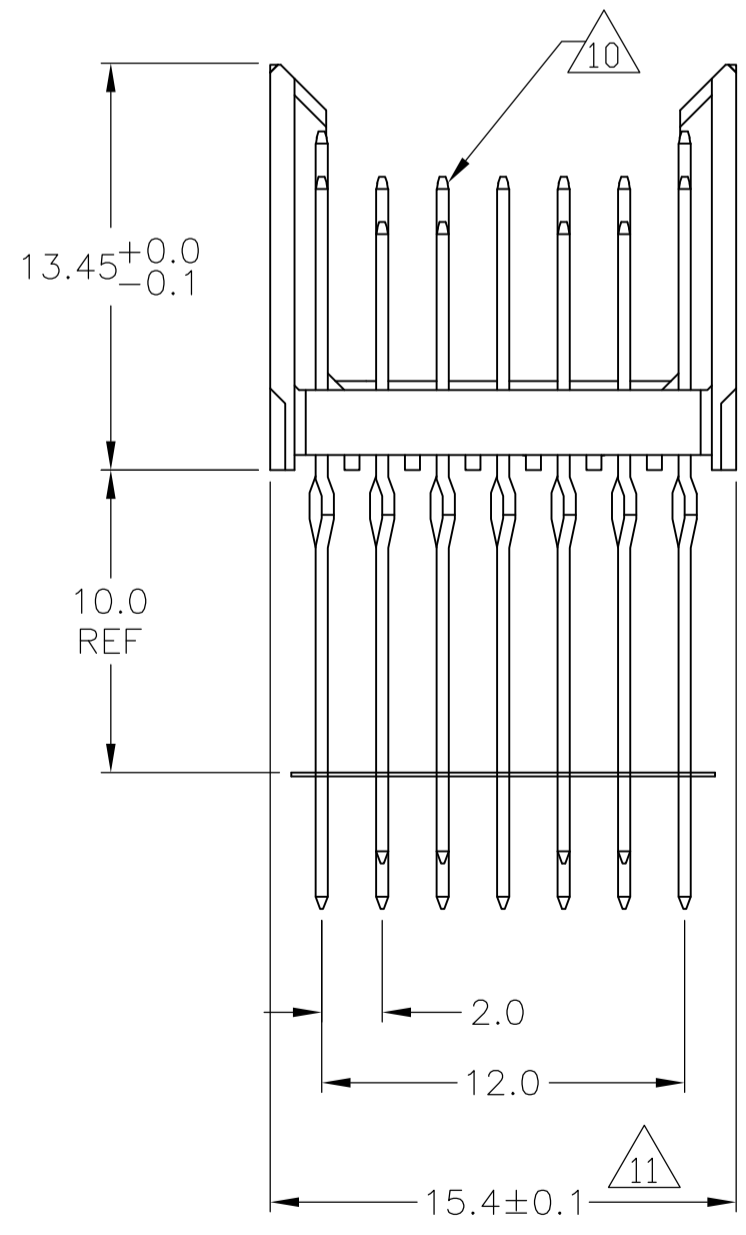
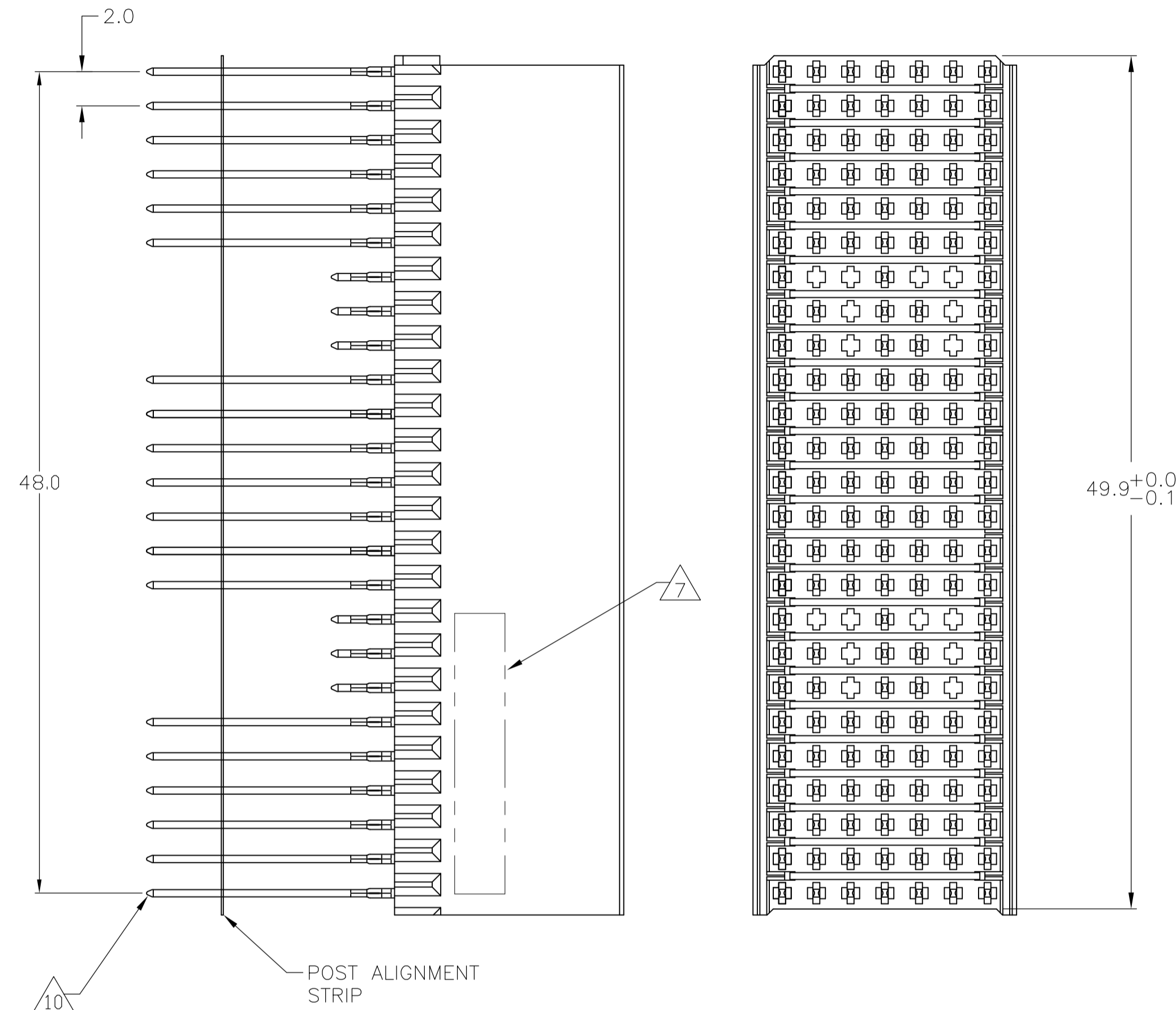
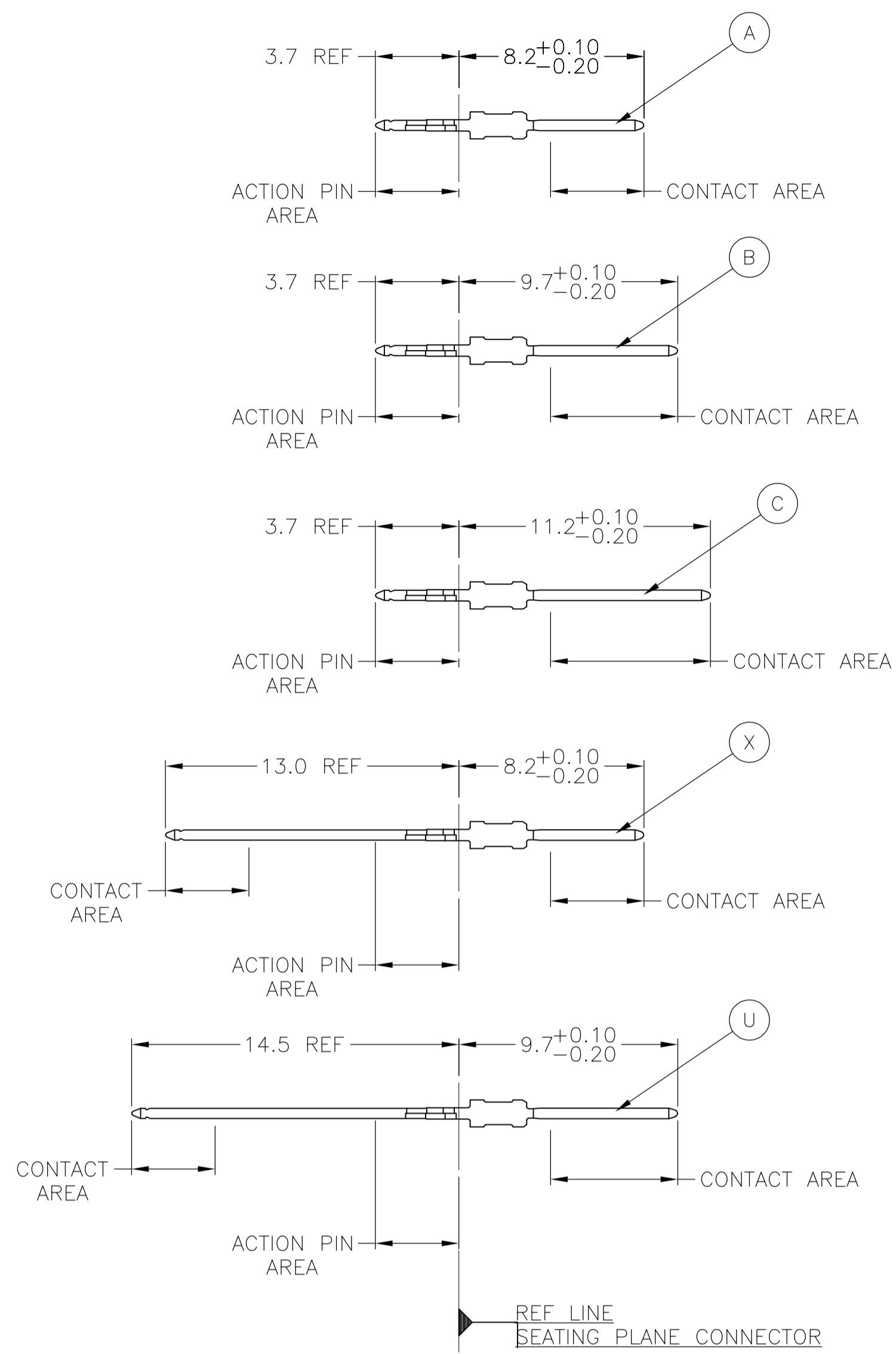


CONNECTOR ASSEMBLY EXAMPLARY LOADED



CONTACT DIMENSIONS

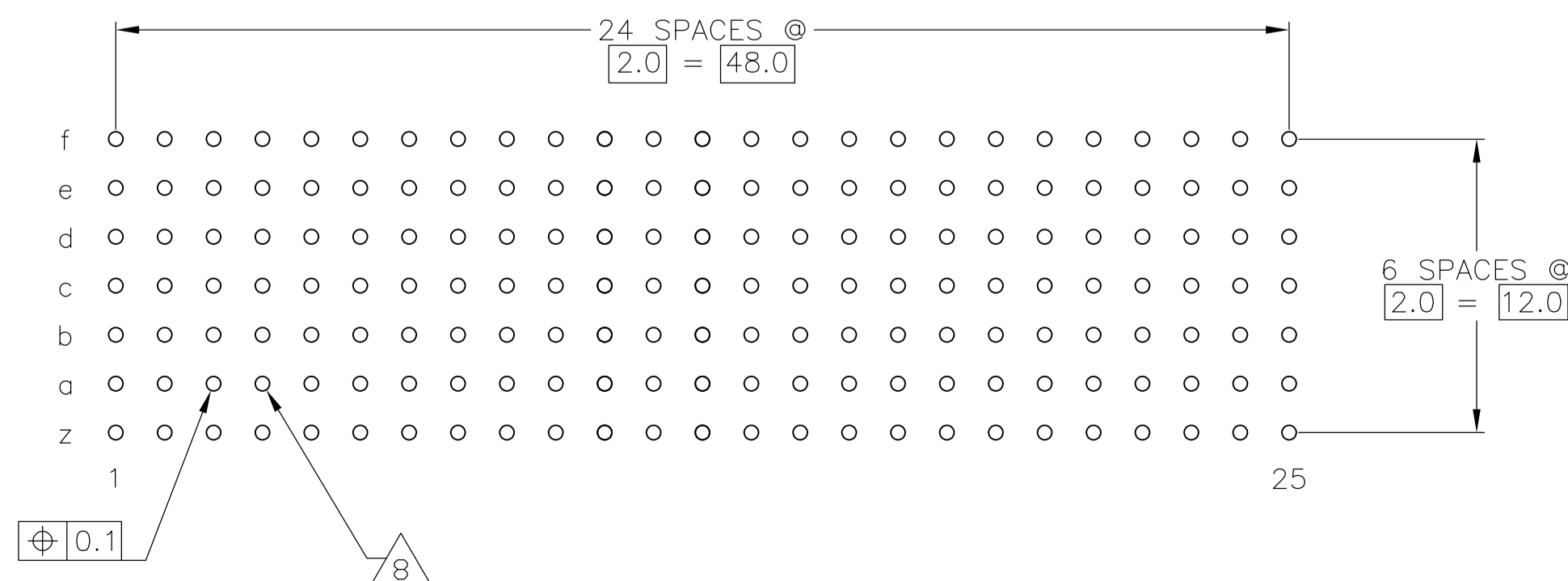
SCALE 5:1



CONTACT LAYOUT

| | z | a | b | c | d | e | f |
|----|---|---|---|---|---|---|---|
| 1 | U | X | X | U | X | X | U |
| 2 | U | X | X | U | X | X | U |
| 3 | U | U | U | U | U | U | U |
| 4 | U | X | X | U | X | X | U |
| 5 | U | X | X | U | X | X | U |
| 6 | U | U | U | U | U | U | U |
| 7 | C | | | B | | | C |
| 8 | C | A | | B | A | | C |
| 9 | C | A | | B | A | | C |
| 10 | U | U | U | U | U | U | U |
| 11 | U | X | X | U | X | X | U |
| 12 | U | X | X | U | X | X | U |
| 13 | U | U | U | U | U | U | U |
| 14 | U | X | X | U | X | X | U |
| 15 | U | X | X | U | X | X | U |
| 16 | U | U | U | U | U | U | U |
| 17 | C | | | B | | | C |
| 18 | C | A | | B | A | | C |
| 19 | C | A | | B | A | | C |
| 20 | U | U | U | U | U | U | U |
| 21 | U | X | X | U | X | X | U |
| 22 | U | X | X | U | X | X | U |
| 23 | U | U | U | U | U | U | U |
| 24 | U | X | X | U | X | X | U |
| 25 | U | X | X | U | X | X | U |

RECOMMENDED PCB-HOLE LAYOUT COMPONENT SIDE SHOWN



PLATED THRU HOLES PARAMETERS

REFERENCE APPLICATION SPECIFICATION

| | | | |
|----------|---|----|-------------|
| 2 | 6 | 12 | 1-352621-9 |
| 2 | 5 | 12 | 352621-9 |
| 2 | 4 | 12 | 352621-4 |
| 2 | 3 | 12 | 352621-1 |
| OBSOLETE | | | |
| FINISH | | | PART NUMBER |

THIS DRAWING IS A CONTROLLED DOCUMENT.

DIMENSIONS: mm

TOLERANCES UNLESS OTHERWISE SPECIFIED:

| | |
|--------|------|
| 0-PLC | ± |
| 1-PLC | ±0.1 |
| 2-PLC | ±0.2 |
| 3-PLC | ± |
| 4-PLC | ± |
| ANGLES | ± |

MATERIAL: 1

FINISH: SEE TABLE

THIS DRAWING IS A CONTROLLED DOCUMENT.

DIN: B. CARBO 27JUL05

CHK: G. SKIPPER 27JUL05

APVD: G. SKIPPER 27JUL05

NAME: Tyco Electronics

Tyco Electronics Corporation
Harrisburg, Pa 17105-3608

PRODUCT SPEC: 108-19082

APPLICATION SPEC: 114-19029

SIZE: A1

CAGE CODE: 00779

DRAWING NO: 352621

RESTRICTED TO: -

CUSTOMER DRAWING


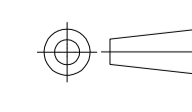
SCALE: 4:1

SHEET: 1 OF 2

REV: F

| LOC | | DIST | | REVISIONS | | | | |
|-----|-----|-------------|------|-----------|------|--|--|--|
| P | LTR | DESCRIPTION | DATE | DN | APVO | | | |
| AD | 00 | SEE SHEET 1 | - | - | - | | | |

- 1 MATERIAL:
CONTACT: PHOSPHOR BRONZE.
HOUSING: GLASS-FILLED POLYESTER.
- 2 GENERAL PLATING SPECIFICATION: UNDERPLATING
(ENTIRE CONTACT): 1.27µm MIN NICKEL AND ACTION
PIN: 0.5µm MIN TIN/LEAD.
FOR PLATING OF MATING SURFACES SEE APPLICABLE
SPECIFICATION REFERENCE FOR EACH DASH NUMBER.
- 3 CONFORMS TO ALL TESTING ACCORDING TO IEC 61076-4-101
PERFORMANCE LEVEL 2.
- 4 CONFORMS TO ALL TESTING ACCORDING TO IEC 61076-4-101
PERFORMANCE LEVEL 1.
- 5 CONNECTOR TESTED AND QUALIFIED AGAINST TELCORDIA GR-1217-CORE QUALITY LEVEL 3,
CENTRAL OFFICE APPLICATIONS.
- 6 CONNECTOR TESTED AND QUALIFIED AGAINST TELCORDIA GR-1217-CORE QUALITY LEVEL 3,
UNCONTROLLED ENVIROMENT APPLICATIONS.
- 7 CONNECTOR MARKED WITH PART NUMBER AND DATE CODE.
ADDITIONAL CHARACTERS OR MARKINGS, AS WELL AS THE LOCATION OF THE MARKINGS,
MAY BE ADDED FOR TRACEABILITY BASED UPON MANUFACTURERS DISCRETION.
- 8 PLATED-THROUGH HOLES AT 2x2mm SQUARE GRID
PATTERN DEFINED BY CONTACT LAYOUT.
- 9 FOR ACTUAL PIN LOADING SEE "CONTACT LAYOUT".
- 10 FOR ACTUAL PIN DIMENSIONS SEE "CONTACT DIMENSIONS".
- 11 TO BE MEASURED AT BOTTOM OF SHROUD.
- 12 CONNECTOR LUBRICATED WITH BELCORE APPROVED LUBRICANT,
TECHNICAL REFERENCE: TR-NWT-001217 ISSUE 1, SEP 1992.

| | | | | |
|---|--|---|---------|---|
| THIS DRAWING IS A CONTROLLED DOCUMENT. | | DIN B. CARBO | 27JUL05 |  Tyco Electronics Corporation Harrisburg, Pa 17105-3608 |
| | | CHK G. SKIPPER | 27JUL05 | |
| DIMENSIONS: mm | | TOLERANCES UNLESS OTHERWISE SPECIFIED: 0-PLC ± 1-PLC ± 0.1 2-PLC ± 3-PLC ± 4-PLC ± ANGLES ± | | APVO G. SKIPPER 27JUL05 NAME MALE ASSEMBLY, Z-PACK 2mm HM, TYPE B |
|  | | PRODUCT SPEC 108-19082 APPLICATION SPEC 114-19029 | | SIZE A1 |
| MATERIAL SEE SHEET 1 | | FINISH SEE SHEET 1 | | WEIGHT - SCALE 4:1 SHEET 2 OF 2 REV F |
| | | CUSTOMER DRAWING | | RESTRICTED TO |