

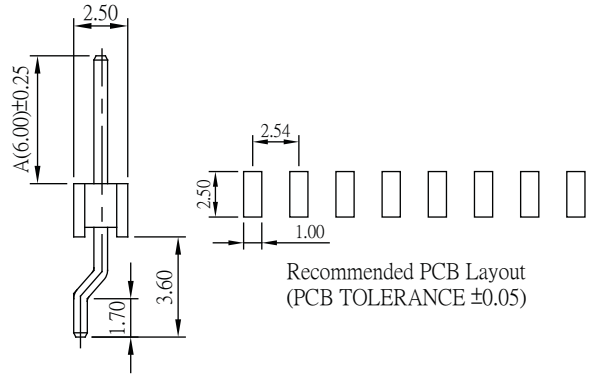
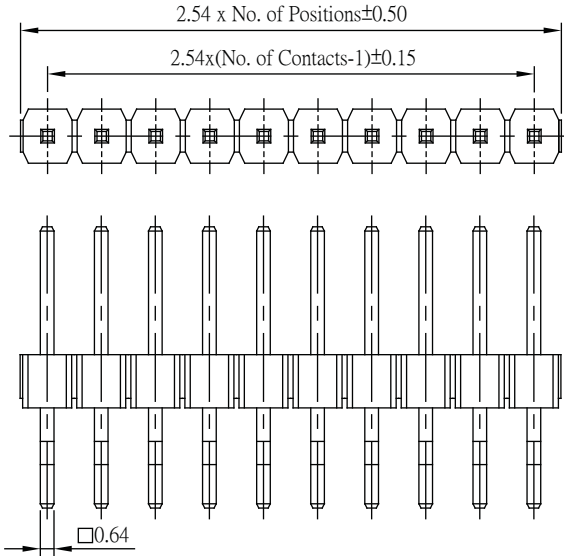
Pin Header 2.54mm 1 Row H=2.5mm SMT R/A Type

Specifications

Current Rate: 3 AMP
 Insulation Resistance: 1000MΩ Min.
 Contact Resistance: 20mΩ Max.
 Dielectric Voltage: 1000V AC for one minute
 Operation Temperature: -40°C to +105°C

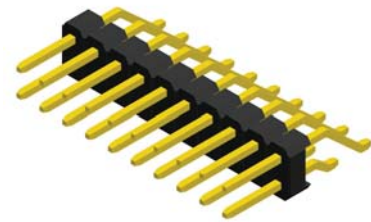
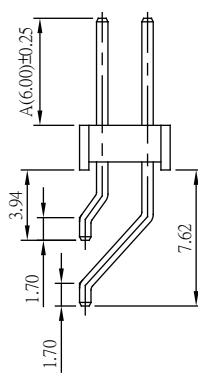
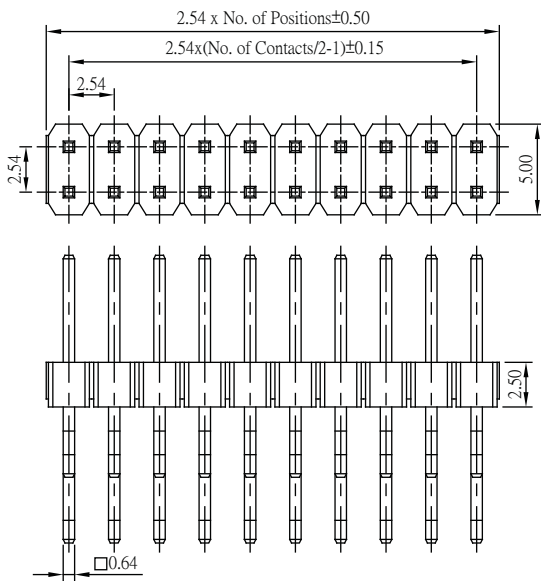
Material

Insulator: Polyester, UL 94V-0
 ©Standard: Nylon 6T
 Terminal: Copper Alloy
 Plating: Gold Plated



Part No.: PH1MR-1XX-U

Pin Header 2.54mm 2 Row H=2.5mm SMT R/A Type



Part No.: PH1MR-2XX-U

ORDER INFORMATION

