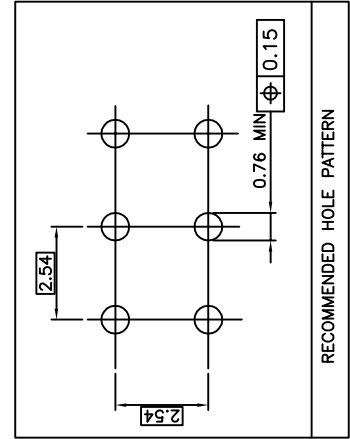
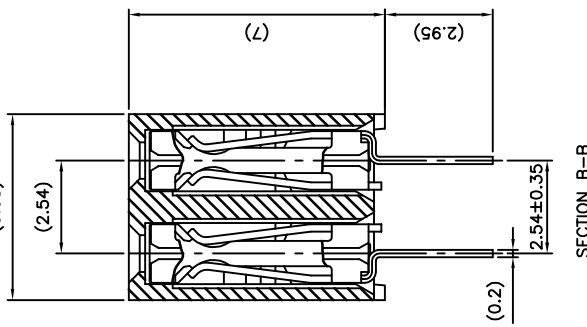
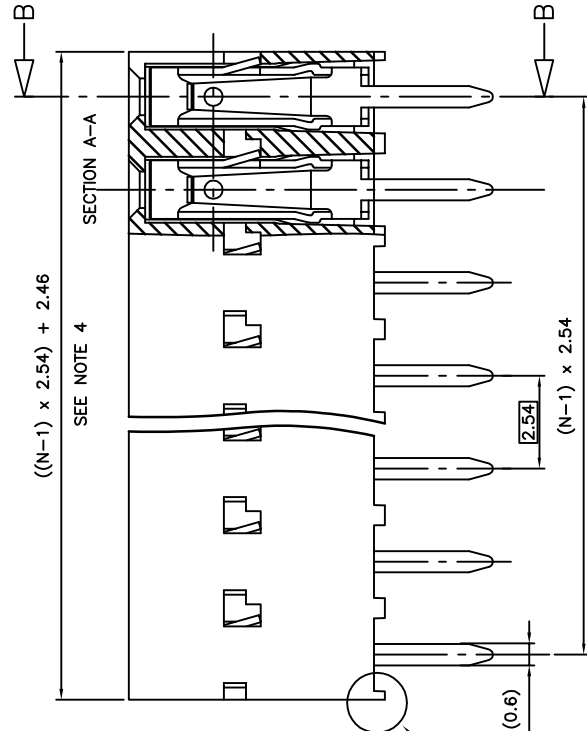
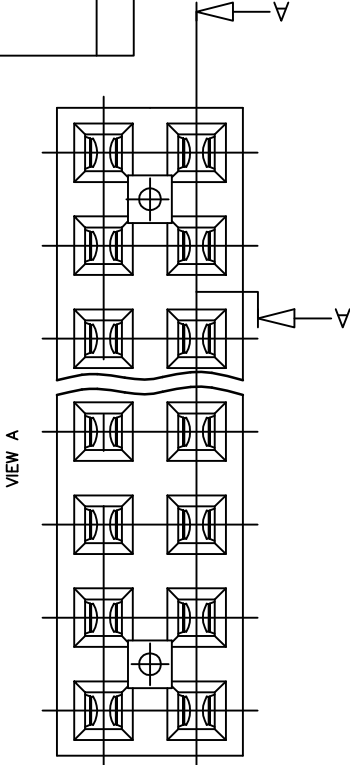


CONTACT PLACED IN CAVITY ( TABLE ACCORDING VIEW A )

	1	2	3	4	5	6	7	8	9	10	11	12	13	14	15	16	17	18	19	20	21	22	23	24	25	26	27	28	29	30	31	32	
71966-Y01(LF)	X	X	X	X	X	X	X	X	X	X	X	X	X	X	X	X	X	X	X	X	X	X	X	X	X	X	X	X	X	X	X	X	X
71966-Y02(LF)	X	X	X	X	X	X	X	X	X	X	X	X	X	X	X	X	X	X	X	X	X	X	X	X	X	X	X	X	X	X	X	X	X
71966-Y03(LF)	X	X	X	X	X	X	X	X	X	X	X	X	X	X	X	X	X	X	X	X	X	X	X	X	X	X	X	X	X	X	X	X	X
71966-Y04(LF)	X	X	X	X	X	X	X	X	X	X	X	X	X	X	X	X	X	X	X	X	X	X	X	X	X	X	X	X	X	X	X	X	X
71966-Y05(LF)	X	X	X	X	X	X	X	X	X	X	X	X	X	X	X	X	X	X	X	X	X	X	X	X	X	X	X	X	X	X	X	X	X
71966-Y06(LF)	X	X	X	X	X	X	X	X	X	X	X	X	X	X	X	X	X	X	X	X	X	X	X	X	X	X	X	X	X	X	X	X	X
71966-Y07(LF)	X	X	X	X	X	X	X	X	X	X	X	X	X	X	X	X	X	X	X	X	X	X	X	X	X	X	X	X	X	X	X	X	X
71966-Y08(LF)	X	X	X	X	X	X	X	X	X	X	X	X	X	X	X	X	X	X	X	X	X	X	X	X	X	X	X	X	X	X	X	X	X
71966-Y09(LF)	X	X	X	X	X	X	X	X	X	X	X	X	X	X	X	X	X	X	X	X	X	X	X	X	X	X	X	X	X	X	X	X	X
71966-Y10(LF)	X	X	X	X	X	X	X	X	X	X	X	X	X	X	X	X	X	X	X	X	X	X	X	X	X	X	X	X	X	X	X	X	X



PRODUCT NUMBER	HOUSING NB OF POS	1	2	3	4	5	6	7	8	9	10	11	12	13	14	15	16	17	18	19	20	21	22	23	24	25	26	27	28	29	30	31	32
71966-Y01(LF)	2 X 32	X	X	X	X	X	X	X	X	X	X	X	X	X	X	X	X	X	X	X	X	X	X	X	X	X	X	X	X	X	X	X	X
71966-Y02(LF)	2 X 12	X	X	X	X	X	X	X	X	X	X	X	X	X	X	X	X	X	X	X	X	X	X	X	X	X	X	X	X	X	X	X	X
71966-Y03(LF)	2 X 17	X	X	X	X	X	X	X	X	X	X	X	X	X	X	X	X	X	X	X	X	X	X	X	X	X	X	X	X	X	X	X	X
71966-Y04(LF)	2 X 17	X	X	X	X	X	X	X	X	X	X	X	X	X	X	X	X	X	X	X	X	X	X	X	X	X	X	X	X	X	X	X	X
71966-Y05(LF)	2 X 17	X	X	X	X	X	X	X	X	X	X	X	X	X	X	X	X	X	X	X	X	X	X	X	X	X	X	X	X	X	X	X	X
71966-Y06(LF)	2 X 14	X	X	X	X	X	X	X	X	X	X	X	X	X	X	X	X	X	X	X	X	X	X	X	X	X	X	X	X	X	X	X	X
71966-Y07(LF)	2 X 18	X	X	X	X	X	X	X	X	X	X	X	X	X	X	X	X	X	X	X	X	X	X	X	X	X	X	X	X	X	X	X	X
71966-Y08(LF)	2 X 18	X	X	X	X	X	X	X	X	X	X	X	X	X	X	X	X	X	X	X	X	X	X	X	X	X	X	X	X	X	X	X	X
71966-Y09(LF)	2 X 19	X	X	X	X	X	X	X	X	X	X	X	X	X	X	X	X	X	X	X	X	X	X	X	X	X	X	X	X	X	X	X	X
71966-Y10(LF)	2 X 05	X	X	X	X	X	X	X	X	X	X	X	X	X	X	X	X	X	X	X	X	X	X	X	X	X	X	X	X	X	X	X	X

WHEN NEEDED, SUFFIX LETTER "LF" INDICATES THE PRODUCT IS RoHS COMPATIBLE, SEE NOTE 3

- NOTES :
- 1 - MATERIAL HOUSING: THERMOPLASTIC POLYESTER 30% GLASS FILLED COLOUR BLUE. FLAME RETARDANT PER UL-94 CATEGORY V0.
  - 2 - MATERIAL TERMINAL: PHOSPHOR BRONZE EXTRA HARD.
  - 3 - PRODUCT PACKAGED IN TUBES
  - 4 - TO DETERMINE DIMENSIONS : N = NUMBER OF POSITIONS PER ROW  
EXAMPLE : 8 POS N x 2.54 = 20.32mm
  - 5 - RoHS COMPATIBLE PRODUCT SPECIFICATIONS
    - a - PLATING:
    - "LF" MEANS THE PRODUCT IS LEAD-FREE, 2µm MINIMUM MATTE TIN OVER 1.27µm MINIMUM NICKEL UNDERPLATE.
    - b - MANUFACTURING PROCESS COMPATIBILITY
    - THE HOUSING WILL WITHSTAND EXPOSURE TO 260°C ±5°C SOLDER BATH TEMPERATURE FOR 5 SECONDS IN A WAVE SOLDER APPLICATION WITH A 1.6mm MIN THICK CIRCUIT BOARD.
    - c - LABELING:
    - MEETS PACKAGING SPECS AS PER GS-14-920
    - LEGAL STATEMENT: SEE GS-22-008
    - d - END STAND-OFFS FOR 2x4 UP TO 2x5 POS  
NO END STAND-OFFS FOR 2x6 UP TO 2x50 POS

71966-4XXLF	5µm SnPb	Sn
71966-3XXLF	0.76 µm GOLD	Sn
71966-4XX	5µm SnPb	SnPb
71966-3XX	0.76 µm GOLD	SnPb
PLATING CODE	CONTACT AREA	SOLDER TAIL
	PLATING THICKNESS OVER 1.27µm Ni	

mat'l. code	surface	Tolerance	projection	product family
SEE NOTES	ISO 1902	ISO 146 ISO 111	mm	DX VCC DR
itr	ec'n no	date	tolerance unless otherwise specified	file
J	F11-0076	LMJU11.06.10	linear	TOP ENTRY
K	F12-0016	APA12.02.01	mm	SELECTED LOADED
L	B-17195	LMJU14.03.11	scale 10:1	sheet 1 of 1 size
M	B17352	LMJU14.03.31	mm	71966
P	F07-027	LMJU07.12.06	linear	customer
g	F07-027	LMJU07.12.06	mm	Drawing
H	F10-0033	LMJU10.07.05	mm	
sheet	revision	app'd	mm	
index	sheet	index	mm	