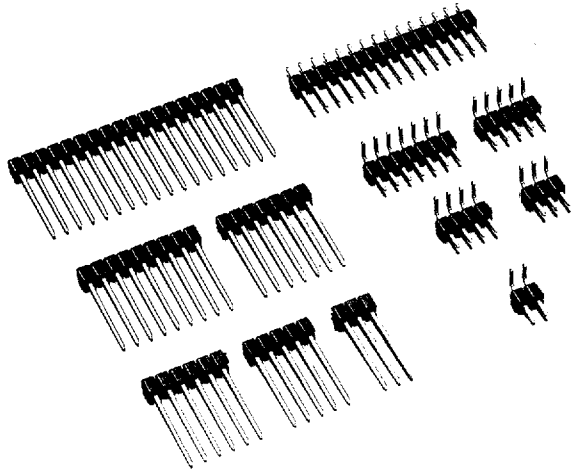




2.5mm
(.098") pitch

TB HEADER

Headers



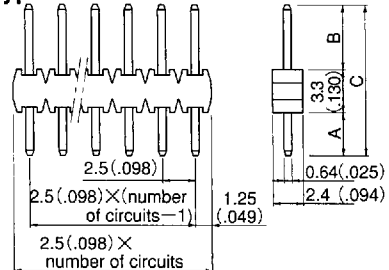
This header, measuring 2.5mm (.098") in pitch, can be easily cut into any required length. Thus, only one size needs to be stocked for prototyping and preproduction purposes.

Specifications

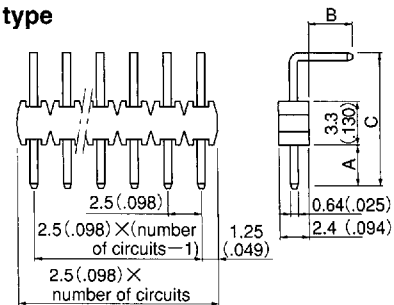
- Number of circuits: 2 to 24
 - Applicable PC board thickness: 1.6mm(.063")
 - Post size: 0.5mm(.020")square
 - Material
 - Post: Brass, tin/lead plated, copper-undercoatd
 - Wafer: Grass-filled PBT, UL94V-0, Black
- * Contact JST for details.

Header

Top entry type



Side entry type

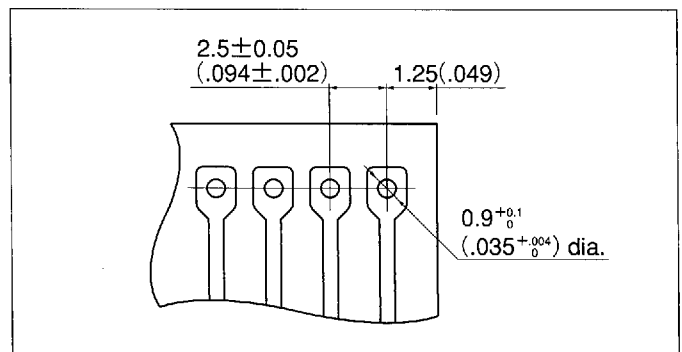


Circuits	Model No.	
	Top entry type	Side entry type
2 to 24	B ()P-TB (*)	B ()PS-TB (*)

Note:

1. The number of circuits (2 to 23) will be filled in the parentheses above.
2. (*) differs according to the dimensions A, B & C, and to the post clinching specification.

PC board layout (viewed from soldering side)



Note:

1. Tolerances are non-cumulative: $\pm 0.05\text{mm}(\pm .002")$ for all centers.
2. Hole dimensions differ according to the kind of PC board and piercing method. The dimensions above should serve as a guideline. Contact JST for details.