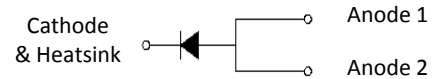
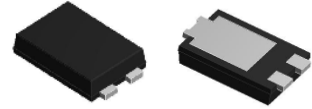


## Features

- Schottky barrier diodes
- Low forward voltage drop
- Low leakage current
- Moisture sensitivity: level 1, per J-STD-020
- Solder dip 260 °C, 10 s
- Low profile



## TYPICAL APPLICATIONS

For use in low voltage, high frequency inverters, free wheeling, and polarity protection application

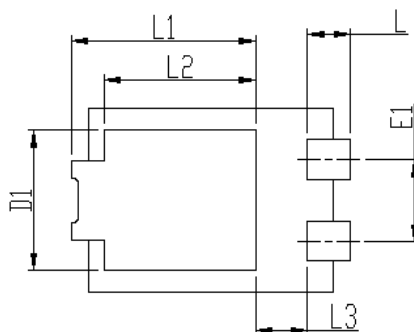
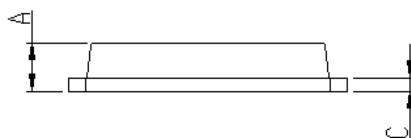
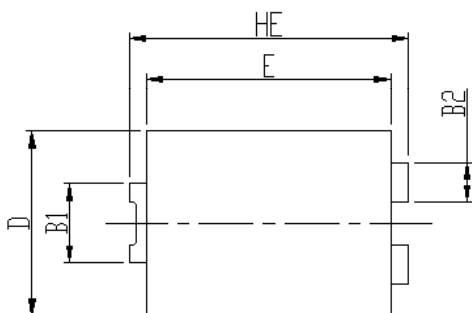
MAXIMUM RATINGS (TA = 25 °C unless otherwise noted)				
PARAMETER	SYMBOL	SGC0360SH	SGC031BSH	UNIT
Maximum repetitive peak reverse voltage	VRRM	60	100	V
Maximum RMS voltage	VRMS	42	70	V
Maximum DC blocking voltage	VDC	60	100	V
Maximum average forward rectified current	IF(AV)	3.0		A
Peak forward surge current 8.3 ms single half sine-wave superimposed on rated load	IFSM	100		A
Operating junction and storage temperature range	TJ, TSTG	- 55 to + 175		°C

ELECTRICAL CHARACTERISTICS (TA = 25 °C unless otherwise noted)					
PARAMETER	TEST CONDITIONS	SYMBOL	SGC0360SH	SGC031BSH	UNIT
Maximum instantaneous forward voltage	IF=3A, Tj=25	VF	0.65	0.79	Volts
	IF=3A, Tj=125		TBD		
Maximum DC reverse current at rated DC blocking voltage	TA=25	IR	0.02	0.01	mA
	TA=125		TBD		
Typical junction capacitance	4.0 V, 1 MHz	CJ	TBD		pF
Typical thermal resistance	junction to lead	RθJL	TBD		°C/W

## RATINGS AND CHARACTERISTICS CURVES

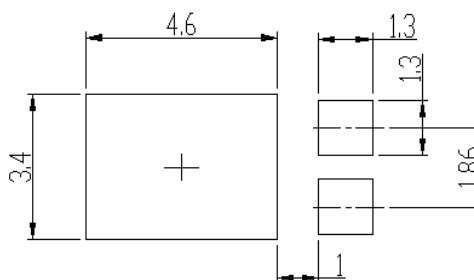
(TBD)

## PACKAGE OUTLINE DIMENSIONS (in millimeters)



DIM	Unit: mm		Unit: inch	
	MIN	MAX	MIN	MAX
HE	6.4	6.6	0.252	0.260
E	5.6	5.8	0.220	0.228
D	4.1	4.3	0.161	0.169
B1	1.7	1.9	0.067	0.075
B2	0.8	1	0.031	0.039
A	1.05	1.2	0.041	0.047
C	0.3	0.4	0.012	0.016
L	0.85	1.1	0.033	0.043
L1	4.2	4.4	0.165	0.173
L2	3.52 Typ.		0.139 Typ.	
L3	1.1	1.4	0.043	0.055
D1	3	3.3	0.118	0.130
E1	1.86 Typ.		0.073 Typ.	

Soldering footprint



## PACKING INFORMATION

### Packing quantities:

5000 pcs/Reel , 12mm Tape, 13" Reel

### Tape & Reel Specification

