

6

5

4

3

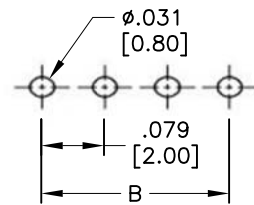
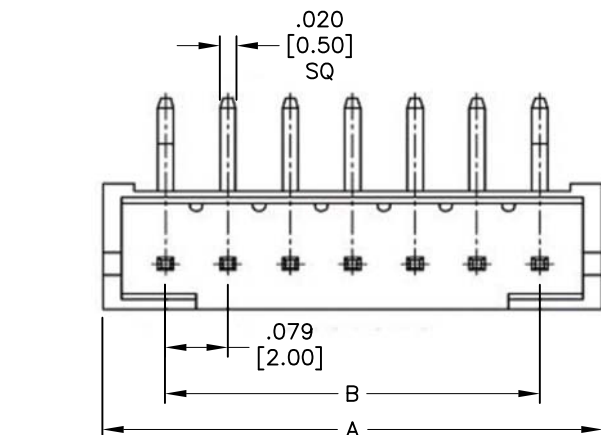
2

1

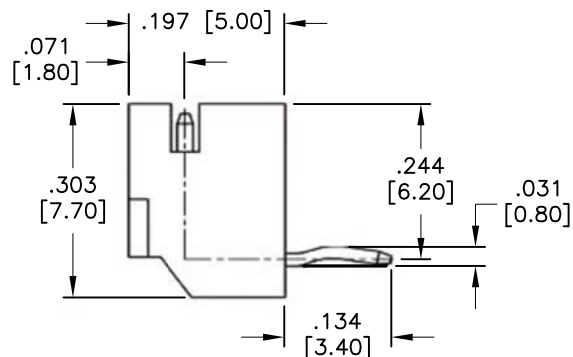
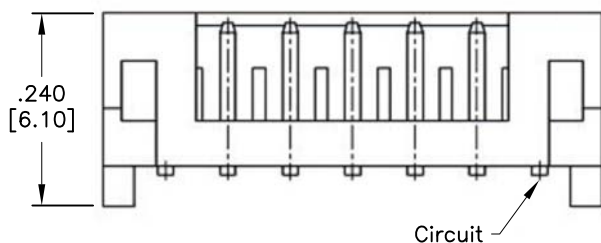
APPROVED: \_\_\_\_\_

DATE: \_\_\_\_\_ TITLE: \_\_\_\_\_

Rev	AWO #	Description	Date	Appr
-		RELEASED	4/6/05	
A		REDRAWN	4/13/09	
B		REVISED DIM.	9/13/11	
C		UPDATE DRAWING	10/8/19	LH/JC



RECOMMENDED PCB LAYOUT



SPECIFICATIONS:

Material:  
 Insulator: Nylon 66, rated UL 94V-0  
 Insulator color: Brown  
 Contacts: Brass

Plating:  
 Tin over Copper underplate overall

Electrical:  
 Voltage rating: 300 V AC/DC  
 Current rating: 3 A AC/DC  
 Contact resistance: 20 mohms max  
 Insulation resistance: 100 Mohms min  
 Dielectric withstanding voltage: 1,000 VAC for 1 minute  
 Temperature Rating:  
 -25°C to +85°C  
 Environmental:  
 Lead free, RoHS compliant



Positions: 2 thru 15  
 A = .079 [2.00] x No. of Positions + .079 [2.00]  
 B = .079 [2.00] x No. of Spaces

UNLESS OTHERWISE SPECIFIED ALL DIMENSIONS ARE INCHES [MM] TOLERANCES: EXCEPT AS NOTED INCHES		909 Rahway Avenue, Union, NJ 07083 Phone: 908-687-5000 Fax: 908-687-5710	
HOLES		<b>ADAM</b> <b>TECH</b> INTERCONNECTS	
.X ± .10	Ø.X ± .10	TITLE .079 [2.00] SHROUDED HEADER RIGHT ANGLE, PCB	
.XX ± .020	Ø.XX ± .015		
.XXX ± .015	Ø.XXX ± .010		
APPROVALS		DATE	
DRAWN	SS	4/6/05	
CHECKED			
APPROVED			
SIZE X	PART NO. 2SH-B-XX-TR	REV. C	
REF: S00099T	SCALE: NTS	SHEET 1 OF 1	

6

5

4

3

2

1