



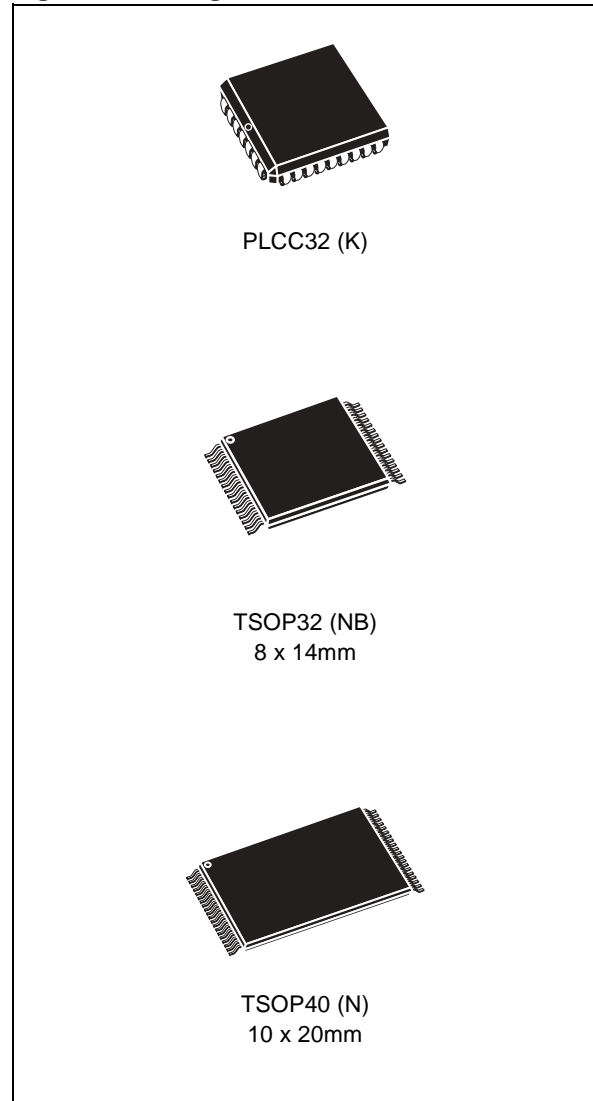
## M50FW040

4 Mbit (512Kb x8, Uniform Block)  
3V Supply Firmware Hub Flash Memory

### FEATURES SUMMARY

- **SUPPLY VOLTAGE**
  - $V_{CC} = 3V$  to 3.6V for Program, Erase and Read Operations
  - $V_{PP} = 12V$  for Fast Erase (optional)
- **TWO INTERFACES**
  - Firmware Hub (FWH) Interface for embedded operation with PC Chipsets.
  - Address/Address Multiplexed (A/A Mux) Interface for programming equipment compatibility.
- **FIRMWARE HUB (FWH) HARDWARE INTERFACE MODE**
  - 5 Signal Communication Interface supporting Read and Write Operations
  - Hardware Write Protect Pins for Block Protection
  - Register Based Read and Write Protection
  - 5 Additional General Purpose Inputs for platform design flexibility
  - Synchronized with 33MHz PCI clock
- **PROGRAMMING TIME: 10 $\mu$ s typical**
- **8 UNIFORM 64 Kbyte MEMORY BLOCKS**
- **PROGRAM/ERASE CONTROLLER**
  - Embedded Byte Program and Block Erase algorithms
  - Status Register Bits
- **PROGRAM and ERASE SUSPEND**
  - Read other Blocks during Program/Erase Suspend
  - Program other Blocks during Erase Suspend
- **FOR USE in PC BIOS APPLICATIONS**
- **ELECTRONIC SIGNATURE**
  - Manufacturer Code: 20h
  - Device Code: 2Ch

Figure 1. Packages



## TABLE OF CONTENTS

<b>FEATURES SUMMARY</b> .....	<b>1</b>
Figure 1. Packages .....	1
<b>SUMMARY DESCRIPTION</b> .....	<b>6</b>
Figure 2. Logic Diagram (FWH Interface) .....	6
Table 1. Signal Names (FWH Interface) .....	6
Figure 3. Logic Diagram (A/A Mux Interface) .....	7
Table 2. Signal Names (A/A Mux Interface) .....	7
Figure 4. PLCC Connections .....	7
Figure 5. TSOP32 Connections .....	8
Figure 6. TSOP40 Connections .....	8
<b>SIGNAL DESCRIPTIONS</b> .....	<b>9</b>
<b>Firmware Hub (FWH) Signal Descriptions</b> .....	<b>9</b>
Input/Output Communications (FWH0-FWH3) .....	9
Input Communication Frame (FWH4) .....	9
Identification Inputs (ID0-ID3) .....	9
General Purpose Inputs (FGPI0-FGPI4) .....	9
Interface Configuration (IC) .....	9
Interface Reset (RP) .....	9
CPU Reset ( $\overline{\text{INIT}}$ ) .....	9
Clock (CLK) .....	9
Top Block Lock ( $\overline{\text{TBL}}$ ) .....	9
Write Protect ( $\overline{\text{WP}}$ ) .....	9
Reserved for Future Use (RFU) .....	10
<b>Address/Address Multiplexed (A/A Mux) Signal Descriptions</b> .....	<b>10</b>
Address Inputs (A0-A10) .....	10
Data Inputs/Outputs (DQ0-DQ7) .....	10
Output Enable ( $\overline{\text{G}}$ ) .....	10
Write Enable ( $\overline{\text{W}}$ ) .....	10
Row/Column Address Select ( $\overline{\text{RC}}$ ) .....	10
Ready/Busy Output ( $\overline{\text{RB}}$ ) .....	10
<b>Supply Signal Descriptions</b> .....	<b>10</b>
V <sub>CC</sub> Supply Voltage .....	10
V <sub>PP</sub> Optional Supply Voltage .....	10
V <sub>SS</sub> Ground .....	10
Table 3. Block Addresses .....	10
<b>BUS OPERATIONS</b> .....	<b>11</b>
<b>Firmware Hub (FWH) Bus Operations</b> .....	<b>11</b>
Bus Read .....	11
Bus Write .....	11
Bus Abort .....	11

Standby. . . . .	11
Reset. . . . .	11
Block Protection. . . . .	11
<b>Address/Address Multiplexed (A/A Mux) Bus Operations. . . . .</b>	<b>11</b>
Bus Read. . . . .	12
Bus Write. . . . .	12
Output Disable. . . . .	12
Reset. . . . .	12
Table 4. FWH Bus Read Field Definitions. . . . .	12
Figure 7. FWH Bus Read Waveforms. . . . .	13
Table 5. FWH Bus Write Field Definitions. . . . .	13
Figure 8. FWH Bus Write Waveforms. . . . .	13
<b>COMMAND INTERFACE . . . . .</b>	<b>14</b>
Read Memory Array Command. . . . .	14
Read Status Register Command. . . . .	14
Read Electronic Signature Command. . . . .	14
Program Command. . . . .	14
Erase Command. . . . .	14
Clear Status Register Command. . . . .	14
Program/Erase Suspend Command. . . . .	15
Program/Erase Resume Command. . . . .	15
Table 6. Read Electronic Signature. . . . .	15
Table 7. Commands. . . . .	16
<b>STATUS REGISTER . . . . .</b>	<b>17</b>
Program/Erase Controller Status (Bit 7). . . . .	17
Erase Suspend Status (Bit 6). . . . .	17
Erase Status (Bit 5). . . . .	17
Program Status (Bit 4). . . . .	17
V <sub>PP</sub> Status (Bit 3). . . . .	17
Program Suspend Status (Bit 2). . . . .	18
Block Protection Status (Bit 1). . . . .	18
Reserved (Bit 0). . . . .	18
Table 8. Status Register Bits. . . . .	18
<b>FIRMWARE HUB (FWH) INTERFACE CONFIGURATION REGISTERS . . . . .</b>	<b>19</b>
<b>Lock Registers. . . . .</b>	<b>19</b>
Write Lock. . . . .	19
Read Lock. . . . .	19
Lock Down. . . . .	19
<b>Firmware Hub (FWH) General Purpose Input Register . . . . .</b>	<b>19</b>
<b>Manufacturer Code Register . . . . .</b>	<b>19</b>
<b>Device Code Register . . . . .</b>	<b>19</b>
<b>Firmware Hub (FWH) General Purpose Input Register . . . . .</b>	<b>19</b>
<b>Manufacturer Code Register . . . . .</b>	<b>19</b>

<b>Device Code Register</b> .....	<b>19</b>
Table 9. Firmware Hub Register Configuration Map .....	20
Table 10. Lock Register Bit Definitions .....	20
Table 11. General Purpose Inputs Register Definition .....	20
<b>PROGRAM AND ERASE TIMES</b> .....	<b>21</b>
Table 12. Program and Erase Times .....	21
<b>MAXIMUM RATING</b> .....	<b>22</b>
Table 13. Absolute Maximum Ratings .....	22
<b>DC AND AC PARAMETERS</b> .....	<b>23</b>
Table 14. Operating Conditions .....	23
Table 15. FWH Interface AC Measurement Conditions .....	23
Table 16. A/A Mux Interface AC Measurement Conditions .....	23
Figure 9. FWH Interface AC Testing Input Output Waveforms .....	23
Figure 10. A/A Mux Interface AC Testing Input Output Waveform .....	24
Table 17. Impedance .....	24
Table 18. DC Characteristics .....	25
Figure 11. FWH Interface Clock Waveform .....	26
Table 19. FWH Interface Clock Characteristics .....	26
Figure 12. FWH Interface AC Signal Timing Waveforms .....	27
Table 20. FWH Interface AC Signal Timing Characteristics .....	27
Figure 13. Reset AC Waveforms .....	28
Table 21. Reset AC Characteristics .....	28
Figure 14. A/A Mux Interface Read AC Waveforms .....	29
Table 22. A/A Mux Interface Read AC Characteristics .....	29
Figure 15. A/A Mux Interface Write AC Waveforms .....	30
Table 23. A/A Mux Interface Write AC Characteristics .....	30
<b>PACKAGE MECHANICAL</b> .....	<b>31</b>
Figure 16. PLCC32 – 32 pin Rectangular Plastic Leaded Chip Carrier, Package Outline .....	31
Table 24. PLCC32 – 32 pin Rectangular Plastic Leaded Chip Carrier, Package Mechanical Data .....	32
Figure 17. TSOP32 – 32 lead Plastic Thin Small Outline, 8x14 mm, Package Outline .....	33
Table 25. TSOP32 – 32 lead Plastic Thin Small Outline, 8x14 mm, Package Mechanical Data .....	33
Figure 18. TSOP40 – 40 lead Plastic Thin Small Outline, 10x20 mm, Package Outline .....	34
Table 26. TSOP40 – 40 lead Plastic Thin Small Outline, 10x20 mm, Package Mechanical Data .....	34
<b>PART NUMBERING</b> .....	<b>35</b>
Table 27. Ordering Information Scheme .....	35
<b>FLOWCHARTS AND PSEUDO CODES</b> .....	<b>36</b>
Figure 19. Program Flowchart and Pseudo Code .....	36
Figure 20. Program Suspend & Resume Flowchart and Pseudo Code .....	37
Figure 21. Erase Flowchart and Pseudo Code .....	38

Figure 22.Erase Suspend & Resume Flowchart and Pseudo Code ..... 39

**REVISION HISTORY**..... **40**

Table 28. Document Revision History ..... 40

### SUMMARY DESCRIPTION

The M50FW040 is a 4 Mbit (512Kb x8) non-volatile memory that can be read, erased and reprogrammed. These operations can be performed using a single low voltage (3.0 to 3.6V) supply. For fast erasing in production lines an optional 12V power supply can be used to reduce the erasing time.

The memory is divided into blocks that can be erased independently so it is possible to preserve valid data while old data is erased. Blocks can be protected individually to prevent accidental Program or Erase commands from modifying the memory. Program and Erase commands are written to the Command Interface of the memory. An on-chip Program/Erase Controller simplifies the process of programming or erasing the memory by taking care of all of the special operations that are required to update the memory contents. The end of a program or erase operation can be detected

and any error conditions identified. The command set required to control the memory is consistent with JEDEC standards.

Two different bus interfaces are supported by the memory. The primary interface, the Firmware Hub (or FWH) Interface, uses Intel's proprietary FWH protocol. This has been designed to remove the need for the ISA bus in current PC Chipsets; the M50FW040 acts as the PC BIOS on the Low Pin Count bus for these PC Chipsets.

The secondary interface, the Address/Address Multiplexed (or A/A Mux) Interface, is designed to be compatible with current Flash Programmers for production line programming prior to fitting to a PC Motherboard.

The memory is offered in TSOP32 (8 x 14mm), TSOP40 (10 x 20mm) and PLCC32 packages and it is supplied with all the bits erased (set to '1').

Figure 2. Logic Diagram (FWH Interface)

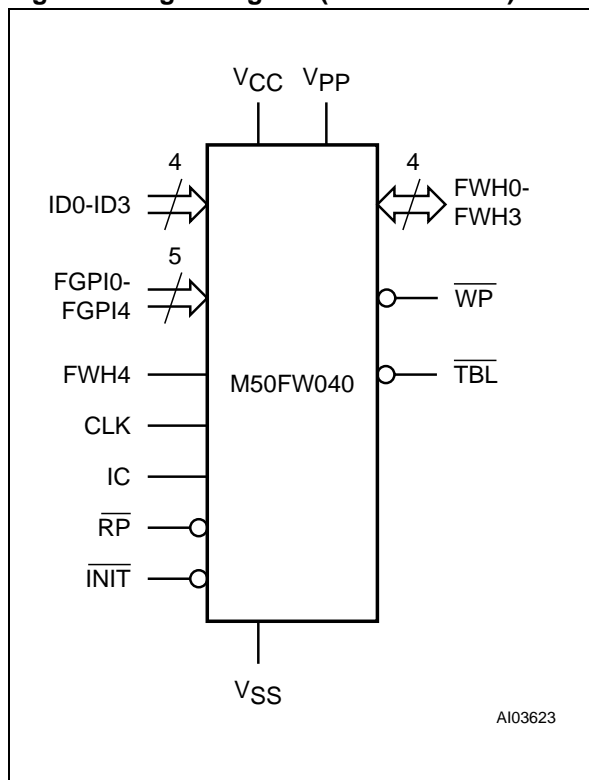


Table 1. Signal Names (FWH Interface)

FWH0-FWH3	Input/Output Communications
FWH4	Input Communication Frame
ID0-ID3	Identification Inputs
FGPI0-FGPI4	General Purpose Inputs
IC	Interface Configuration
$\overline{RP}$	Interface Reset
$\overline{INIT}$	CPU Reset
CLK	Clock
$\overline{TBL}$	Top Block Lock
$\overline{WP}$	Write Protect
RFU	Reserved for Future Use. Leave disconnected
VCC	Supply Voltage
VPP	Optional Supply Voltage for Fast Erase Operations
VSS	Ground
NC	Not Connected Internally

Figure 3. Logic Diagram (A/A Mux Interface)

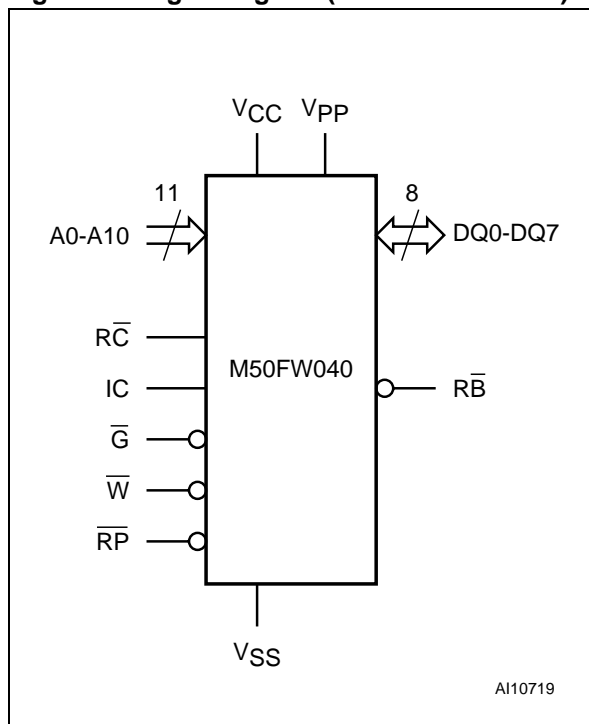
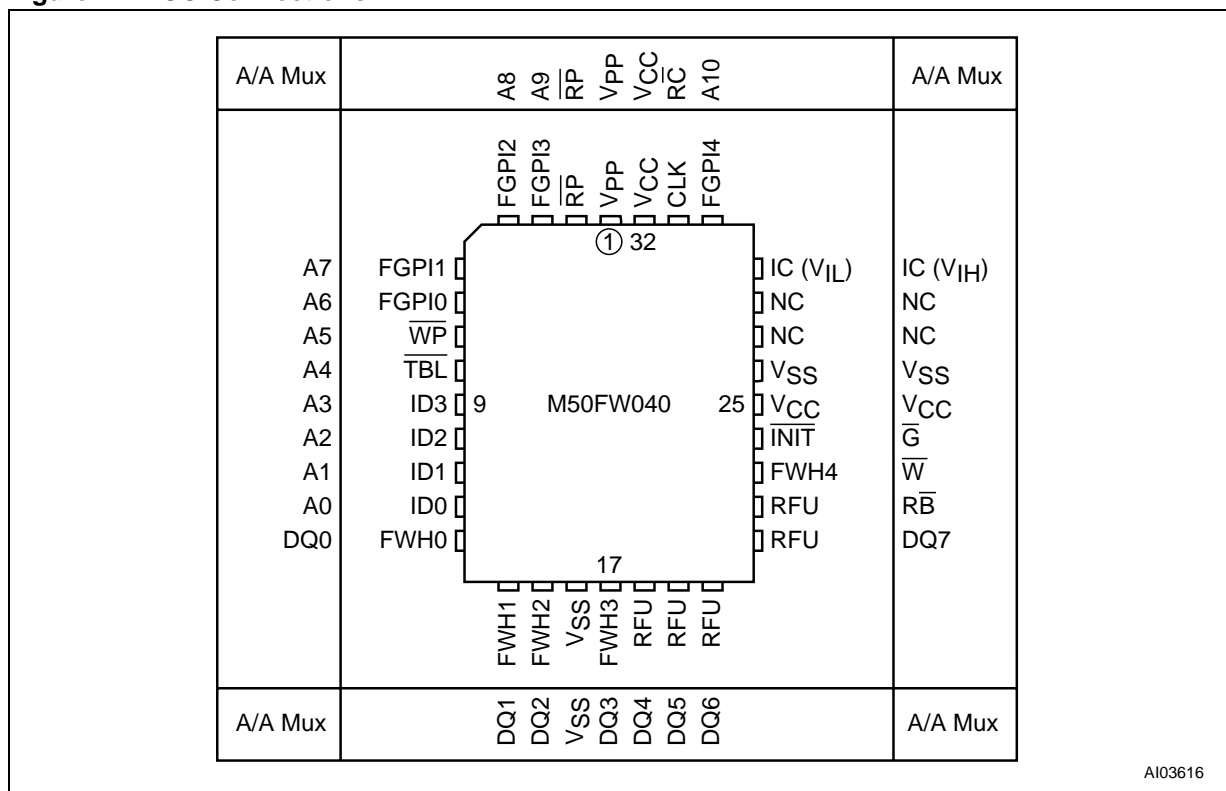


Table 2. Signal Names (A/A Mux Interface)

IC	Interface Configuration
A0-A10	Address Inputs
DQ0-DQ7	Data Inputs/Outputs
$\overline{G}$	Output Enable
$\overline{W}$	Write Enable
$\overline{RC}$	Row/Column Address Select
$\overline{RB}$	Ready/Busy Output
$\overline{RP}$	Interface Reset
VCC	Supply Voltage
VPP	Optional Supply Voltage for Fast Program and Erase Operations
VSS	Ground
NC	Not Connected Internally

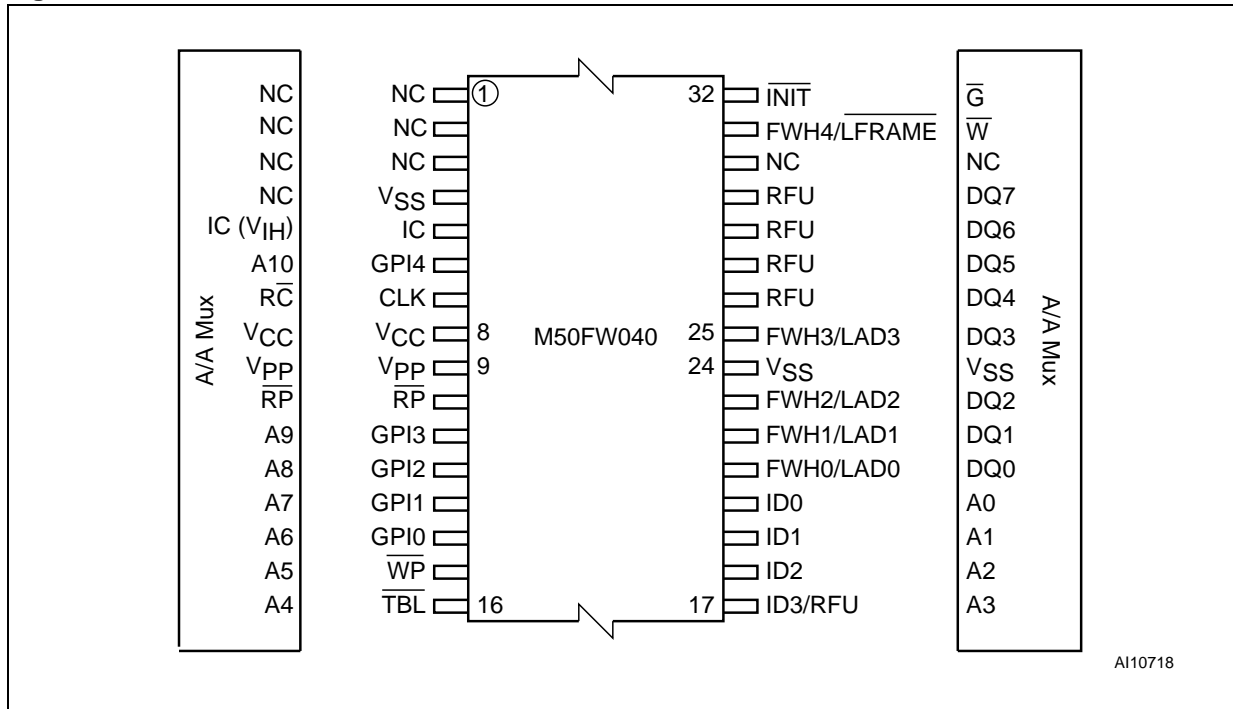
Figure 4. PLCC Connections



Note: Pins 27 and 28 are not internally connected.

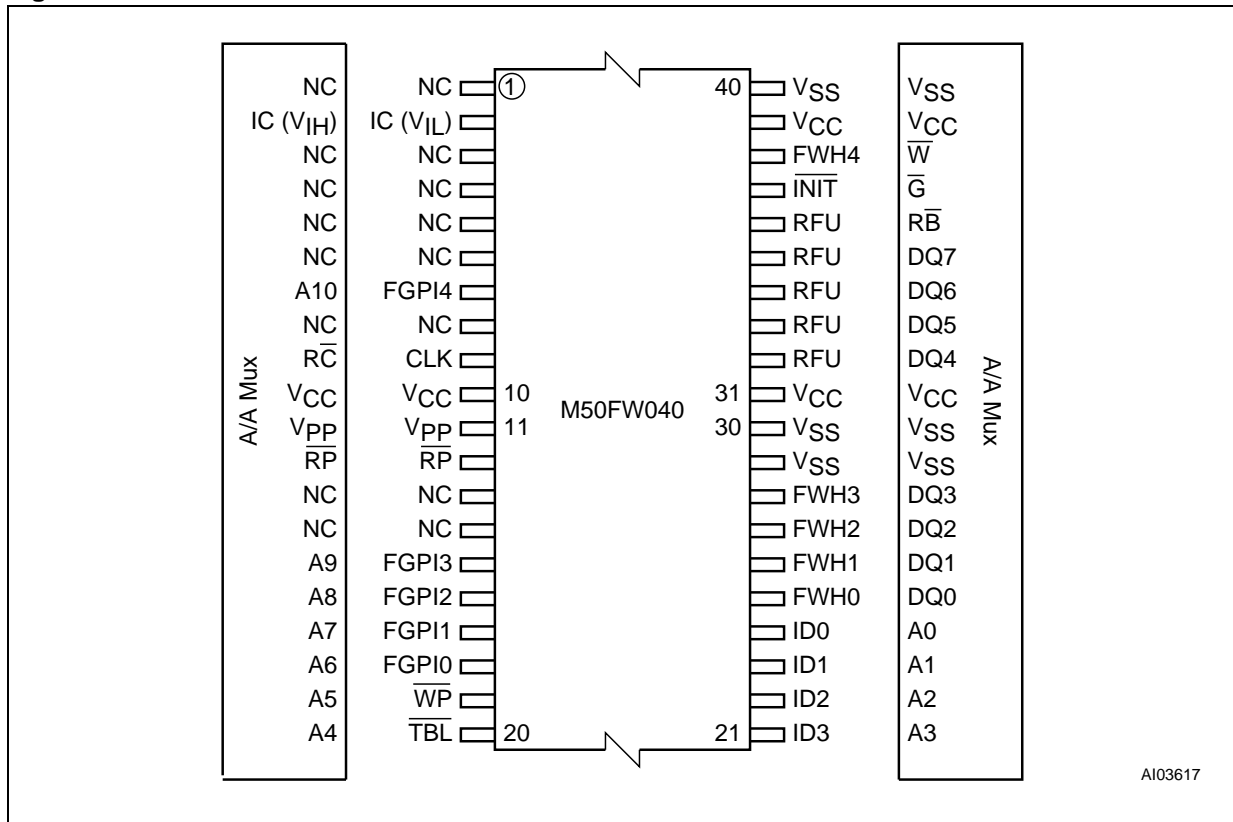
# M50FW040

Figure 5. TSOP32 Connections



1. the RB pin is not available for the A/A Mux interface in the TSOP32 package.

Figure 6. TSOP40 Connections





## SIGNAL DESCRIPTIONS

There are two different bus interfaces available on this part. The active interface is selected before power-up or during Reset using the Interface Configuration Pin, IC.

The signals for each interface are discussed in the [Firmware Hub \(FWH\) Signal Descriptions](#) section and the [Address/Address Multiplexed \(A/A Mux\) Signal Descriptions](#) section below. The supply signals are discussed in the [Supply Signal Descriptions](#) section below.

### Firmware Hub (FWH) Signal Descriptions

For the Firmware Hub (FWH) Interface see [Figure 2., Logic Diagram \(FWH Interface\)](#), and [Table 1., Signal Names \(FWH Interface\)](#).

**Input/Output Communications (FWH0-FWH3).** All Input and Output Communication with the memory take place on these pins. Addresses and Data for Bus Read and Bus Write operations are encoded on these pins.

**Input Communication Frame (FWH4).** The Input Communication Frame (FWH4) signals the start of a bus operation. When Input Communication Frame is Low,  $V_{IL}$ , on the rising edge of the Clock a new bus operation is initiated. If Input Communication Frame is Low,  $V_{IL}$ , during a bus operation then the operation is aborted. When Input Communication Frame is High,  $V_{IH}$ , the current bus operation is proceeding or the bus is idle.

**Identification Inputs (ID0-ID3).** The Identification Inputs select the address that the memory responds to. Up to 16 memories can be addressed on a bus. For an address bit to be '0' the pin can be left floating or driven Low,  $V_{IL}$ ; an internal pull-down resistor is included with a value of  $R_{IL}$ . For an address bit to be '1' the pin must be driven High,  $V_{IH}$ ; there will be a leakage current of  $I_{L12}$  through each pin when pulled to  $V_{IH}$ ; see [Table 18](#).

By convention the boot memory must have address '0000' and all additional memories take sequential addresses starting from '0001'.

**General Purpose Inputs (FGPI0-FGPI4).** The General Purpose Inputs can be used as digital inputs for the CPU to read. The General Purpose Inputs Register holds the values on these pins. The pins must have stable data from before the start of the cycle that reads the General Purpose Input Register until after the cycle is complete. These pins must not be left to float, they should be driven Low,  $V_{IL}$ , or High,  $V_{IH}$ .

**Interface Configuration (IC).** The Interface Configuration input selects whether the Firmware Hub (FWH) or the Address/Address Multiplexed (A/A Mux) Interface is used. The chosen interface must be selected before power-up or during a Reset and, thereafter, cannot be changed. The state of

the Interface Configuration, IC, should not be changed during operation.

To select the Firmware Hub (FWH) Interface the Interface Configuration pin should be left to float or driven Low,  $V_{IL}$ ; to select the Address/Address Multiplexed (A/A Mux) Interface the pin should be driven High,  $V_{IH}$ . An internal pull-down resistor is included with a value of  $R_{IL}$ ; there will be a leakage current of  $I_{L12}$  through each pin when pulled to  $V_{IH}$ ; see [Table 18](#).

**Interface Reset (RP).** The Interface Reset ( $\overline{RP}$ ) input is used to reset the memory. When Interface Reset (RP) is set Low,  $V_{IL}$ , the memory is in Reset mode: the outputs are put to high impedance and the current consumption is minimized. When RP is set High,  $V_{IH}$ , the memory is in normal operation. After exiting Reset mode, the memory enters Read mode.

**CPU Reset (INIT).** The CPU Reset,  $\overline{INIT}$ , pin is used to Reset the memory when the CPU is reset. It behaves identically to Interface Reset, RP, and the internal Reset line is the logical OR (electrical AND) of RP and INIT.

**Clock (CLK).** The Clock, CLK, input is used to clock the signals in and out of the Input/Output Communication Pins, FWH0-FWH3. The Clock conforms to the PCI specification.

**Top Block Lock (TBL).** The Top Block Lock input is used to prevent the Top Block (Block 7) from being changed. When Top Block Lock, TBL, is set Low,  $V_{IL}$ , Program and Erase operations in the Top Block have no effect, regardless of the state of the Lock Register. When Top Block Lock, TBL, is set High,  $V_{IH}$ , the protection of the Block is determined by the Lock Register. The state of Top Block Lock, TBL, does not affect the protection of the Main Blocks (Blocks 0 to 6).

Top Block Lock, TBL, must be set prior to a Program or Erase operation is initiated and must not be changed until the operation completes or unpredictable results may occur. Care should be taken to avoid unpredictable behavior by changing TBL during Program or Erase Suspend.

**Write Protect (WP).** The Write Protect input is used to prevent the Main Blocks (Blocks 0 to 6) from being changed. When Write Protect, WP, is set Low,  $V_{IL}$ , Program and Erase operations in the Main Blocks have no effect, regardless of the state of the Lock Register. When Write Protect, WP, is set High,  $V_{IH}$ , the protection of the Block determined by the Lock Register. The state of Write Protect, WP, does not affect the protection of the Top Block (Block 7).

Write Protect, WP, must be set prior to a Program or Erase operation is initiated and must not be changed until the operation completes or unpre-

dictable results may occur. Care should be taken to avoid unpredictable behavior by changing WP during Program or Erase Suspend.

**Reserved for Future Use (RFU).** These pins do not have assigned functions in this revision of the part. They must be left disconnected.

### Address/Address Multiplexed (A/A Mux) Signal Descriptions

For the Address/Address Multiplexed (A/A Mux) Interface see [Figure 2., Logic Diagram \(FWH Interface\)](#), and [Table 1., Signal Names \(FWH Interface\)](#).

**Address Inputs (A0-A10).** The Address Inputs are used to set the Row Address bits (A0-A10) and the Column Address bits (A11-A18). They are latched during any bus operation by the Row/Column Address Select input,  $\overline{RC}$ .

**Data Inputs/Outputs (DQ0-DQ7).** The Data Inputs/Outputs hold the data that is written to or read from the memory. They output the data stored at the selected address during a Bus Read operation. During Bus Write operations they represent the commands sent to the Command Interface of the internal state machine. The Data Inputs/Outputs, DQ0-DQ7, are latched during a Bus Write operation.

**Output Enable ( $\overline{G}$ ).** The Output Enable,  $\overline{G}$ , controls the Bus Read operation of the memory.

**Write Enable ( $\overline{W}$ ).** The Write Enable,  $\overline{W}$ , controls the Bus Write operation of the memory's Command Interface.

**Row/Column Address Select ( $\overline{RC}$ ).** The Row/Column Address Select input selects whether the Address Inputs should be latched into the Row Address bits (A0-A10) or the Column Address bits (A11-A18). The Row Address bits are latched on the falling edge of  $\overline{RC}$  whereas the Column Address bits are latched on the rising edge.

**Ready/Busy Output ( $\overline{RB}$ ).** The Ready/Busy pin gives the status of the memory's Program/Erase Controller. When Ready/Busy is Low,  $V_{OL}$ , the memory is busy with a Program or Erase operation and it will not accept any additional Program or Erase command except the Program/Erase Suspend command. When Ready/Busy is High,  $V_{OH}$ , the memory is ready for any Read, Program or Erase operation.

### Supply Signal Descriptions

The Supply Signals are the same for both interfaces.

**V<sub>CC</sub> Supply Voltage.** The V<sub>CC</sub> Supply Voltage supplies the power for all operations (Read, Program, Erase etc.).

The Command Interface is disabled when the V<sub>CC</sub> Supply Voltage is less than the Lockout Voltage, V<sub>LKO</sub>. This prevents Bus Write operations from accidentally damaging the data during power up, power down and power surges. If the Program/Erase Controller is programming or erasing during this time then the operation aborts and the memory contents being altered will be invalid. After V<sub>CC</sub> becomes valid the Command Interface is reset to Read mode.

A 0.1μF capacitor should be connected between the V<sub>CC</sub> Supply Voltage pins and the V<sub>SS</sub> Ground pin to decouple the current surges from the power supply. Both V<sub>CC</sub> Supply Voltage pins must be connected to the power supply. The PCB track widths must be sufficient to carry the currents required during program and erase operations.

**V<sub>PP</sub> Optional Supply Voltage.** The V<sub>PP</sub> Optional Supply Voltage pin is used to select the Fast Erase option of the memory and to protect the memory. When  $V_{PP} < V_{PPLK}$  Program and Erase operations cannot be performed and an error is reported in the Status Register if an attempt to change the memory contents is made. When  $V_{PP} = V_{CC}$  Program and Erase operations take place as normal. When  $V_{PP} = V_{PPH}$  Fast Erase operations are used. Any other voltage input to V<sub>PP</sub> will result in undefined behavior and should not be used.

V<sub>PP</sub> should not be set to V<sub>PPH</sub> for more than 80 hours during the life of the memory.

**V<sub>SS</sub> Ground.** V<sub>SS</sub> is the reference for all the voltage measurements.

**Table 3. Block Addresses**

Size (Kbytes)	Address Range	Block Number	Block Type
64	70000h-7FFFFh	7	Top Block
64	60000h-6FFFFh	6	Main Block
64	50000h-5FFFFh	5	Main Block
64	40000h-4FFFFh	4	Main Block
64	30000h-3FFFFh	3	Main Block
64	20000h-2FFFFh	2	Main Block
64	10000h-1FFFFh	1	Main Block
64	00000h-0FFFFh	0	Main Block

## BUS OPERATIONS

The two interfaces have similar bus operations but the signals and timings are completely different. The Firmware Hub (FWH) Interface is the usual interface and all of the functionality of the part is available through this interface. Only a subset of functions are available through the Address/Address Multiplexed (A/A Mux) Interface.

Follow the section [Firmware Hub \(FWH\) Bus Operations](#) below and the section [Address/Address Multiplexed \(A/A Mux\) Bus Operations](#) below for a description of the bus operations on each interface.

### Firmware Hub (FWH) Bus Operations

The Firmware Hub (FWH) Interface consists of four data signals (FWH0-FWH3), one control line (FWH4) and a clock (CLK). In addition protection against accidental or malicious data corruption can be achieved using two further signals (TBL and WP). Finally two reset signals (RP and INIT) are available to put the memory into a known state.

The data signals, control signal and clock are designed to be compatible with PCI electrical specifications. The interface operates with clock speeds up to 33MHz.

The following operations can be performed using the appropriate bus cycles: Bus Read, Bus Write, Standby, Reset and Block Protection.

**Bus Read.** Bus Read operations read from the memory cells, specific registers in the Command Interface or Firmware Hub Registers. A valid Bus Read operation starts when Input Communication Frame, FWH4, is Low,  $V_{IL}$ , as Clock rises and the correct Start cycle is on FWH0-FWH3. On the following clock cycles the Host will send the Memory ID Select, Address and other control bits on FWH0-FWH3. The memory responds by outputting Sync data until the wait-states have elapsed followed by Data0-Data3 and Data4-Data7.

Refer to [Table 4., FWH Bus Read Field Definitions](#), and [Figure 7., FWH Bus Read Waveforms](#), for a description of the Field definitions for each clock cycle of the transfer. See [Table 20., FWH Interface AC Signal Timing Characteristics](#), and [Figure 12., FWH Interface AC Signal Timing Waveforms](#), for details on the timings of the signals.

**Bus Write.** Bus Write operations write to the Command Interface or Firmware Hub Registers. A valid Bus Write operation starts when Input Communication Frame, FWH4, is Low,  $V_{IL}$ , as Clock rises and the correct Start cycle is on FWH0-FWH3. On the following Clock cycles the Host will send the Memory ID Select, Address, other control bits, Data0-Data3 and Data4-Data7 on FWH0-

FWH3. The memory outputs Sync data until the wait-states have elapsed.

Refer to [Table 5., FWH Bus Write Field Definitions](#), and [Figure 8., FWH Bus Write Waveforms](#), for a description of the Field definitions for each clock cycle of the transfer. See [Table 20., FWH Interface AC Signal Timing Characteristics](#), and [Figure 12., FWH Interface AC Signal Timing Waveforms](#), for details on the timings of the signals.

**Bus Abort.** The Bus Abort operation can be used to immediately abort the current bus operation. A Bus Abort occurs when FWH4 is driven Low,  $V_{IL}$ , during the bus operation; the memory will tri-state the Input/Output Communication pins, FWH0-FWH3.

Note that, during a Bus Write operation, the Command Interface starts executing the command as soon as the data is fully received; a Bus Abort during the final TAR cycles is not guaranteed to abort the command; the bus, however, will be released immediately.

**Standby.** When FWH4 is High,  $V_{IH}$ , the memory is put into Standby mode where FWH0-FWH3 are put into a high-impedance state and the Supply Current is reduced to the Standby level,  $I_{CC1}$ .

**Reset.** During Reset mode all internal circuits are switched off, the memory is deselected and the outputs are put in high-impedance. The memory is in Reset mode when Interface Reset, RP, or CPU Reset, INIT, is Low,  $V_{IL}$ . RP or INIT must be held Low,  $V_{IL}$ , for  $t_{PLPH}$ . The memory resets to Read mode upon return from Reset mode and the Lock Registers return to their default states regardless of their state before Reset, see [Table 10](#). If RP or INIT goes Low,  $V_{IL}$ , during a Program or Erase operation, the operation is aborted and the memory cells affected no longer contain valid data; the memory can take up to  $t_{PLRH}$  to abort a Program or Erase operation.

**Block Protection.** Block Protection can be forced using the signals Top Block Lock, TBL, and Write Protect, WP, regardless of the state of the Lock Registers.

### Address/Address Multiplexed (A/A Mux) Bus Operations

The Address/Address Multiplexed (A/A Mux) Interface has a more traditional style interface. The signals consist of a multiplexed address signals (A0-A10), data signals, (DQ0-DQ7) and three control signals (RC, G, W). An additional signal, RP, can be used to reset the memory.

The Address/Address Multiplexed (A/A Mux) Interface is included for use by Flash Programming equipment for faster factory programming. Only a

subset of the features available to the Firmware Hub (FWH) Interface are available; these include all the Commands but exclude the Security features and other registers.

The following operations can be performed using the appropriate bus cycles: Bus Read, Bus Write, Output Disable and Reset.

When the Address/Address Multiplexed (A/A Mux) Interface is selected all the blocks are unprotected. It is not possible to protect any blocks through this interface.

**Bus Read.** Bus Read operations are used to output the contents of the Memory Array, the Electronic Signature and the Status Register. A valid Bus Read operation begins by latching the Row Address and Column Address signals into the memory using the Address Inputs  $A_0$ - $A_{10}$ , and the Row/Column Address Select  $RC$ . Then Write Enable ( $W$ ) and Interface Reset ( $RP$ ) must be High,  $V_{IH}$ , and Output Enable,  $G$ , Low,  $V_{IL}$ , in order to perform a Bus Read operation. The Data Inputs/Outputs will output the value, see [Figure 14., A/A Mux Interface Read AC Waveforms](#), and [Table 22., A/A Mux Interface Read AC Characteristics](#), for details of when the output becomes valid.

**Bus Write.** Bus Write operations write to the Command Interface. A valid Bus Write operation begins by latching the Row Address and Column Address signals into the memory using the Address Inputs,  $A_0$ - $A_{10}$ , and the Row/Column Address Select  $RC$ . The data should be set up on the Data Inputs/Outputs; Output Enable,  $G$ , and Interface Reset,  $RP$ , must be High,  $V_{IH}$  and Write Enable,  $W$ , must be Low,  $V_{IL}$ . The Data Inputs/Outputs are latched on the rising edge of Write Enable,  $W$ . See [Figure 15., A/A Mux Interface Write AC Waveforms](#), and [Table 23., A/A Mux Interface Write AC Characteristics](#), for details of the timing requirements.

**Output Disable.** The data outputs are high-impedance when the Output Enable,  $G$ , is at  $V_{IH}$ .

**Reset.** During Reset mode all internal circuits are switched off, the memory is deselected and the outputs are put in high-impedance. The memory is in Reset mode when  $RP$  is Low,  $V_{IL}$ .  $RP$  must be held Low,  $V_{IL}$  for  $t_{PLPH}$ . If  $RP$  goes Low,  $V_{IL}$ , during a Program or Erase operation, the operation is aborted and the memory cells affected no longer contain valid data; the memory can take up to  $t_{PLRH}$  to abort a Program or Erase operation.

**Table 4. FWH Bus Read Field Definitions**

Clock Cycle Number	Clock Cycle Count	Field	FWH0-FWH3	Memory I/O	Description
1	1	START	1101b	I	On the rising edge of CLK with FWH4 Low, the contents of FWH0-FWH3 indicate the start of a FWH Read cycle.
2	1	IDSEL	XXXX	I	Indicates which FWH Flash Memory is selected. The value on FWH0-FWH3 is compared to the IDSEL strapping on the FWH Flash Memory pins to select which FWH Flash Memory is being addressed.
3-9	7	ADDR	XXXX	I	A 28-bit address phase is transferred starting with the most significant nibble first.
10	1	MSIZE	0000b	I	Always 0000b (only single byte transfers are supported).
11	1	TAR	1111b	I	The host drives FWH0-FWH3 to 1111b to indicate a turnaround cycle.
12	1	TAR	1111b (float)	O	The FWH Flash Memory takes control of FWH0-FWH3 during this cycle.
13-14	2	WSYNC	0101b	O	The FWH Flash Memory drives FWH0-FWH3 to 0101b (short wait-sync) for two clock cycles, indicating that the data is not yet available. Two wait-states are always included.
15	1	RSYNC	0000b	O	The FWH Flash Memory drives FWH0-FWH3 to 0000b, indicating that data will be available during the next clock cycle.
16-17	2	DATA	XXXX	O	Data transfer is two CLK cycles, starting with the least significant nibble.
18	1	TAR	1111b	O	The FWH Flash Memory drives FWH0-FWH3 to 1111b to indicate a turnaround cycle.
19	1	TAR	1111b (float)	N/A	The FWH Flash Memory floats its outputs, the host takes control of FWH0-FWH3.

Figure 7. FWH Bus Read Waveforms

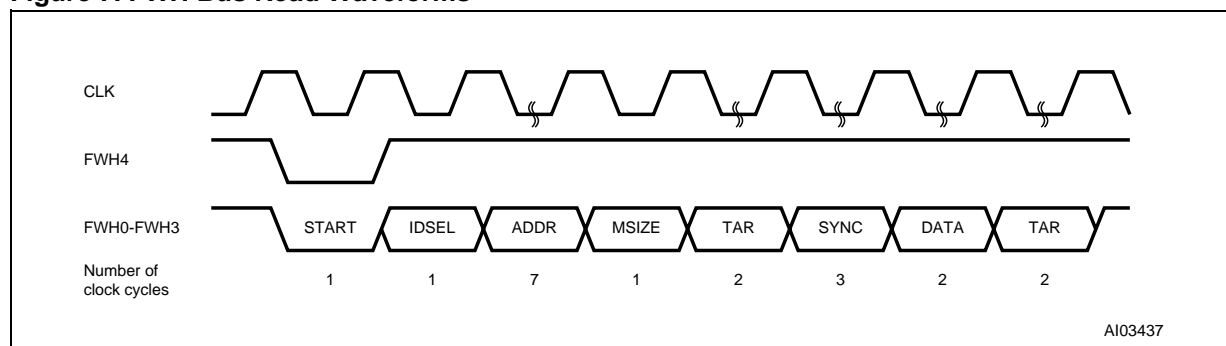
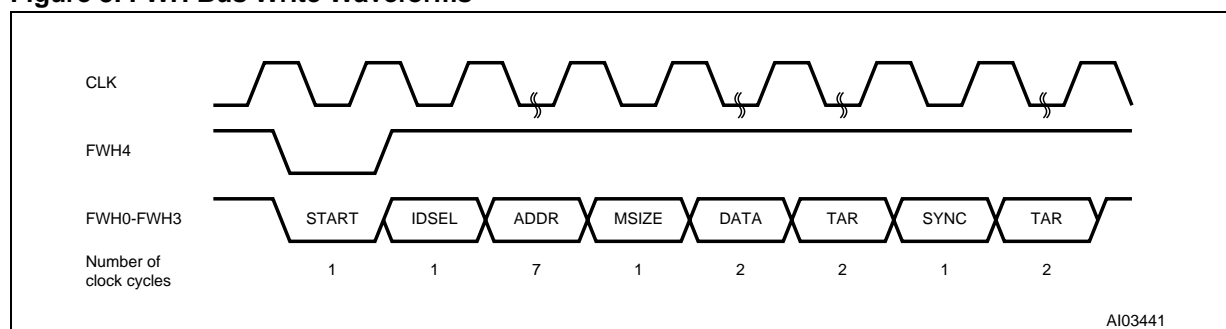


Table 5. FWH Bus Write Field Definitions

Clock Cycle Number	Clock Cycle Count	Field	FWH0-FWH3	Memory I/O	Description
1	1	START	1110b	I	On the rising edge of CLK with FWH4 Low, the contents of FWH0-FWH3 indicate the start of a FWH Write Cycle.
2	1	IDSEL	XXXX	I	Indicates which FWH Flash Memory is selected. The value on FWH0-FWH3 is compared to the IDSEL strapping on the FWH Flash Memory pins to select which FWH Flash Memory is being addressed.
3-9	7	ADDR	XXXX	I	A 28-bit address phase is transferred starting with the most significant nibble first.
10	1	MSIZE	0000b	I	Always 0000b (single byte transfer).
11-12	2	DATA	XXXX	I	Data transfer is two cycles, starting with the least significant nibble.
13	1	TAR	1111b	I	The host drives FWH0-FWH3 to 1111b to indicate a turnaround cycle.
14	1	TAR	1111b (float)	O	The FWH Flash Memory takes control of FWH0-FWH3 during this cycle.
15	1	SYNC	0000b	O	The FWH Flash Memory drives FWH0-FWH3 to 0000b, indicating it has received data or a command.
16	1	TAR	1111b	O	The FWH Flash Memory drives FWH0-FWH3 to 1111b, indicating a turnaround cycle.
17	1	TAR	1111b (float)	N/A	The FWH Flash Memory floats its outputs and the host takes control of FWH0-FWH3.

Figure 8. FWH Bus Write Waveforms





## COMMAND INTERFACE

All Bus Write operations to the memory are interpreted by the Command Interface. Commands consist of one or more sequential Bus Write operations.

After power-up or a Reset operation the memory enters Read mode.

The commands are summarized in [Table 7., Commands](#). Refer to [Table 7.](#) in conjunction with the text descriptions below.

**Read Memory Array Command.** The Read Memory Array command returns the memory to its Read mode where it behaves like a ROM or EPROM. One Bus Write cycle is required to issue the Read Memory Array command and return the memory to Read mode. Once the command is issued the memory remains in Read mode until another command is issued. From Read mode Bus Read operations will access the memory array.

While the Program/Erase Controller is executing a Program or Erase operation the memory will not accept the Read Memory Array command until the operation completes.

**Read Status Register Command.** The Read Status Register command is used to read the Status Register. One Bus Write cycle is required to issue the Read Status Register command. Once the command is issued subsequent Bus Read operations read the Status Register until another command is issued. See the section on the Status Register for details on the definitions of the Status Register bits.

**Read Electronic Signature Command.** The Read Electronic Signature command is used to read the Manufacturer Code and the Device Code. One Bus Write cycle is required to issue the Read Electronic Signature command. Once the command is issued subsequent Bus Read operations read the Manufacturer Code or the Device Code until another command is issued.

After the Read Electronic Signature Command is issued the Manufacturer Code and Device Code can be read using Bus Read operations using the addresses in [Table 6](#).

**Program Command.** The Program command can be used to program a value to one address in the memory array at a time. Two Bus Write operations are required to issue the command; the second Bus Write cycle latches the address and data in the internal state machine and starts the Program/Erase Controller. Once the command is issued subsequent Bus Read operations read the Status Register. See the section on the Status Register for details on the definitions of the Status Register bits.

If the address falls in a protected block then the Program operation will abort, the data in the memory array will not be changed and the Status Register will output the error.

During the Program operation the memory will only accept the Read Status Register command and the Program/Erase Suspend command. All other commands will be ignored. Typical Program times are given in [Table 12](#).

Note that the Program command cannot change a bit set at '0' back to '1' and attempting to do so will not cause any modification on its value. The Erase command must be used to set all of the bits in the block to '1'.

See [Figure 19., Program Flowchart and Pseudo Code](#), for a suggested flowchart on using the Program command.

**Erase Command.** The Erase command can be used to erase a block. Two Bus Write operations are required to issue the command; the second Bus Write cycle latches the block address in the internal state machine and starts the Program/Erase Controller. Once the command is issued subsequent Bus Read operations read the Status Register. See the section on the Status Register for details on the definitions of the Status Register bits.

If the block is protected then the Erase operation will abort, the data in the block will not be changed and the Status Register will output the error.

During the Erase operation the memory will only accept the Read Status Register command and the Program/Erase Suspend command. All other commands will be ignored. Typical Erase times are given in [Table 12](#).

The Erase command sets all of the bits in the block to '1'. All previous data in the block is lost.

See [Figure 21., Erase Flowchart and Pseudo Code](#), for a suggested flowchart on using the Erase command.

**Clear Status Register Command.** The Clear Status Register command can be used to reset bits 1, 3, 4 and 5 in the Status Register to '0'. One Bus Write is required to issue the Clear Status Register command. Once the command is issued the memory returns to its previous mode, subsequent Bus Read operations continue to output the same data.

The bits in the Status Register are sticky and do not automatically return to '0' when a new Program or Erase command is issued. If an error occurs then it is essential to clear any error bits in the Status Register by issuing the Clear Status Register command before attempting a new Program or Erase command.

**Program/Erase Suspend Command.** The Program/Erase Suspend command can be used to pause a Program or Erase operation. One Bus Write cycle is required to issue the Program/Erase Suspend command and pause the Program/Erase Controller. Once the command is issued it is necessary to poll the Program/Erase Controller Status bit to find out when the Program/Erase Controller has paused; no other commands will be accepted until the Program/Erase Controller has paused. After the Program/Erase Controller has paused, the memory will continue to output the Status Register until another command is issued.

During the polling period between issuing the Program/Erase Suspend command and the Program/Erase Controller pausing it is possible for the operation to complete. Once Program/Erase Controller Status bit indicates that the Program/Erase Controller is no longer active, the Program Suspend Status bit or the Erase Suspend Status bit can be used to determine if the operation has completed or is suspended. For timing on the delay between issuing the Program/Erase Suspend command and the Program/Erase Controller pausing see [Table 12](#).

During Program/Erase Suspend the Read Memory Array, Read Status Register, Read Electronic

Signature and Program/Erase Resume commands will be accepted by the Command Interface. Additionally, if the suspended operation was Erase then the Program command will also be accepted; only the blocks not being erased may be read or programmed correctly.

See [Figure 20., Program Suspend & Resume Flowchart and Pseudo Code](#), and [Figure 22., Erase Suspend & Resume Flowchart and Pseudo Code](#), for suggested flowcharts on using the Program/Erase Suspend command.

**Program/Erase Resume Command.** The Program/Erase Resume command can be used to restart the Program/Erase Controller after a Program/Erase Suspend operation has paused it. One Bus Write cycle is required to issue the Program/Erase Resume command. Once the command is issued subsequent Bus Read operations read the Status Register.

**Table 6. Read Electronic Signature**

Code	Address	Data
Manufacturer Code	00000h	20h
Device Code	00001h	2Ch

Table 7. Commands

Command	Cycles	Bus Write Operations			
		1st		2nd	
		Address	Data	Address	Data
Read Memory Array	1	X	FFh		
Read Status Register	1	X	70h		
Read Electronic Signature	1	X	90h		
	1	X	98h		
Program	2	X	40h	PA	PD
	2	X	10h	PA	PD
Erase	2	X	20h	BA	D0h
Clear Status Register	1	X	50h		
Program/Erase Suspend	1	X	B0h		
Program/Erase Resume	1	X	D0h		
Invalid/Reserved	1	X	00h		
	1	X	01h		
	1	X	60h		
	1	X	2Fh		
	1	X	C0h		

Note: X Don't Care, PA Program Address, PD Program Data, BA Any address in the Block.

**Read Memory Array.** After a Read Memory Array command, read the memory as normal until another command is issued.

**Read Status Register.** After a Read Status Register command, read the Status Register as normal until another command is issued.

**Read Electronic Signature.** After a Read Electronic Signature command, read Manufacturer Code, Device Code until another command is issued.

**Erase, Program.** After these commands read the Status Register until the command completes and another command is issued.

**Clear Status Register.** After the Clear Status Register command bits 1, 3, 4 and 5 in the Status Register are reset to '0'.

**Program/Erase Suspend.** After the Program/Erase Suspend command has been accepted, issue Read Memory Array, Read Status Register, Program (during Erase suspend) and Program/Erase resume commands.

**Program/Erase Resume.** After the Program/Erase Resume command the suspended Program/Erase operation resumes, read the Status Register until the Program/Erase Controller completes and the memory returns to Read Mode.

**Invalid/Reserved.** Do not use Invalid or Reserved commands.



## STATUS REGISTER

The Status Register provides information on the current or previous Program or Erase operation. Different bits in the Status Register convey different information and errors on the operation.

To read the Status Register the Read Status Register command can be issued. The Status Register is automatically read after Program, Erase and Program/Erase Resume commands are issued. The Status Register can be read from any address.

The Status Register bits are summarized in [Status Register Bits](#). Refer to [Table 8](#) in conjunction with the text descriptions below.

**Program/Erase Controller Status (Bit 7).** The Program/Erase Controller Status bit indicates whether the Program/Erase Controller is active or inactive. When the Program/Erase Controller Status bit is '0', the Program/Erase Controller is active; when the bit is '1', the Program/Erase Controller is inactive.

The Program/Erase Controller Status is '0' immediately after a Program/Erase Suspend command is issued until the Program/Erase Controller pauses. After the Program/Erase Controller pauses the bit is '1'.

During Program and Erase operation the Program/Erase Controller Status bit can be polled to find the end of the operation. The other bits in the Status Register should not be tested until the Program/Erase Controller completes the operation and the bit is '1'.

After the Program/Erase Controller completes its operation the Erase Status, Program Status,  $V_{PP}$  Status and Block Protection Status bits should be tested for errors.

**Erase Suspend Status (Bit 6).** The Erase Suspend Status bit indicates that an Erase operation has been suspended and is waiting to be resumed. The Erase Suspend Status should only be considered valid when the Program/Erase Controller Status bit is '1' (Program/Erase Controller inactive); after a Program/Erase Suspend command is issued the memory may still complete the operation rather than entering the Suspend mode. When the Erase Suspend Status bit is '0' the Program/Erase Controller is active or has completed its operation; when the bit is '1' a Program/Erase Suspend command has been issued and the memory is waiting for a Program/Erase Resume command.

When a Program/Erase Resume command is issued the Erase Suspend Status bit returns to '0'.

**Erase Status (Bit 5).** The Erase Status bit can be used to identify if the memory has applied the maximum number of erase pulses to the block and

still failed to verify that the block has erased correctly. The Erase Status bit should be read once the Program/Erase Controller Status bit is '1' (Program/Erase Controller inactive).

When the Erase Status bit is '0' the memory has successfully verified that the block has erased correctly; when the Erase Status bit is '1' the Program/Erase Controller has applied the maximum number of pulses to the block and still failed to verify that the block has erased correctly.

Once the Erase Status bit is set to '1' it can only be reset to '0' by a Clear Status Register command or a hardware reset. If it is set to '1' it should be reset before a new Program or Erase command is issued, otherwise the new command will appear to fail.

**Program Status (Bit 4).** The Program Status bit can be used to identify if the memory has applied the maximum number of program pulses to the byte and still failed to verify that the byte has programmed correctly. The Program Status bit should be read once the Program/Erase Controller Status bit is '1' (Program/Erase Controller inactive).

When the Program Status bit is '0' the memory has successfully verified that the byte has programmed correctly; when the Program Status bit is '1' the Program/Erase Controller has applied the maximum number of pulses to the byte and still failed to verify that the byte has programmed correctly.

Once the Program Status bit is set to '1' it can only be reset to '0' by a Clear Status Register command or a hardware reset. If it is set to '1' it should be reset before a new Program or Erase command is issued, otherwise the new command will appear to fail.

**$V_{PP}$  Status (Bit 3).** The  $V_{PP}$  Status bit can be used to identify an invalid voltage on the  $V_{PP}$  pin during Program and Erase operations. The  $V_{PP}$  pin is only sampled at the beginning of a Program or Erase operation. Indeterminate results can occur if  $V_{PP}$  becomes invalid during a Program or Erase operation.

When the  $V_{PP}$  Status bit is '0' the voltage on the  $V_{PP}$  pin was sampled at a valid voltage; when the  $V_{PP}$  Status bit is '1' the  $V_{PP}$  pin has a voltage that is below the  $V_{PP}$  Lockout Voltage,  $V_{PP,LK}$ , the memory is protected; Program and Erase operation cannot be performed.

Once the  $V_{PP}$  Status bit set to '1' it can only be reset to '0' by a Clear Status Register command or a hardware reset. If it is set to '1' it should be reset before a new Program or Erase command is issued, otherwise the new command will appear to fail.

**Program Suspend Status (Bit 2).** The Program Suspend Status bit indicates that a Program operation has been suspended and is waiting to be resumed. The Program Suspend Status should only be considered valid when the Program/Erase Controller Status bit is '1' (Program/Erase Controller inactive); after a Program/Erase Suspend command is issued the memory may still complete the operation rather than entering the Suspend mode. When the Program Suspend Status bit is '0' the Program/Erase Controller is active or has completed its operation; when the bit is '1' a Program/Erase Suspend command has been issued and the memory is waiting for a Program/Erase Resume command.

When a Program/Erase Resume command is issued the Program Suspend Status bit returns to '0'.

**Block Protection Status (Bit 1).** The Block Protection Status bit can be used to identify if the Pro-

gram or Erase operation has tried to modify the contents of a protected block. When the Block Protection Status bit is to '0' no Program or Erase operations have been attempted to protected blocks since the last Clear Status Register command or hardware reset; when the Block Protection Status bit is '1' a Program or Erase operation has been attempted on a protected block.

Once it is set to '1' the Block Protection Status bit can only be reset to '0' by a Clear Status Register command or a hardware reset. If it is set to '1' it should be reset before a new Program or Erase command is issued, otherwise the new command will appear to fail.

Using the A/A Mux Interface the Block Protection Status bit is always '0'.

**Reserved (Bit 0).** Bit 0 of the Status Register is reserved. Its value should be masked.

**Table 8. Status Register Bits**

Operation	Bit 7	Bit 6	Bit 5	Bit 4	Bit 3	Bit 2	Bit 1
Program active	'0'	X(1)	'0'	'0'	'0'	'0'	'0'
Program suspended	'1'	X(1)	'0'	'0'	'0'	'1'	'0'
Program completed successfully	'1'	X(1)	'0'	'0'	'0'	'0'	'0'
Program failure due to V <sub>PP</sub> Error	'1'	X(1)	'0'	'0'	'1'	'0'	'0'
Program failure due to Block Protection (FWH Interface only)	'1'	X(1)	'0'	'0'	'0'	'0'	'1'
Program failure due to cell failure	'1'	X(1)	'0'	'1'	'0'	'0'	'0'
Erase active	'0'	'0'	'0'	'0'	'0'	'0'	'0'
Erase suspended	'1'	'1'	'0'	'0'	'0'	'0'	'0'
Erase completed successfully	'1'	'0'	'0'	'0'	'0'	'0'	'0'
Erase failure due to V <sub>PP</sub> Error	'1'	'0'	'0'	'0'	'1'	'0'	'0'
Erase failure due to Block Protection (FWH Interface only)	'1'	'0'	'0'	'0'	'0'	'0'	'1'
Erase failure due to failed cell(s) in block	'1'	'0'	'1'	'0'	'0'	'0'	'0'

Note: 1. For Program operations during Erase Suspend Bit 6 is '1', otherwise Bit 6 is '0'.

## FIRMWARE HUB (FWH) INTERFACE CONFIGURATION REGISTERS

When the Firmware Hub Interface is selected several additional registers can be accessed. These registers control the protection status of the Blocks, read the General Purpose Input pins and identify the memory using the Electronic Signature codes. See [Table 9](#). for the memory map of the Configuration Registers.

### Lock Registers

The Lock Registers control the protection status of the Blocks. Each Block has its own Lock Register. Three bits within each Lock Register control the protection of each block, the Write Lock Bit, the Read Lock Bit and the Lock Down Bit.

The Lock Registers can be read and written, though care should be taken when writing as, once the Lock Down Bit is set, '1', further modifications to the Lock Register cannot be made until cleared, to '0', by a reset or power-up.

See [Table 10](#). for details on the bit definitions of the Lock Registers.

**Write Lock.** The Write Lock Bit determines whether the contents of the Block can be modified (using the Program or Erase Command). When the Write Lock Bit is set, '1', the block is write protected; any operations that attempt to change the data in the block will fail and the Status Register will report the error. When the Write Lock Bit is reset, '0', the block is not write protected through the Lock Register and may be modified unless write protected through some other means.

When  $V_{PP}$  is less than  $V_{PPLK}$  all blocks are protected and cannot be modified, regardless of the state of the Write Lock Bit. If Top Block Lock, TBL, is Low,  $V_{IL}$ , then the Top Block (Block 7) is write protected and cannot be modified. Similarly, if Write Protect, WP, is Low,  $V_{IL}$ , then the Main Blocks (Blocks 0 to 6) are write protected and cannot be modified.

After power-up or reset the Write Lock Bit is always set to '1' (write protected).

**Read Lock.** The Read Lock bit determines whether the contents of the Block can be read (from Read mode). When the Read Lock Bit is set, '1', the block is read protected; any operation that attempts to read the contents of the block will read 00h instead. When the Read Lock Bit is reset, '0', read operations in the Block return the data programmed into the block as expected.

After power-up or reset the Read Lock Bit is always reset to '0' (not read protected).

**Lock Down.** The Lock Down Bit provides a mechanism for protecting software data from sim-

ple hacking and malicious attack. When the Lock Down Bit is set, '1', further modification to the Write Lock, Read Lock and Lock Down Bits cannot be performed. A reset or power-up is required before changes to these bits can be made. When the Lock Down Bit is reset, '0', the Write Lock, Read Lock and Lock Down Bits can be changed.

### Firmware Hub (FWH) General Purpose Input Register

The Firmware Hub (FWH) General Purpose Input Register holds the state of the Firmware Hub Interface General Purpose Input pins, FGPI0-FGPI4. When this register is read, the state of these pins is returned. This register is read-only and writing to it has no effect.

The signals on the Firmware Hub Interface General Purpose Input pins should remain constant throughout the whole Bus Read cycle in order to guarantee that the correct data is read.

### Manufacturer Code Register

Reading the Manufacturer Code Register returns the manufacturer code for the memory. The manufacturer code for STMicroelectronics is 20h. This register is read-only and writing to it has no effect.

### Device Code Register

Reading the Device Code Register returns the device code for the memory, 2Ch. This register is read-only and writing to it has no effect.

### Firmware Hub (FWH) General Purpose Input Register

The Firmware Hub (FWH) General Purpose Input Register holds the state of the Firmware Hub Interface General Purpose Input pins, FGPI0-FGPI4. When this register is read, the state of these pins is returned. This register is read-only and writing to it has no effect.

The signals on the Firmware Hub Interface General Purpose Input pins should remain constant throughout the whole Bus Read cycle in order to guarantee that the correct data is read.

### Manufacturer Code Register

Reading the Manufacturer Code Register returns the manufacturer code for the memory. The manufacturer code for STMicroelectronics is 20h. This register is read-only and writing to it has no effect.

### Device Code Register

Reading the Device Code Register returns the device code for the memory, 2Ch. This register is read-only and writing to it has no effect.

**Table 9. Firmware Hub Register Configuration Map**

Mnemonic	Register Name	Memory Address	Default Value	Access
T_BLOCK_LK	Top Block Lock Register (Block 7)	FBF0002h	01h	R/W
T_MINUS01_LK	Top Block [-1] Lock Register (Block 6)	FBE0002h	01h	R/W
T_MINUS02_LK	Top Block [-2] Lock Register (Block 5)	FBD0002h	01h	R/W
T_MINUS03_LK	Top Block [-3] Lock Register (Block 4)	FBC0002h	01h	R/W
T_MINUS04_LK	Top Block [-4] Lock Register (Block 3)	FBB0002h	01h	R/W
T_MINUS05_LK	Top Block [-5] Lock Register (Block 2)	FBA0002h	01h	R/W
T_MINUS06_LK	Top Block [-6] Lock Register (Block 1)	FB90002h	01h	R/W
T_MINUS07_LK	Top Block [-7] Lock Register (Block 0)	FB80002h	01h	R/W
FGPI_REG	Firmware Hub (FWH) General Purpose Input Register	FBC0100h	N/A	R
MANUF_REG	Manufacturer Code Register	FBC0000h	20h	R
DEV_REG	Device Code Register	FBC0001h	2Ch	R

**Table 10. Lock Register Bit Definitions**

Bit	Bit Name	Value	Function
7-3			Reserved
2	Read-Lock	'1'	Bus Read operations in this Block always return 00h.
		'0'	Bus read operations in this Block return the Memory Array contents. (Default value).
1	Lock-Down	'1'	Changes to the Read-Lock bit and the Write-Lock bit cannot be performed. Once a '1' is written to the Lock-Down bit it cannot be cleared to '0'; the bit is always reset to '0' following a Reset (using $\overline{RP}$ or $\overline{INIT}$ ) or after power-up.
		'0'	Read-Lock and Write-Lock can be changed by writing new values to them. (Default value).
0	Write-Lock	'1'	Program and Erase operations in this Block will set an error in the Status Register. The memory contents will not be changed. (Default value).
		'0'	Program and Erase operations in this Block are executed and will modify the Block contents.

Note: 1. Applies to Top Block Lock Register (T\_BLOCK\_LK) and Top Block [-1] Lock Register (T\_MINUS01\_LK) to Top Block [-7] Lock Register (T\_MINUS07\_LK).

**Table 11. General Purpose Inputs Register Definition**

Bit	Bit Name	Value	Function
7-5			Reserved
4	FGPI4	'1'	Input Pin FGPI4 is at $V_{IH}$
		'0'	Input Pin FGPI4 is at $V_{IL}$
3	FGPI3	'1'	Input Pin FGPI3 is at $V_{IH}$
		'0'	Input Pin FGPI3 is at $V_{IL}$
2	FGPI2	'1'	Input Pin FGPI2 is at $V_{IH}$
		'0'	Input Pin FGPI2 is at $V_{IL}$
1	FGPI1	'1'	Input Pin FGPI1 is at $V_{IH}$
		'0'	Input Pin FGPI1 is at $V_{IL}$
0	FGPI0	'1'	Input Pin FGPI0 is at $V_{IH}$
		'0'	Input Pin FGPI0 is at $V_{IL}$

Note: 1. Applies to the General Purpose Inputs Register (FGPI-REG).

## PROGRAM AND ERASE TIMES

The Program and Erase times are shown in [Table 12](#).

**Table 12. Program and Erase Times**

Parameter	Test Condition	Min	Typ <sup>(1)</sup>	Max	Unit
Byte Program			10	200	μs
Block Program			0.4	5	sec
Block Erase	$V_{PP} = 12V \pm 5\%$		0.75	8	sec
	$V_{PP} = V_{CC}$		1	10	sec
Program/Erase Suspend to Program pause <sup>(2)</sup>				5	μs
Program/Erase Suspend to Block Erase pause <sup>(2)</sup>				30	μs

Note: 1.  $T_A = 25^\circ\text{C}$ ,  $V_{CC} = 3.3\text{V}$

2. Sampled only, not 100% tested.

**MAXIMUM RATING**

Stressing the device above the rating listed in the Absolute Maximum Ratings table may cause permanent damage to the device. These are stress ratings only and operation of the device at these or any other conditions above those indicated in the Operating sections of this specification is not im-

plied. Exposure to Absolute Maximum Rating conditions for extended periods may affect device reliability. Refer also to the STMicroelectronics SURE Program and other relevant quality documents.

**Table 13. Absolute Maximum Ratings**

Symbol	Parameter	Min	Max	Unit
T <sub>STG</sub>	Storage Temperature	-65	150	°C
T <sub>LEAD</sub>	Lead Temperature during Soldering	See note 1		°C
V <sub>IO</sub> <sup>(2)</sup>	Input or Output Voltage	-0.6	V <sub>CC</sub> + 0.6	V
V <sub>CC</sub>	Supply Voltage	-0.6	4	V
V <sub>PP</sub>	Program Voltage	-0.6	13	V

Note: 1. Compliant with JEDEC Std J-STD-020B (for small body, Sn-Pb or Pb assembly), the ST ECOPACK ® 7191395 specification, and the European directive on Restrictions on Hazardous Substances (RoHS) 2002/95/EU.

2. Minimum Voltage may undershoot to -2V and for less than 20ns during transitions. Maximum Voltage may overshoot to V<sub>CC</sub> + 2V and for less than 20ns during transitions.

## DC AND AC PARAMETERS

This section summarizes the operating measurement conditions, and the DC and AC characteristics of the device. The parameters in the DC and AC characteristics Tables that follow, are derived from tests performed under the Measurement

Conditions summarized in [Table 14.](#), [Table 15.](#) and [Table 16.](#) Designers should check that the operating conditions in their circuit match the operating conditions when relying on the quoted parameters.

**Table 14. Operating Conditions**

Symbol	Parameter	Min	Max	Unit
$T_A$	Ambient Operating Temperature (Device Grade 1)	0	70	°C
	Ambient Operating Temperature (Device Grade 5)	-20	85	°C
$V_{CC}$	Supply Voltage	3	3.6	V

**Table 15. FWH Interface AC Measurement Conditions**

Parameter	Value	Unit
Load Capacitance ( $C_L$ )	10	pF
Input Rise and Fall Times	$\leq 1.4$	ns
Input Pulse Voltages	$0.2 V_{CC}$ and $0.6 V_{CC}$	V
Input and Output Timing Ref. Voltages	$0.4 V_{CC}$	V

**Table 16. A/A Mux Interface AC Measurement Conditions**

Parameter	Value	Unit
Load Capacitance ( $C_L$ )	30	pF
Input Rise and Fall Times	$\leq 10$	ns
Input Pulse Voltages	0 to 3	V
Input and Output Timing Ref. Voltages	1.5	V

**Figure 9. FWH Interface AC Testing Input Output Waveforms**

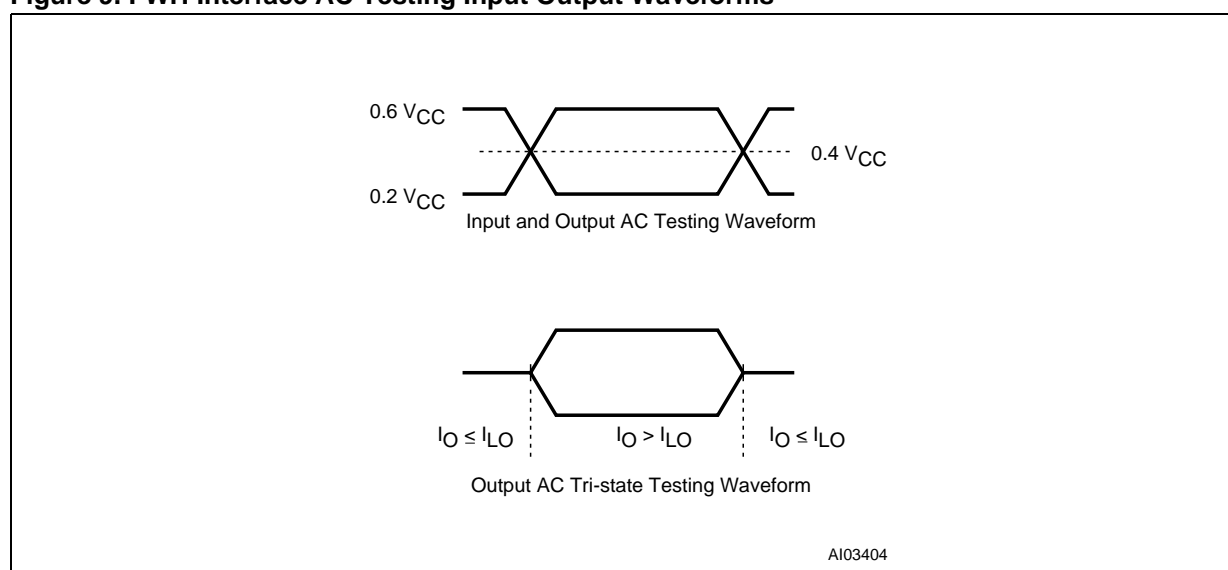


Figure 10. A/A Mux Interface AC Testing Input Output Waveform

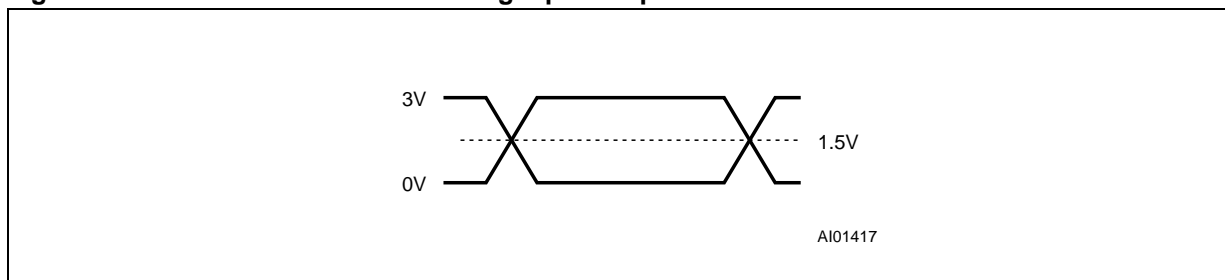


Table 17. Impedance

Symbol	Parameter	Test Condition	Min	Max	Unit
$C_{IN}^{(1)}$	Input Capacitance	$V_{IN} = 0V$		13	pF
$C_{CLK}^{(1)}$	Clock Capacitance	$V_{IN} = 0V$	3	12	pF
$LPIN^{(2)}$	Recommended Pin Inductance			20	nH

Note: 1. Sampled only, not 100% tested.  
 2. See PCI Specification.  
 3.  $T_A = 25\text{ }^\circ\text{C}$ ,  $f = 1\text{ MHz}$ .



Table 18. DC Characteristics

Symbol	Parameter	Interface	Test Condition	Min	Max	Unit
$V_{IH}$	Input High Voltage	FWH		$0.5 V_{CC}$	$V_{CC} + 0.5$	V
		A/A Mux		$0.7 V_{CC}$	$V_{CC} + 0.3$	V
$V_{IL}$	Input Low Voltage	FWH		-0.5	$0.3 V_{CC}$	V
		A/A Mux		-0.5	0.8	V
$V_{IH}(\overline{INIT})$	$\overline{INIT}$ Input High Voltage	FWH		1.35	$V_{CC} + 0.5$	V
$V_{IL}(\overline{INIT})$	$\overline{INIT}$ Input Low Voltage	FWH		-0.5	$0.2 V_{CC}$	V
$I_{LI}^{(2)}$	Input Leakage Current		$0V \leq V_{IN} \leq V_{CC}$		$\pm 10$	$\mu A$
$I_{LI2}$	IC, IDx Input Leakage Current		IC, ID0, ID1, ID2, ID3 = $V_{CC}$		200	$\mu A$
$R_{IL}$	IC, IDx Input Pull Low Resistor			20	100	k $\Omega$
$V_{OH}$	Output High Voltage	FWH	$I_{OH} = -500\mu A$	$0.9 V_{CC}$		V
		A/A Mux	$I_{OH} = -100\mu A$	$V_{CC} - 0.4$		V
$V_{OL}$	Output Low Voltage	FWH	$I_{OL} = 1.5mA$		$0.1 V_{CC}$	V
		A/A Mux	$I_{OL} = 1.8mA$		0.45	V
$I_{LO}$	Output Leakage Current		$0V \leq V_{OUT} \leq V_{CC}$		$\pm 10$	$\mu A$
$V_{PP1}$	$V_{PP}$ Voltage			3	3.6	V
$V_{PPH}$	$V_{PP}$ Voltage (Fast Erase)			11.4	12.6	V
$V_{PPLK}^{(1)}$	$V_{PP}$ Lockout Voltage			1.5		V
$V_{LKO}^{(1)}$	$V_{CC}$ Lockout Voltage			1.8	2.3	V
$I_{CC1}$	Supply Current (Standby)	FWH	FWH4 = $0.9 V_{CC}$ , $V_{PP} = V_{CC}$ All other inputs $0.9 V_{CC}$ to $0.1 V_{CC}$ $V_{CC} = 3.6V$ , $f(CLK) = 33MHz$		100	$\mu A$
$I_{CC2}$	Supply Current (Standby)	FWH	FWH4 = $0.1 V_{CC}$ , $V_{PP} = V_{CC}$ All other inputs $0.9 V_{CC}$ to $0.1 V_{CC}$ $V_{CC} = 3.6V$ , $f(CLK) = 33MHz$		10	mA
$I_{CC3}$	Supply Current (Any internal operation active)	FWH	$V_{CC} = V_{CC} \text{ max}$ , $V_{PP} = V_{CC}$ $f(CLK) = 33MHz$ $I_{OUT} = 0mA$		60	mA
$I_{CC4}$	Supply Current (Read)	A/A Mux	$\overline{G} = V_{IH}$ , $f = 6MHz$		20	mA
$I_{CC5}^{(1)}$	Supply Current (Program/Erase)	A/A Mux	Program/Erase Controller Active		20	mA
$I_{PP}$	$V_{PP}$ Supply Current (Read/Standby)		$V_{PP} \geq V_{CC}$		400	$\mu A$
$I_{PP1}^{(1)}$	$V_{PP}$ Supply Current (Program/Erase active)		$V_{PP} = V_{CC}$		40	mA
			$V_{PP} = 12V \pm 5\%$		15	mA

Note: 1. Sampled only, not 100% tested.

2. Input leakage currents include High-Z output leakage for all bi-directional buffers with tri-state outputs.

Figure 11. FWH Interface Clock Waveform

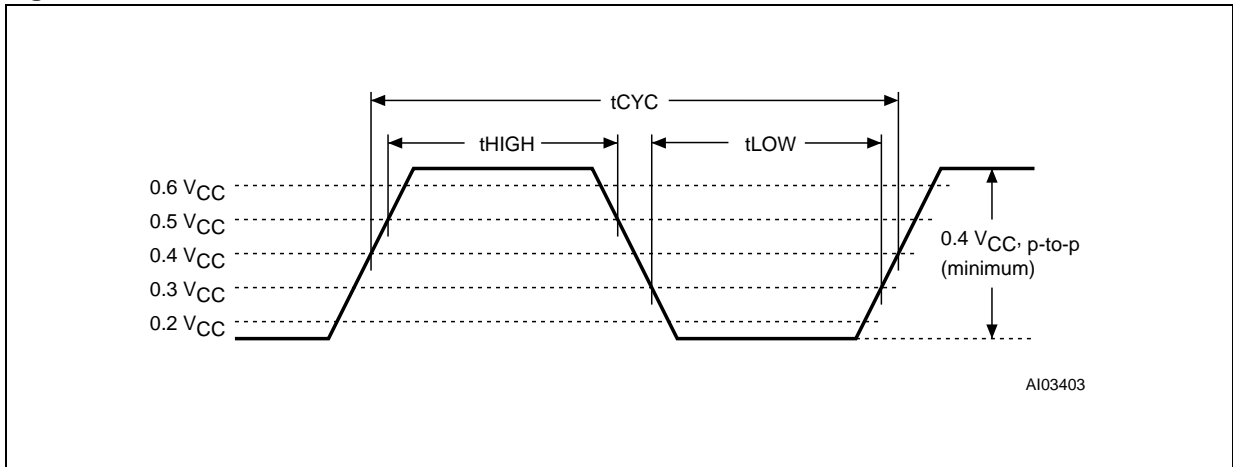


Table 19. FWH Interface Clock Characteristics

Symbol	Parameter	Test Condition		Value	Unit
$t_{CYC}$	CLK Cycle Time <sup>(1)</sup>		Min	30	ns
$t_{HIGH}$	CLK High Time		Min	11	ns
$t_{LOW}$	CLK Low Time		Min	11	ns
	CLK Slew Rate	peak to peak	Min	1	V/ns
			Max	4	V/ns

Note: 1. Devices on the PCI Bus must work with any clock frequency between DC and 33MHz. Below 16MHz devices may be guaranteed by design rather than tested. Refer to PCI Specification.

Figure 12. FWH Interface AC Signal Timing Waveforms

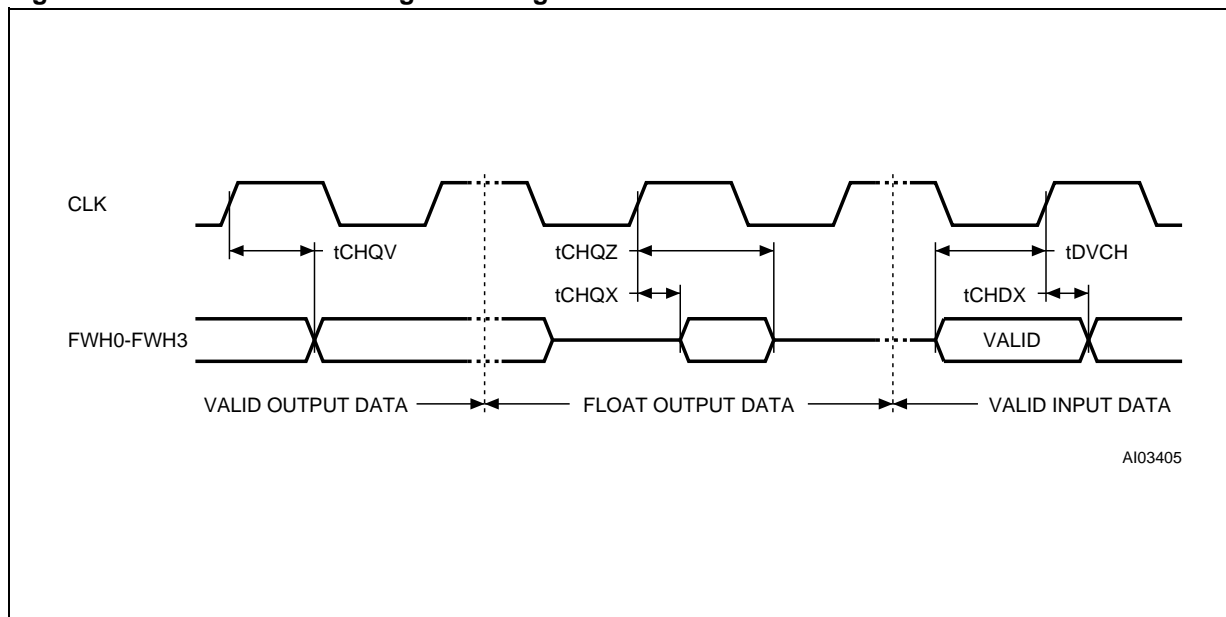


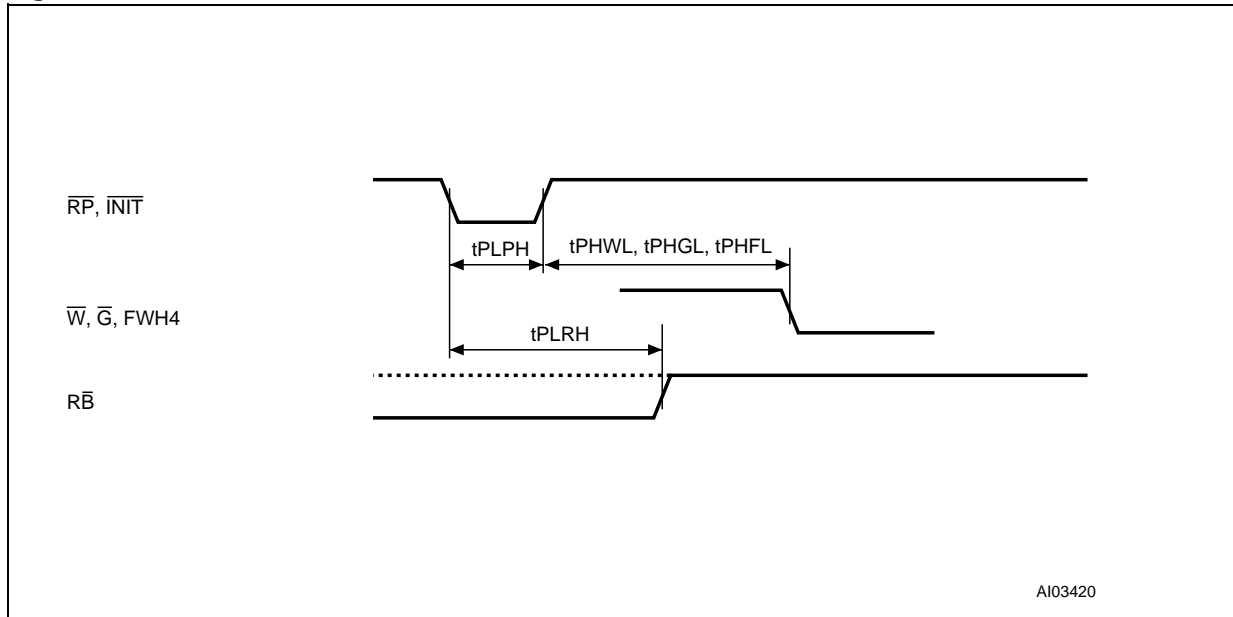
Table 20. FWH Interface AC Signal Timing Characteristics

Symbol	PCI Symbol	Parameter	Test Condition		Value	Unit
$t_{\text{CHQV}}$	$t_{\text{val}}$	CLK to Data Out		Min	2	ns
				Max	11	ns
$t_{\text{CHQX}}^{(1)}$	$t_{\text{on}}$	CLK to Active (Float to Active Delay)		Min	2	ns
$t_{\text{CHQZ}}$	$t_{\text{off}}$	CLK to Inactive (Active to Float Delay)		Max	28	ns
$t_{\text{AVCH}}$ $t_{\text{DVCH}}$	$t_{\text{su}}$	Input Set-up Time <sup>(2)</sup>		Min	7	ns
$t_{\text{CHAX}}$ $t_{\text{CHDX}}$	$t_{\text{h}}$	Input Hold Time <sup>(2)</sup>		Min	0	ns

Note: 1. The timing measurements for Active/Float transitions are defined when the current through the pin equals the leakage current specification.

2. Applies to all inputs except CLK.

Figure 13. Reset AC Waveforms



A103420

Table 21. Reset AC Characteristics

Symbol	Parameter	Test Condition		Value	Unit	
$t_{PLPH}$	$\overline{RP}$ or $\overline{INIT}$ Reset Pulse Width		Min	100	ns	
$t_{PLRH}$	$\overline{RP}$ or $\overline{INIT}$ Low to Reset	Program/Erase Inactive	Max	100	ns	
		Program/Erase Active	Max	30	$\mu$ s	
	$\overline{RP}$ or $\overline{INIT}$ Slew Rate <sup>(1)</sup>	Rising edge only	Min	50	mV/ns	
$t_{PHFL}$	$\overline{RP}$ or $\overline{INIT}$ High to FWH4 Low	FWH Interface only		Min	30	$\mu$ s
$t_{PHWL}$ $t_{PHGL}$	$\overline{RP}$ High to Write Enable or Output Enable Low	A/A Mux Interface only		Min	50	$\mu$ s

Note: 1. See Chapter 4 of the PCI Specification.

Figure 14. A/A Mux Interface Read AC Waveforms

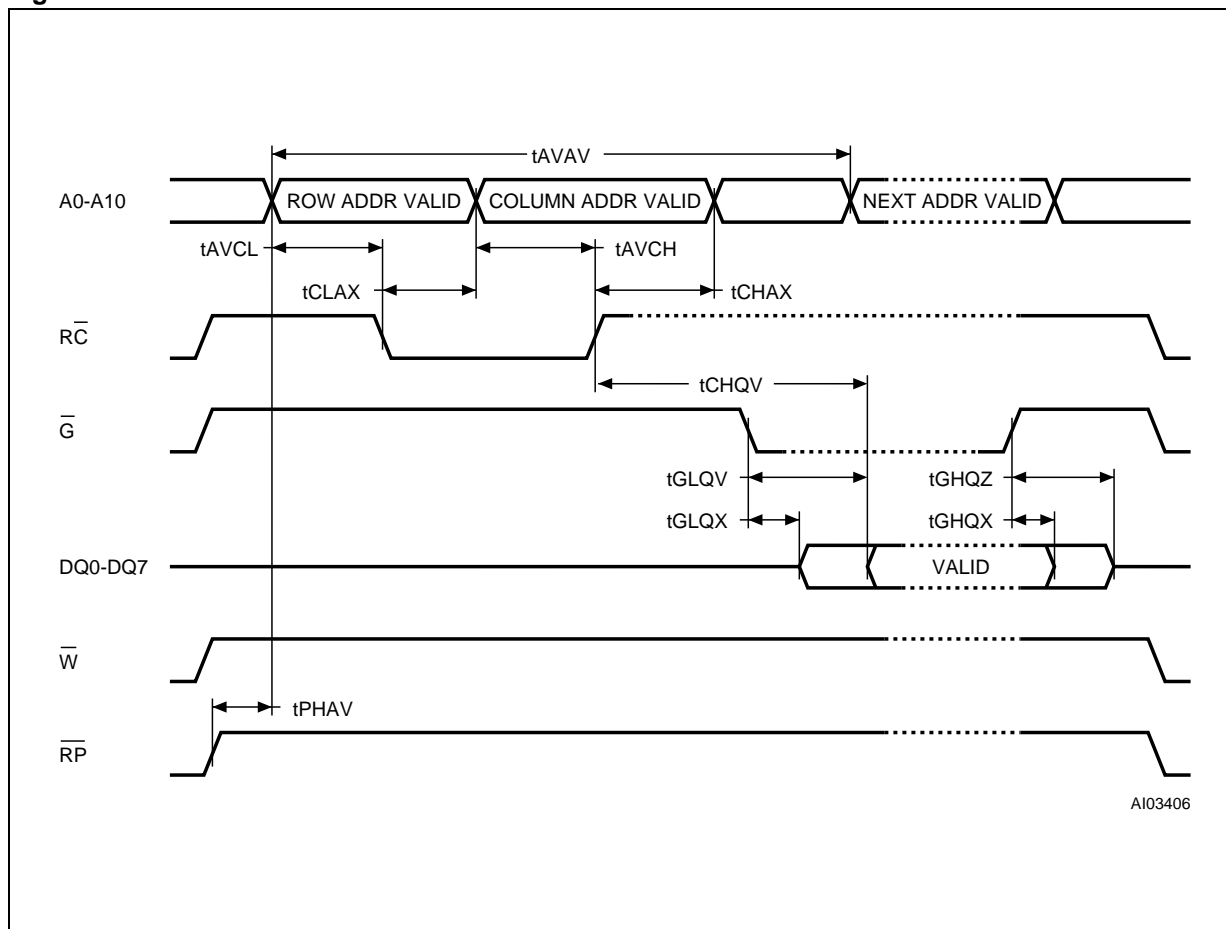
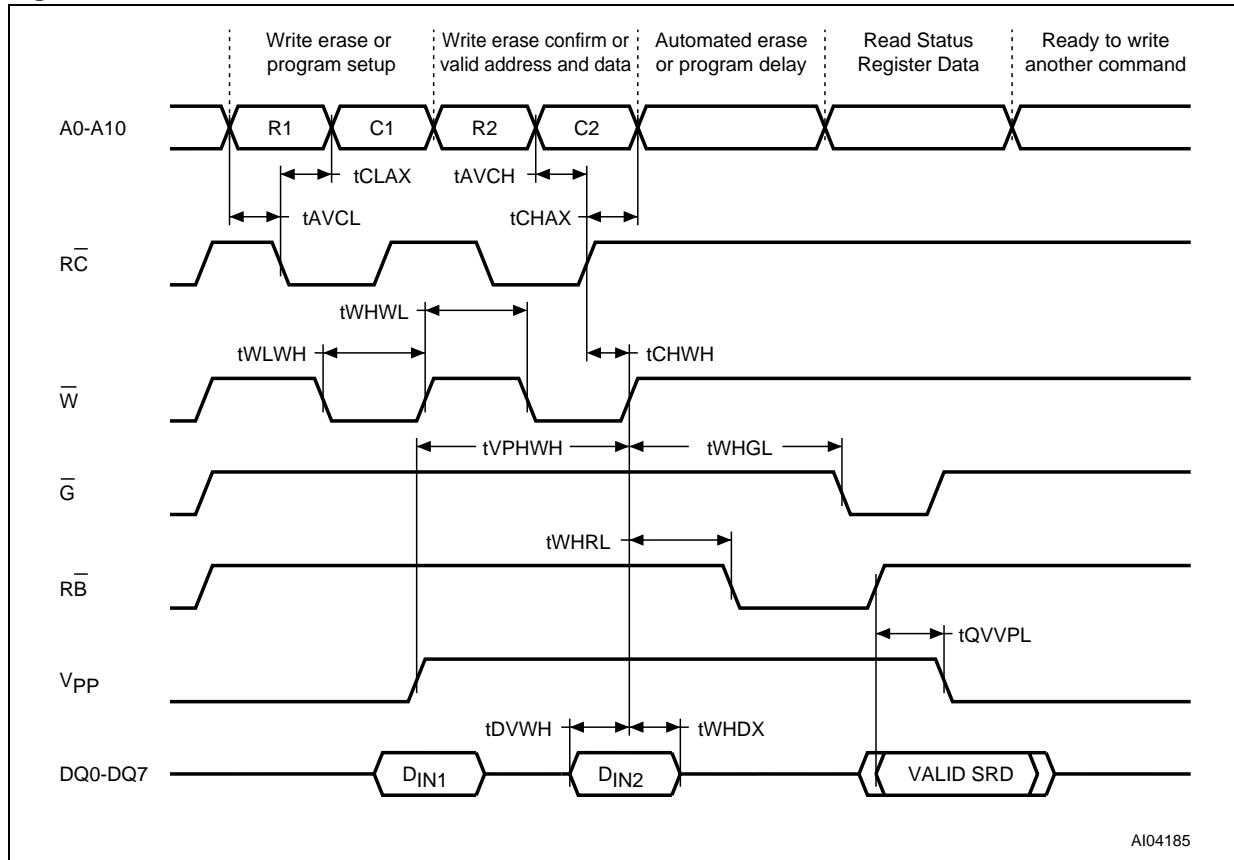


Table 22. A/A Mux Interface Read AC Characteristics

Symbol	Parameter	Test Condition	Value	Unit
$t_{AVAV}$	Read Cycle Time	Min	250	ns
$t_{AVCL}$	Row Address Valid to $\overline{RC}$ Low	Min	50	ns
$t_{CLAX}$	$\overline{RC}$ Low to Row Address Transition	Min	50	ns
$t_{AVCH}$	Column Address Valid to $\overline{RC}$ High	Min	50	ns
$t_{CHAX}$	$\overline{RC}$ High to Column Address Transition	Min	50	ns
$t_{CHQV}^{(1)}$	$\overline{RC}$ High to Output Valid	Max	150	ns
$t_{GLQV}^{(1)}$	Output Enable Low to Output Valid	Max	50	ns
$t_{PHAV}$	$\overline{RP}$ High to Row Address Valid	Min	1	$\mu$ s
$t_{GLQX}$	Output Enable Low to Output Transition	Min	0	ns
$t_{GHQZ}$	Output Enable High to Output Hi-Z	Max	50	ns
$t_{GHQX}$	Output Hold from Output Enable High	Min	0	ns

Note: 1.  $\overline{G}$  may be delayed up to  $t_{CHQV} - t_{GLQV}$  after the rising edge of  $\overline{RC}$  without impact on  $t_{CHQV}$ .

Figure 15. A/A Mux Interface Write AC Waveforms



AI04185

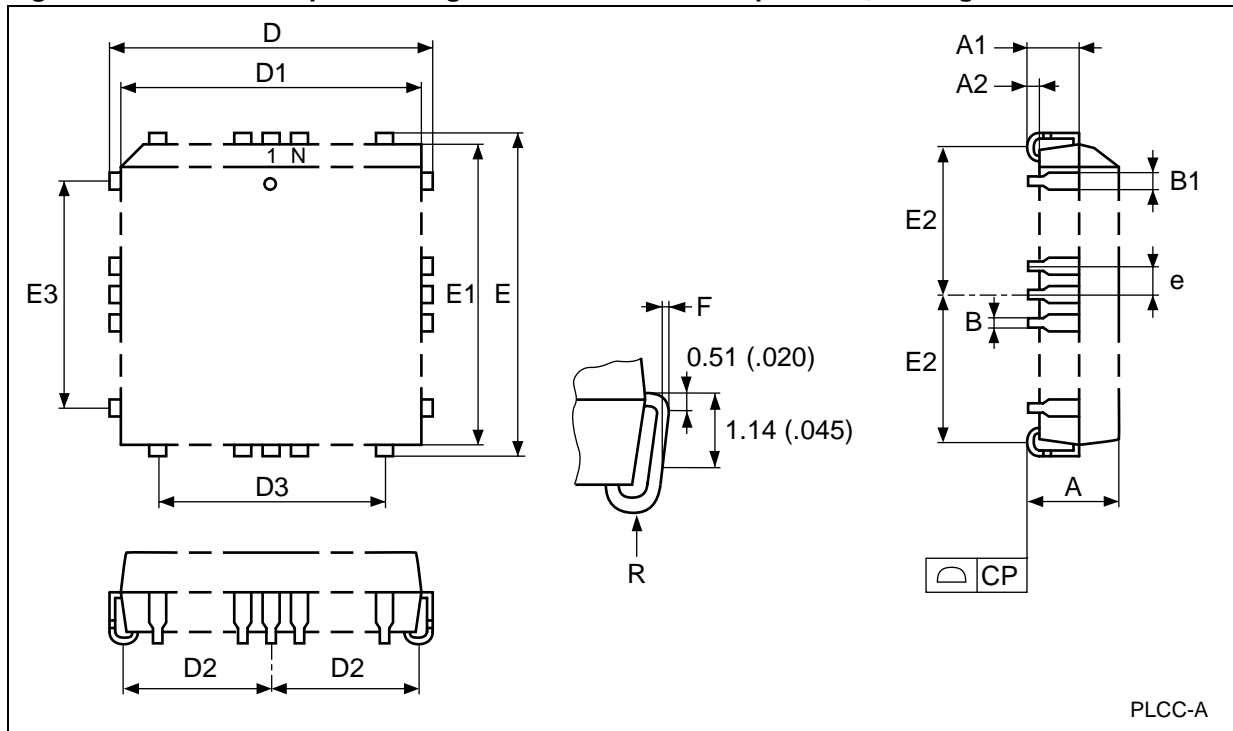
Table 23. A/A Mux Interface Write AC Characteristics

Symbol	Parameter	Test Condition	Value	Unit
tWLWH	Write Enable Low to Write Enable High	Min	100	ns
tDVWH	Data Valid to Write Enable High	Min	50	ns
tWHDX	Write Enable High to Data Transition	Min	5	ns
tAVCL	Row Address Valid to RC-bar Low	Min	50	ns
tCLAX	RC-bar Low to Row Address Transition	Min	50	ns
tAVCH	Column Address Valid to RC-bar High	Min	50	ns
tCHAX	RC-bar High to Column Address Transition	Min	50	ns
tWHWL	Write Enable High to Write Enable Low	Min	100	ns
tCHWH	RC-bar High to Write Enable High	Min	50	ns
tVPHWH <sup>(1)</sup>	VPP High to Write Enable High	Min	100	ns
tWHGL	Write Enable High to Output Enable Low	Min	30	ns
tWHRL	Write Enable High to RB-bar Low	Min	0	ns
tQVVPL <sup>(1,2)</sup>	Output Valid, RB-bar High to VPP Low	Min	0	ns

Note: 1. Sampled only, not 100% tested.  
 2. Applicable if VPP is seen as a logic input (VPP < 3.6V).

## PACKAGE MECHANICAL

Figure 16. PLCC32 – 32 pin Rectangular Plastic Leaded Chip Carrier, Package Outline



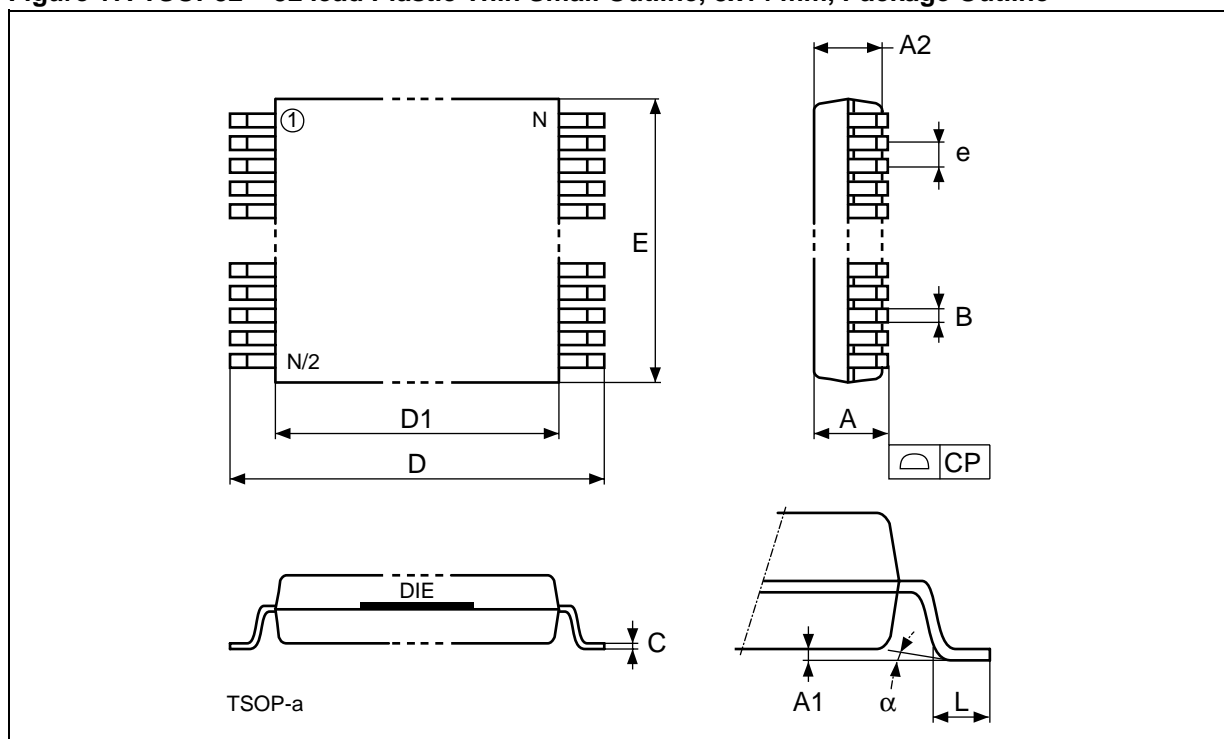
Note: Drawing is not to scale.

Table 24. PLCC32 – 32 pin Rectangular Plastic Leaded Chip Carrier, Package Mechanical Data

Symbol	millimeters			inches		
	Typ	Min	Max	Typ	Min	Max
A		3.18	3.56		0.125	0.140
A1		1.53	2.41		0.060	0.095
A2		0.38	–		0.015	–
B		0.33	0.53		0.013	0.021
B1		0.66	0.81		0.026	0.032
CP			0.10			0.004
D		12.32	12.57		0.485	0.495
D1		11.35	11.51		0.447	0.453
D2		4.78	5.66		0.188	0.223
D3	7.62	–	–	0.300	–	–
E		14.86	15.11		0.585	0.595
E1		13.89	14.05		0.547	0.553
E2		6.05	6.93		0.238	0.273
E3	10.16	–	–	0.400	–	–
e	1.27	–	–	0.050	–	–
F		0.00	0.13		0.000	0.005
R	0.89	–	–	0.035	–	–
N		32			32	



Figure 17. TSOP32 – 32 lead Plastic Thin Small Outline, 8x14 mm, Package Outline

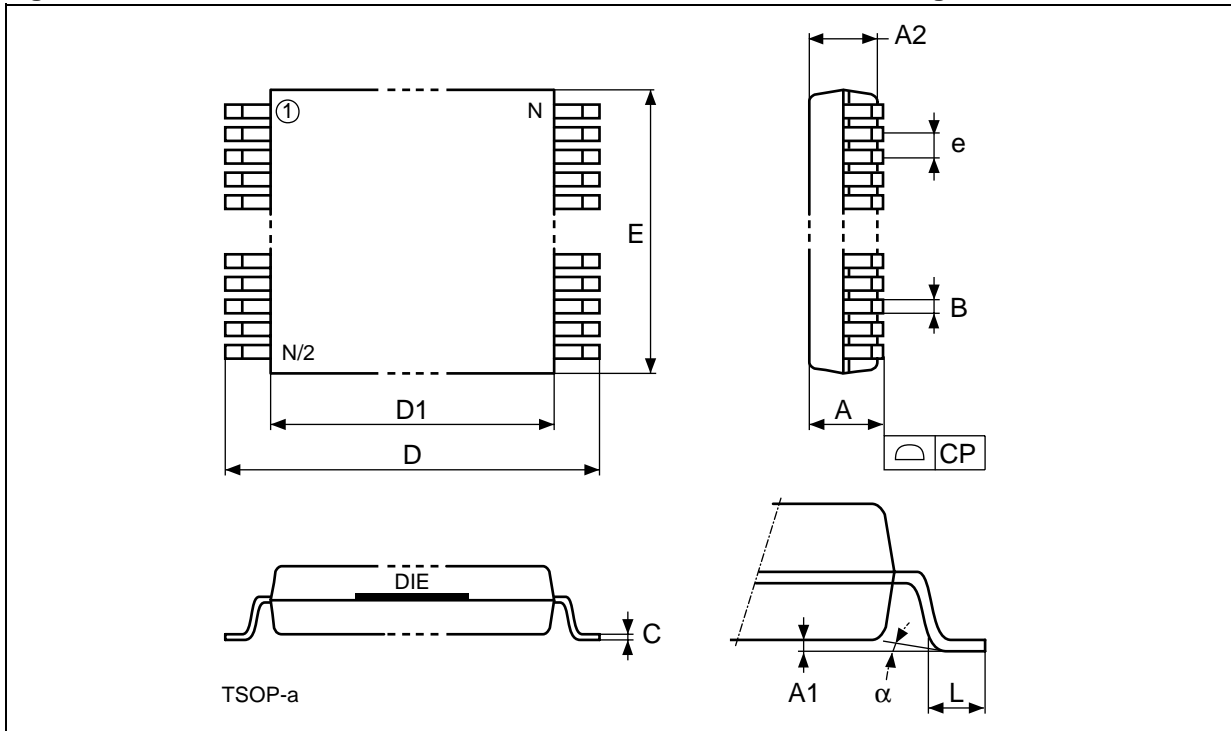


Note: Drawing is not to scale.

Table 25. TSOP32 – 32 lead Plastic Thin Small Outline, 8x14 mm, Package Mechanical Data

Symbol	millimeters			inches		
	Typ	Min	Max	Typ	Min	Max
A			1.200			0.0472
A1		0.050	0.150		0.0020	0.0059
A2		0.950	1.050		0.0374	0.0413
$\alpha$		0°	5°		0°	5°
B		0.170	0.270		0.0067	0.0106
C		0.100	0.210		0.0039	0.0083
CP			0.100			0.0039
D		13.800	14.200		0.5433	0.5591
D1		12.300	12.500		0.4843	0.4921
e	0.500	–	–	0.0197	–	–
E		7.900	8.100		0.3110	0.3189
L		0.500	0.700		0.0197	0.0276
N		32			32	

Figure 18. TSOP40 – 40 lead Plastic Thin Small Outline, 10x20 mm, Package Outline



Note: Drawing is not to scale.

Table 26. TSOP40 – 40 lead Plastic Thin Small Outline, 10x20 mm, Package Mechanical Data

Symbol	millimeters			inches		
	Typ	Min	Max	Typ	Min	Max
A			1.200			0.0472
A1		0.050	0.150		0.0020	0.0059
A2		0.950	1.050		0.0374	0.0413
B		0.170	0.270		0.0067	0.0106
C		0.100	0.210		0.0039	0.0083
CP			0.100			0.0039
D		19.800	20.200		0.7795	0.7953
D1		18.300	18.500		0.7205	0.7283
e	0.500	–	–	0.0197	–	–
E		9.900	10.100		0.3898	0.3976
L		0.500	0.700		0.0197	0.0276
alpha		0°	5°		0°	5°
N		40			40	

## PART NUMBERING

**Table 27. Ordering Information Scheme**

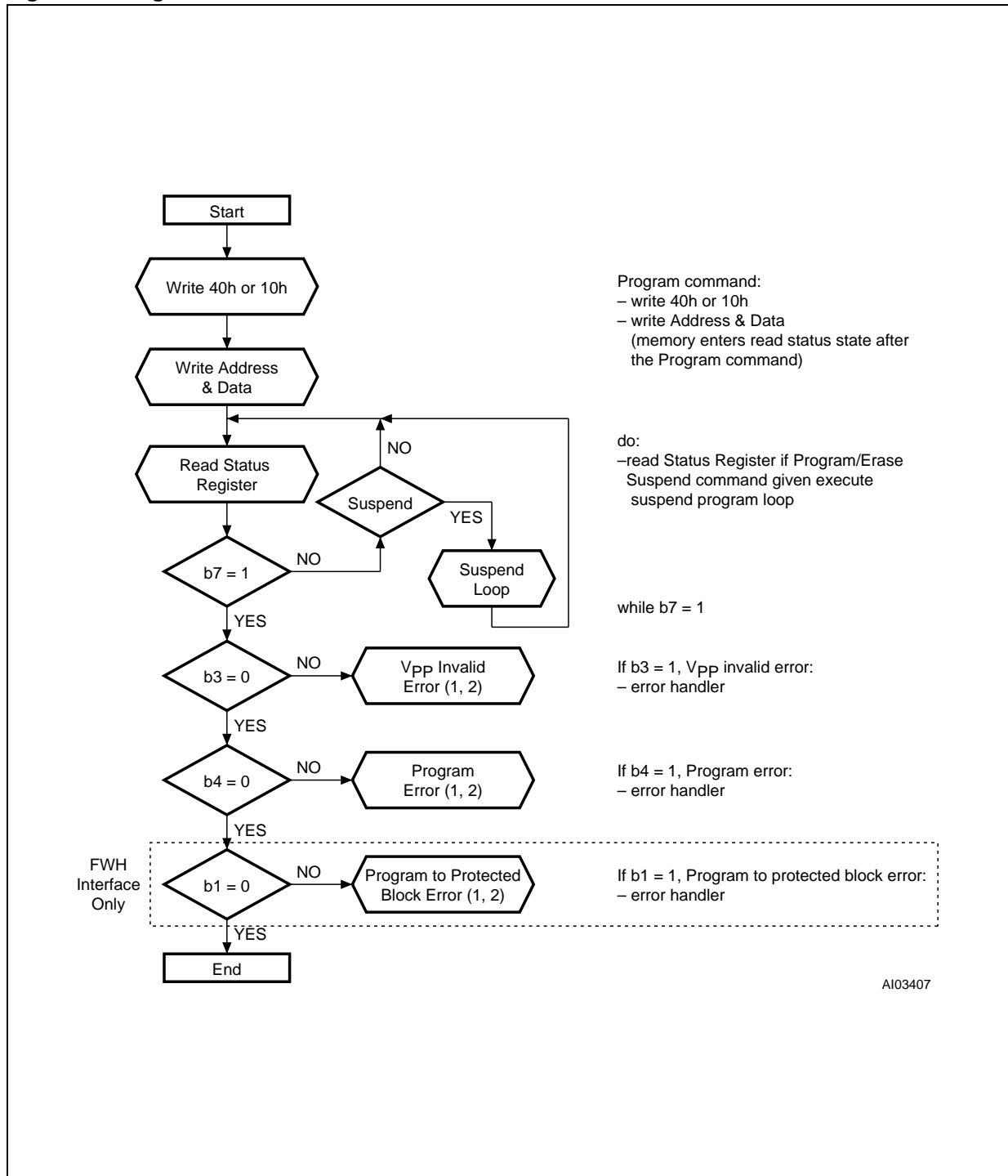
Example:	M50FW040	K	1	T	G
<b>Device Type</b> M50					
<b>Architecture</b> F = Firmware Hub Interface					
<b>Operating Voltage</b> W = 3V to 3.6V					
<b>Device Function</b> 040 = 4 Mbit (x8), Uniform Block					
<b>Package</b> K = PLCC32 NB = TSOP32 (8 x 14mm) N = TSOP40: 10 x 20 mm					
<b>Device Grade</b> 5 = Temperature range -20 to 85 °C. Device tested with standard test flow 1 = Temperature range 0 to 70 °C. Device tested with standard test flow					
<b>Option</b> blank = Standard Packing T = Tape & Reel Packing					
<b>Plating Technology</b> blank = Standard SnPb plating G = Lead-Free, RoHS compliant, Sb2O3-free and TBBA-free					

Devices are shipped from the factory with the memory content bits erased to '1'.

For a list of available options (Speed, Package, etc.) or for further information on any aspect of this device, please contact the ST Sales Office nearest to you.

FLOWCHARTS AND PSEUDO CODES

Figure 19. Program Flowchart and Pseudo Code



Note: 1. A Status check of b1 (Protected Block), b3 (Vpp invalid) and b4 (Program Error) can be made after each Program operation by following the correct command sequence.  
 2. If an error is found, the Status Register must be cleared before further Program/Erase Controller operations.

Figure 20. Program Suspend &amp; Resume Flowchart and Pseudo Code

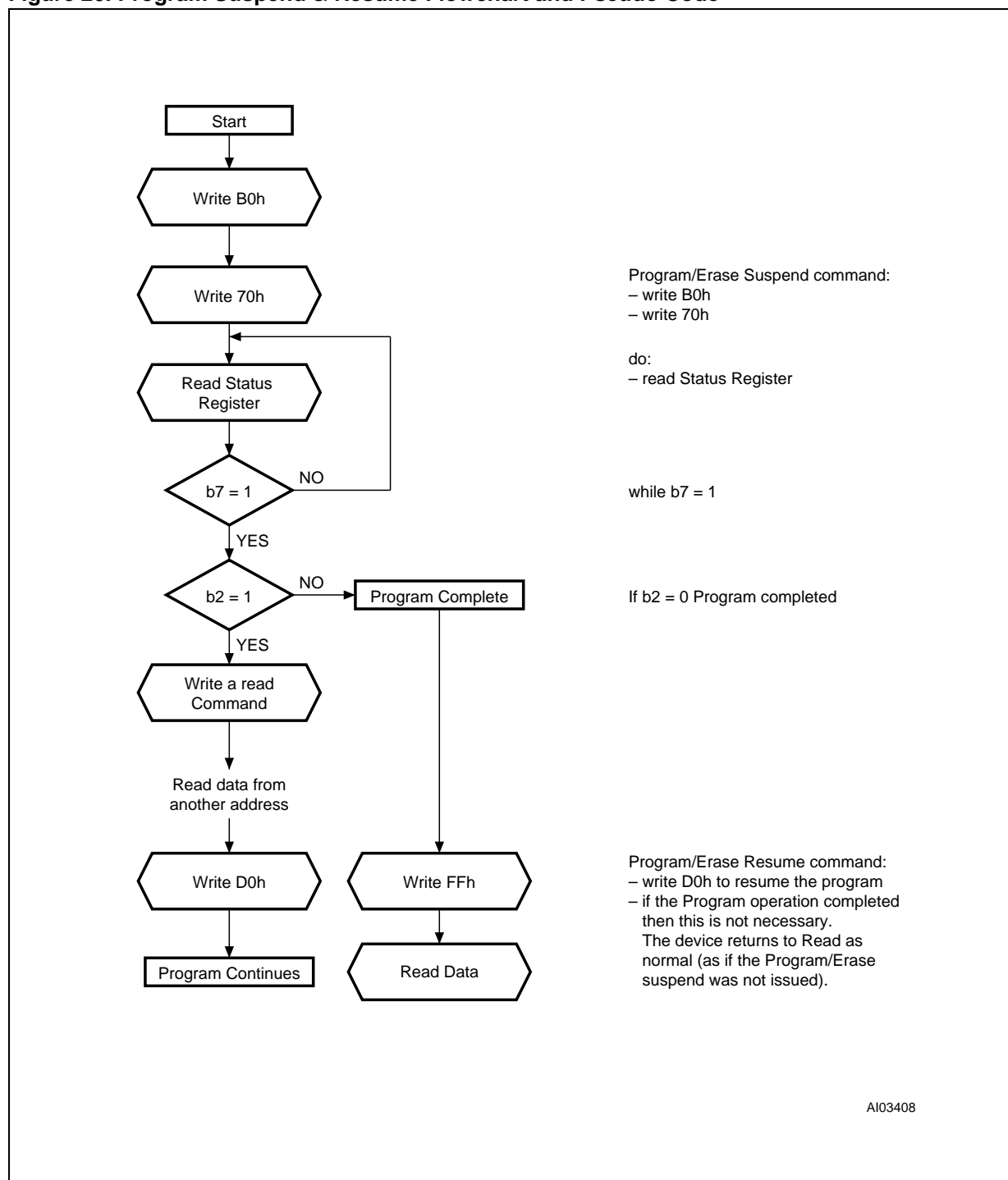
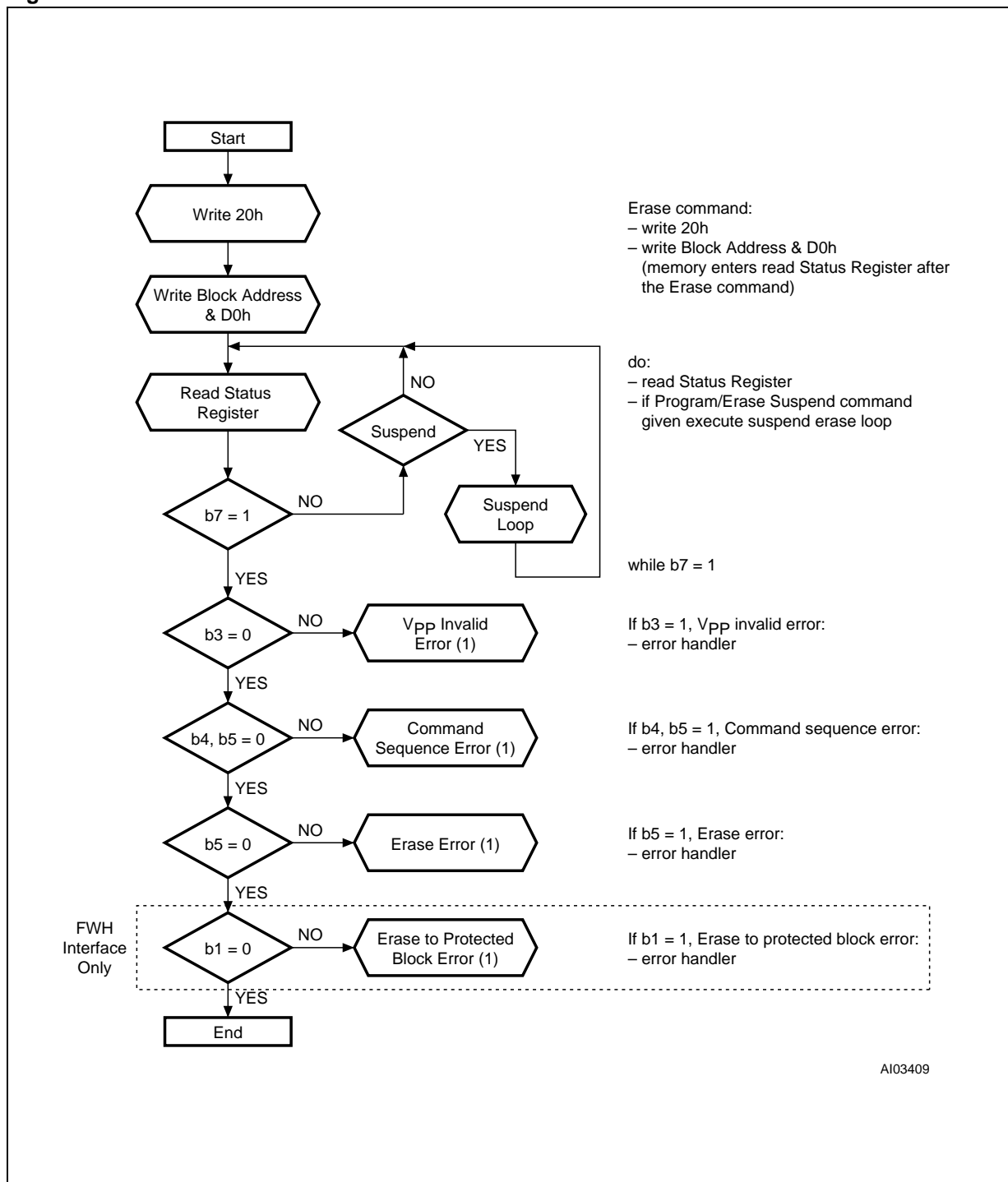
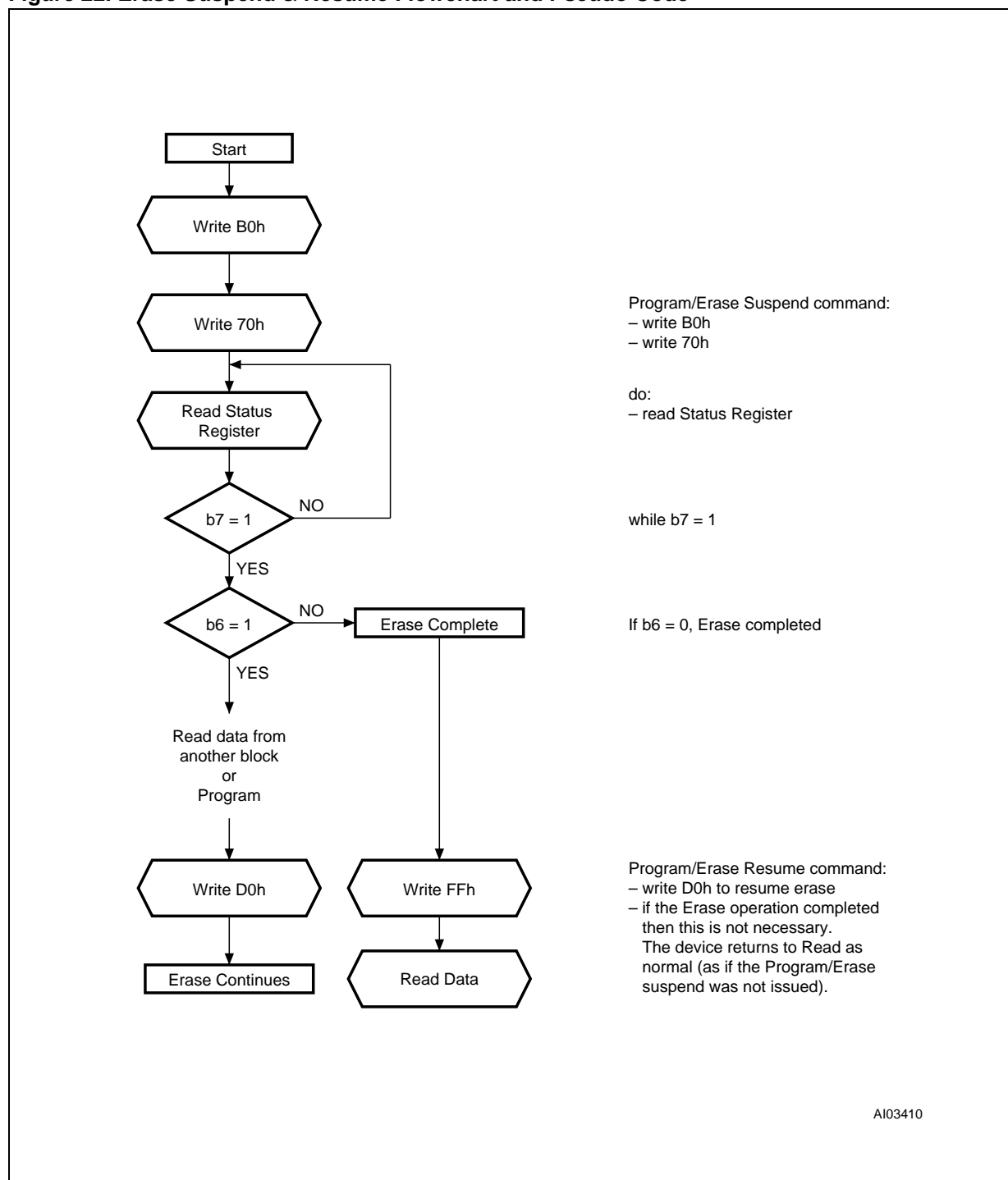


Figure 21. Erase Flowchart and Pseudo Code



Note: 1. If an error is found, the Status Register must be cleared before further Program/Erase Controller operations.

Figure 22. Erase Suspend &amp; Resume Flowchart and Pseudo Code



## REVISION HISTORY

Table 28. Document Revision History

Date	Version	Revision Details
September 2000	-01	First Issue
04-Oct-2000	-02	DC Characteristics: I <sub>CC4</sub> changed
11-Apr-01	-03	Document type: from Preliminary Data to Data Sheet Program and Erase functions clarification Read Electronic Signature table change FWH Register Configuration Map table change Input Register Definition table, note clarification DC Characteristics parameters clarification and new V <sub>IH</sub> and V <sub>IL</sub> parameters added FWH Interface AC Signal Timing Characteristics change A/A Mux Interface Read AC Characteristics change A/A Mux Interface Write AC Characteristics change A/A Mux Interface Write AC Waveforms change
06-Jul-2001	-04	Note 2 changed ( <a href="#">Table 13., Absolute Maximum Ratings</a> )
12-Mar-2002	-05	RFU pins must be left disconnected Specification of PLCC32 package mechanical data revised
09-Jul-2004	6.0	Revision numbering modified. Document imported in new template (and so reformatted). Temperature Range ordering information replaced by Device Grade, Standard packing option added and Plating Technology added to <a href="#">Table 27., Ordering Information Scheme</a> . T <sub>LEAD</sub> parameter added to <a href="#">Table 13., Absolute Maximum Ratings</a> and T <sub>BIAS</sub> parameter removed.
12-Jul-2004	7.0	Inches values corrected in <a href="#">Table 27., Ordering Information Scheme</a> .
10-Nov-2004	8.0	TSOP32 package added. <a href="#">Figure 3., Logic Diagram (A/A Mux Interface)</a> and <a href="#">Table 2., Signal Names (A/A Mux Interface)</a> added.



Information furnished is believed to be accurate and reliable. However, STMicroelectronics assumes no responsibility for the consequences of use of such information nor for any infringement of patents or other rights of third parties which may result from its use. No license is granted by implication or otherwise under any patent or patent rights of STMicroelectronics. Specifications mentioned in this publication are subject to change without notice. This publication supersedes and replaces all information previously supplied. STMicroelectronics products are not authorized for use as critical components in life support devices or systems without express written approval of STMicroelectronics.

The ST logo is a registered trademark of STMicroelectronics.  
All other names are the property of their respective owners

© 2004 STMicroelectronics - All rights reserved

STMicroelectronics group of companies  
Australia - Belgium - Brazil - Canada - China - Czech Republic - Finland - France - Germany - Hong Kong - India - Israel - Italy - Japan -  
Malaysia - Malta - Morocco - Singapore - Spain - Sweden - Switzerland - United Kingdom - United States of America  
[www.st.com](http://www.st.com)