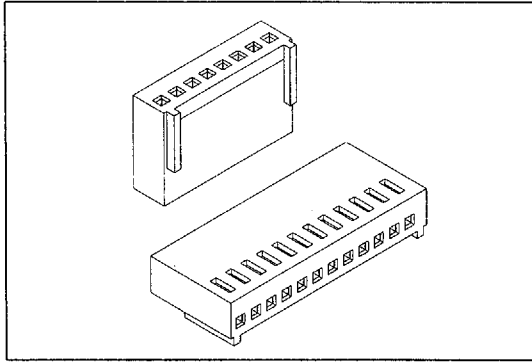


4071 SERIES

HOUSING 2.54mm(0.100")



Material:

Housing: Nylon 66 Flame retardant UL94V-0.
 Contacts: Brass
 Terminal Plating: Tin plated.
 Recommend Wire: 22AWG to 28AWG.

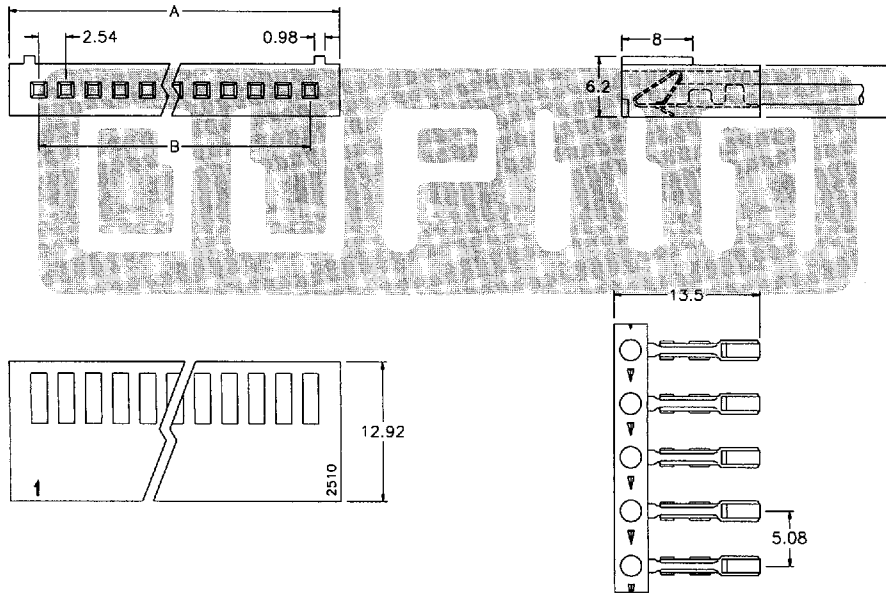
Electrical Characteristics:

Current Rating: 3 AMP.
 Insulator Resistance: 5000M Ω min. at DC 500V.
 Contact Resistance: 20m Ω max. at DC 100mA.
 Operating Temperature: -25°C ~ +85°C.

Features:

- * Available in Single row.
- * Box design terminal order separately.
- * Side-to-side and end-to-end stackable.
- * Polarizing key for proper orientation.

Mates with: 2011, 2012, 4071 wafer.



Position	2 Thru 20
Dimension	
A	2.54 X No. of Positions
B	2.54 X No. of Positions - 2.54

Ordering information

4071- 20 H
 Series No.of Position H: Housing

4071- PIN-T
 Series T: Tin Plated 10K Pins Per Reel