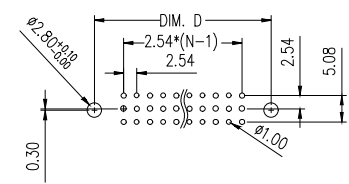


Recommended P.C.B Layout(Top Side)
(PCB BOARD TOLERANCE±0.05)



ROWS	DIM.A	DIM.B	DIM.C	DIM.D
3	95.00	78.74	85.00	90.00
2	55.00	38.10	44.40	50.00
1	55.00	38.10	44.40	50.00

Technical specifications:

Materials:

- Insulator: Glass-Filled PBT, Color: Grey, UL 94V-0
- Contact: Copper Alloy

Contact plating according DIN41612 performance classes:

Performance class	Performance class I (-1)	Performance class II (-2)	Performance class III (blank)
500 mating cycles min.	30u" AU plating on mating area, Gold Flash on non-mating area, 50u" Nickel underplating	250 mating cycles min.	50 mating cycles min.
100u" Sn plating on solder area over 50u" Nickel	15u" AU plating on mating area, Gold Flash on non-mating area, 50u" Nickel underplating	100u" Sn plating on solder area over 50u" Nickel	Gold flash on mating side over 50u" Nickel
		100u" Sn plating on solder area over 50u" Nickel	100u" Sn plating on solder area over 50u" Nickel

Other specifications:

Contact resistance:	20mOhm max.
Insulation resistance:	10 ¹² Ohm min.
Current rating:	2A
Operating temperature:	-40°C to 105°C
Operating voltage:	125VAC
Test voltage:	1000VAC
Packaging:	Tray
printing :	WSW+WSW part number +datacode(WWYY)

DIN41612 STYLE C FEMALE STRAIGHT									
ORDERING CODE							CONTACT DETAILS		
Style	M=Male F=Female	No of pins	Rows loaded	Pin type	Plating Class	Pin length in mm	Cross section	Pin load	Pin type/direction
A - C	F	xx	xx	x	- x				
Options (if another contact loading option is needed, please contact your sales office)									
A - C	F	96	abc	T	1	T: 4.00 (±0.25)	0.60x0.60(±0.03)	abc: 3x32	THT straight (Page 1)
		64	a+c	T2.5	2	T2.5: 2.50 (±0.25)		a+c: 2x32	
		32	a	W5	blank	W5: 4.57 (±0.25)	0.64x0.60(±0.03)	a: 1x32	Wire Wrap (Page 2) Press-In straight (Page 3)
				WAB		WAB: 13.00 (±0.25)			
				P		P: 5.00 (±0.20)			
				PWAB		PWAB: 13.00 (±0.20)			

G	Scale	Free	⑤	Correct the press fit length to 5.5 on page 3	23.08.2022	Winnie	Date	Name	Description: DIN 41612		
									Type C / Female / Straight		
H	RoHS compliant		TOLERANCE	④	Update dimension on page 2&3	11.07.2022	Daniel	Drawn	24.05.2013	Winnie	
	Unit:mm		X.	±X	③	Add UL E-file No.	14.05.2021	Daniel	Approved	23.08.2022	Winnie
	File No.: E198287		X.X	±0.40	③	Add page2&3	01.02.2021	Winnie			
			X.XX	±0.25	②	Change to new plant	17.08.2020	Winnie			
			X.XXX	±0.15	①	Drawn	24.05.2013	Winnie			
		DIM	TOL	①	Id.	Modification	Date	Name	ASSMANN WSW components		
		Angle	±3°						Drawing-No.	ASS 5677 CO	
									Customer-No.	rev05	
									SHEET	1 / 3	

1

2

3

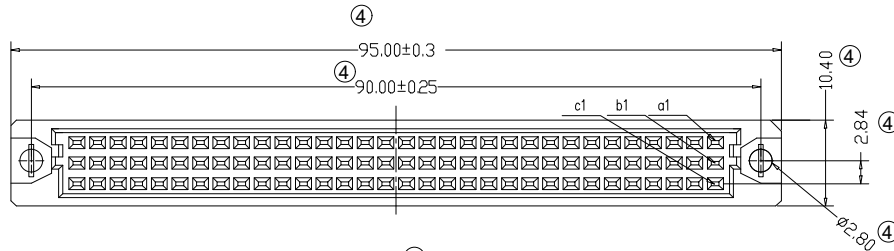
4

5

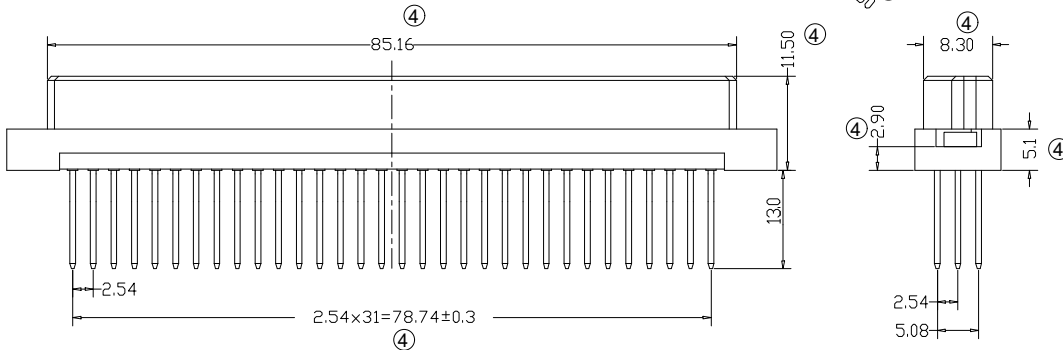
6

7

A



B



C

D

Technical specifications:

Materials:

- 1. Insulator: Glass-Filled PBT, Color: Grey, UL 94V-0
- 2. Contact: Copper Alloy

Contact plating according DIN41612 performance classes:

- Performance class I (-1)
500 mating cycles min.
30u" AU plating on mating area, Gold Flash on non-mating area,
50u" Nickel underplating
100u" Sn plating on solder area over 50u" Nickel
- Performance class II (-2)
250 mating cycles min.
15u" AU plating on mating area, Gold Flash on non-mating area,
50u" Nickel underplating
100u" Sn plating on solder area over 50u" Nickel
- Performance class III (blank)
50 mating cycles min.
Gold flash on mating side over 50u" Nickel
100u" Sn plating on solder area over 50u" Nickel

Other specifications:

- Contact resistance: 20mOhm max.
- Insulation resistance: 10¹²Ohm min.
- Current rating: 2A
- Operating temperature: -40°C to 105°C
- Operating voltage: 125VAC
- Test voltage: 1000VAC
- Packaging: Tray
- printing : WSW+WSW part number +datacode(WWYY)

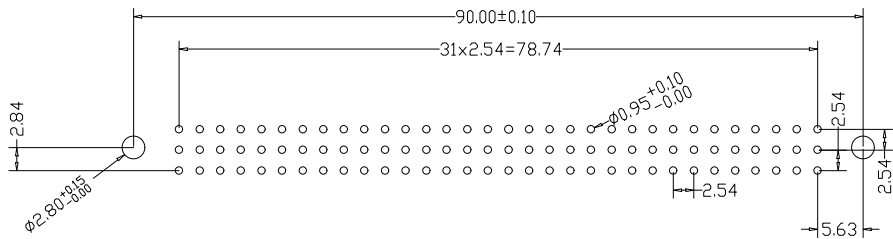
A

B

C

D

Recommended P.C.B Layout(Top Side)
(PCB BOARD TOLERANCE±0.05)



DIN41612 STYLE C FEMALE STRAIGHT												
ORDERING CODE							CONTACT DETAILS					
Style	M=Male F=Female	No of pins	Rows loaded	Pin type	Plating Class	Pin length in mm	Cross section	Pin load	Pin type/direction			
A - C	F	xx	xx	x	- x							
Options (if another contact loading option is needed, please contact your sales office)												
A - C	F	96	abc	T	1	T: 4.00 (±0.25)	0.60x0.60(±0.03)	abc: 3x32 a+c: 2x32	THT straight (Page 1)			
		64	a+c	T2.5	2	T2.5: 2.50 (±0.25)			0.64x0.60(±0.03)	a: 1x32	Wire Wrap (Page 2)	
		32	a	W5	blank	W5: 4.57 (±0.25)	0.64x0.60(±0.03)				Press-In straight (Page 3)	
				WAB		WAB: 13.00 (±0.25)						
				P		P: 5.00 (±0.20)						
				PWAB		PWAB: 13.00 (±0.20)						

E

F

G

RoHS compliant
Unit:mm

Scale	Free	⑤	Modification	Date	Name	Description: DIN 41612 Type C / THT Wrap /Female / Straight	
TOLERANCE		④	Update dimension on page 2&3	11.07.2022	Daniel	Drawn	24.05.2013 Winnie
X.	±X	③	Add UL E-file No.	14.05.2021	Daniel	Approved	23.08.2022 Winnie
X.X	±0.40	②	Add page2&3	01.02.2021	Winnie		
X.XX	±0.25	①	Change to new plant	17.08.2020	Winnie		
X.XXX	±0.15	①	Drawn	24.05.2013	Winnie		
DIM	TOL	①					
Angle	±3°	Id.					

ASSMANN
WSW components
ASS 5677 CO
rev05
Customer-No. SHEET 2 / 3

G

H

1

2

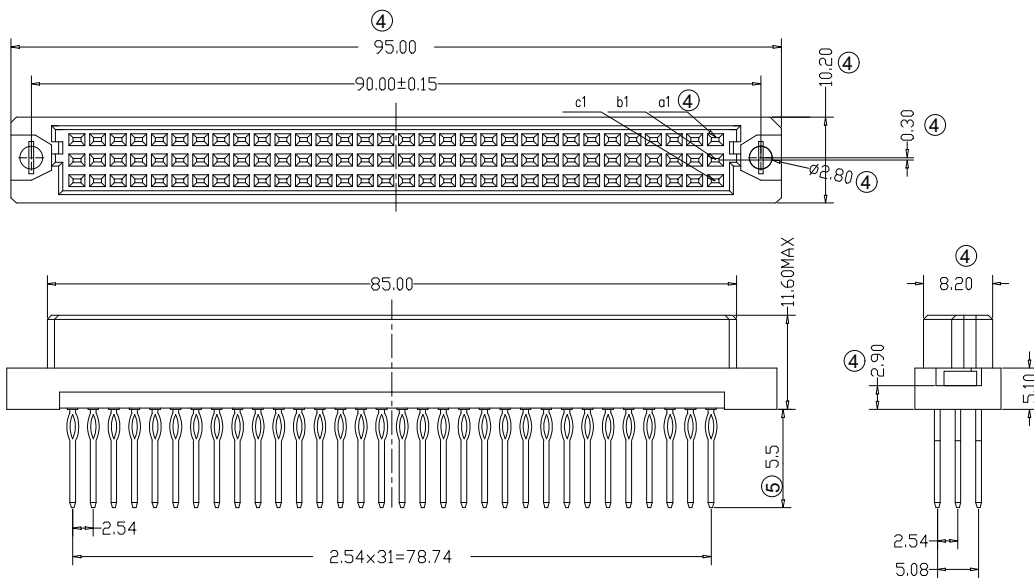
3

4

5

6

7



Technical specifications:

Materials:

- Insulator: Glass-Filled PBT, Color: Grey, UL 94V-0
- Contact: Copper Alloy

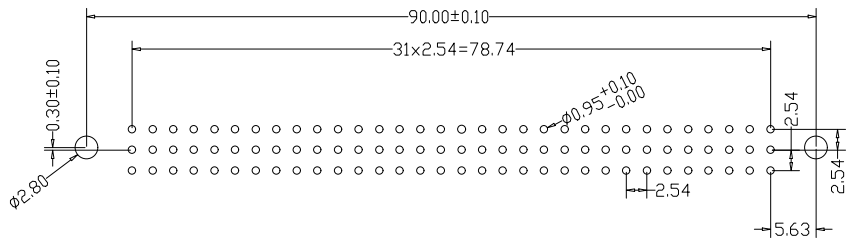
Contact plating according DIN41612 performance classes:

Performance class	Requirements
Performance class I (-1)	500 mating cycles min. 30u" AU plating on mating area, Gold Flash on non-mating area, 50u" Nickel underplating 100u" Sn plating on solder area over 50u" Nickel
Performance class II (-2)	250 mating cycles min. 15u" AU plating on mating area, Gold Flash on non-mating area, 50u" Nickel underplating 100u" Sn plating on solder area over 50u" Nickel
Performance class III (blank)	50 mating cycles min. Gold flash on mating side over 50u" Nickel 100u" Sn plating on solder area over 50u" Nickel

Other specifications:

- Contact resistance: 20mOhm max.
- Insulation resistance: 10¹²Ohm min.
- Current rating: 2A
- Operating temperature: -40°C to 105°C
- Operating voltage: 125VAC
- Test voltage: 1000VAC
- Packaging: Tray
- printing : WSW+WSW part number +datacode(WWYY)

Recommended P.C.B Layout(Top Side)
(PCB BOARD TOLERANCE±0.05)



DIN41612 STYLE C FEMALE STRAIGHT										
ORDERING CODE							CONTACT DETAILS			
Style	M=Male F=Female	No of pins	Rows loaded	Pin type	Plating Class	Pin length in mm	Cross section	Pin load	Pin type/direction	
A - C	F	xx	xx	x	- x					
Options (if another contact loading option is needed, please contact your sales office)										
A - C	F	96	abc	T	1	T: 4.00 (±0.25)	0.60x0.60(±0.03)		abc: 3x32	THT straight (Page 1)
		64	a+c	T2.5	2	T2.5: 2.50 (±0.25)			a+c: 2x32	
		32	a	W5	blank	W5: 4.57 (±0.25)	0.64x0.60(±0.03)		a: 1x32	Wire Wrap (Page 2) Press-In straight (Page 3)
				WAB		WAB: 13.00 (±0.25)				
				P		P: 5.00 (±0.20)				
				PWAB		PWAB: 13.00 (±0.20)				

RoHS compliant
Unit:mm

Scale	Free	⑤	Modification	Date	Name		Description: DIN 41612 Type C / Press-in /Female / Straight		
TOLERANCE		④	Update dimension on page 2&3	11.07.2022	Daniel		Drawn	24.05.2013	Winnie
X.	±X	③	Add UL E-file No.	14.05.2021	Daniel		Approved	23.08.2022	Winnie
X.X	±0.40	②	Add page2&3	01.02.2021	Winnie				
X.XX	±0.25	①	Change to new plant	17.08.2020	Winnie				
X.XXX	±0.15	①	Drawn	24.05.2013	Winnie				
DIM	TOL	①	Id.						
Angle	±3°	Id.							
							ASSMANN ASS 5677 CO rev05 Customer-No. SHEET 3 / 3		