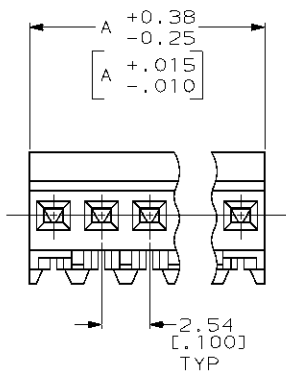
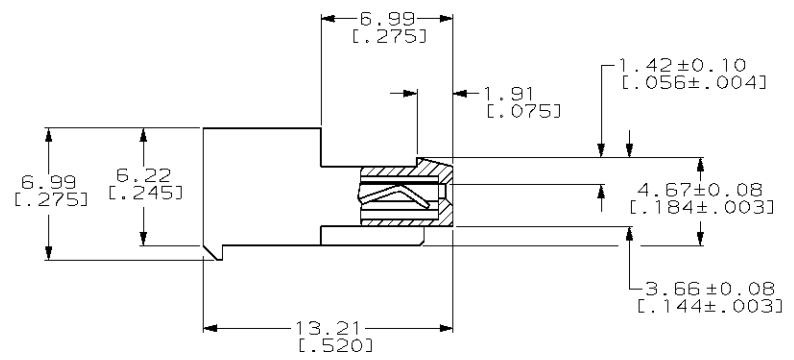
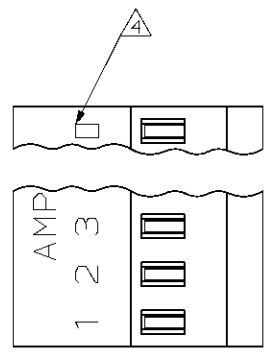


LOC	DIST	P	F	REVISIONS			DATE	APPD
				ZONE	LTR	DESCRIPTION		
CM	54				T	REACT -18 THRU -21,-23,-24, & -26 THRU-28 PER EC 0L30-0141-96	1-3-96	JH RS



- ⚠ MATERIAL: CONNECTOR - NYLON UL94V-2 (GREEN).
CONTACTS - 0.30[.012] THICK COPPER ALLOY
(BRIGHT-TIN 0.00203
[.000080] MIN THK)
- 2. CONTACTS ACCEPT 28 AWG WIRE WITH 1.52[.060] MAX INSULATION DIAMETER.
- 3. CONTACTS MUST ACCEPT 0.64±0.03[.025] POST AND REMAIN LOCKED IN POSITION.
- ⚠ IDENTIFICATION NUMBER FOR LAST CIRCUIT MAY NOT APPEAR ON ALL ASSEMBLIES.
- 5. DIMENSIONS IN BRACKETS ARE IN INCHES.
- 6. HOUSING FEATURES ARE: CLOSED END WITH LOCKING RAMP.

DIM A	NO OF CIRCUITS	PART NO
71.12 [2.800]	28	2-640443-8
68.58 [2.700]	27	2-640443-7
66.04 [2.600]	26	2-640443-6
63.50 [2.500]	25	2-640443-5
60.96 [2.400]	24	2-640443-4
58.42 [2.300]	23	2-640443-3
55.88 [2.200]	22	2-640443-2
53.34 [2.100]	21	2-640443-1
50.80 [2.000]	20	2-640443-0
48.28 [1.900]	19	1-640443-9
45.72 [1.800]	18	1-640443-8
43.18 [1.700]	17	1-640443-7
40.64 [1.600]	16	1-640443-6
38.10 [1.500]	15	1-640443-5
35.56 [1.400]	14	1-640443-4
33.02 [1.300]	13	1-640443-3
30.48 [1.200]	12	1-640443-2
27.94 [1.100]	11	1-640443-1
25.40 [1.000]	10	1-640443-0
22.86 [.900]	9	640443-9
20.32 [.800]	8	640443-8
17.78 [.700]	7	640443-7
15.24 [.600]	6	640443-6
12.70 [.500]	5	640443-5
10.16 [.400]	4	640443-4
7.62 [.300]	3	640443-3
5.08 [.200]	2	640443-2

METRIC

DO NOT SCALE PRINT. UNLESS SPECIFIED DIMENSIONS IN mm (INCHES) TOLERANCES ON: 2 PLC DEC ± - 3 PLC DEC ± 0.13 [.005] ANGLES ± -	DR 4-22-91 B. LEWIS	AMP AMP Incorporated Harrisburg, PA 17105-3608		
	CHK 4-22-91 R. SWING			
MATERIAL ⚠	APPD 4-22-91 G. MILLER	SIZE	CAGE CODE	DRAWING NO
	PRODUCT SPEC 108-1050	Ⓒ	00779	640443
FINISH ⚠	APPLICATION SPEC 114-1019	SCALE	SHEET 1 OF 1	
WEIGHT -		CUSTOMER DRAWING		