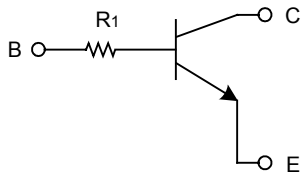


NPN DIGITAL TRANSISTOR
(BUILT-IN RESISTOR)

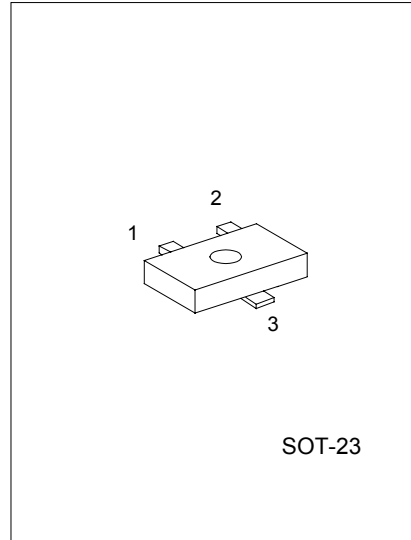
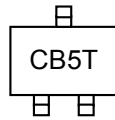
FEATURES

- *Built-in bias resistors enable the configuration of an inverter circuit without connecting external input resistors.
- *The bias resistors consist of thin-film resistors with complete isolation to allow positive biasing of the input. They also have the advantage of almost completely eliminating parasitic effects.
- *Only the on / off conditions need to be set for operation, making device design easy.

EQUIVALENT CIRCUIT



MARKING



1: EMITTER 2: BASE 3: COLLECTOR

ABSOLUTE MAXIMUM RATINGS (Ta=25°C)

PARAMETER	SYMBOL	RATING	UNIT
Collector-base voltage	V _{CB0}	50	V
Collector-emitter voltage	V _{CE0}	50	V
Emitter-base voltage	V _{EB0}	5	V
Collector current	I _c	100	mA
Collector Power dissipation	P _c	200	mW
Junction temperature	T _j	150	°C
Storage temperature	T _{stg}	-55~+150	°C

ELECTRICAL CHARACTERISTICS (Ta=25°C, unless otherwise specified)

PARAMETER	SYMBOL	TEST CONDITIONS	MIN	TYP	MAX	UNIT
Collector-base breakdown voltage	BV _{CB0}	I _c =50μA	50			V
Collector-emitter breakdown voltage	BV _{CE0}	I _c =1mA	50			V
Emitter-base breakdown voltage	BV _{EB0}	I _E =50μA	5			V
Collector cutoff current	I _{CB0}	V _{CB} =50V			0.5	μA
Emitter cutoff current	I _{EB0}	V _{EB} =4V			0.5	μA
Collector-emitter saturation voltage	V _{CE(sat)}	I _c =1mA, I _B =0.1mA			0.3	V
DC current transfer ratio	h _{FE}	V _{CE} =5V, I _c =1mA	100	250	600	
Input resistance	R1		70	100	130	kΩ
Transition frequency	f _r	V _{CE} =10V, I _E =-5mA, f=100MHz *		250		MHz

* Transition frequency of the device

UTC assumes no responsibility for equipment failures that result from using products at values that exceed, even momentarily, rated values (such as maximum ratings, operating condition ranges, or other parameters) listed in products specifications of any and all UTC products described or contained herein. UTC products are not designed for use in life support appliances, devices or systems where malfunction of these products can be reasonably expected to result in personal injury. Reproduction in whole or in part is prohibited without the prior written consent of the copyright owner. The information presented in this document does not form part of any quotation or contract, is believed to be accurate and reliable and may be changed without notice.