

Customer Information Sheet

DRAWING No.: M22-301XX00 SHEET 2 OF 2

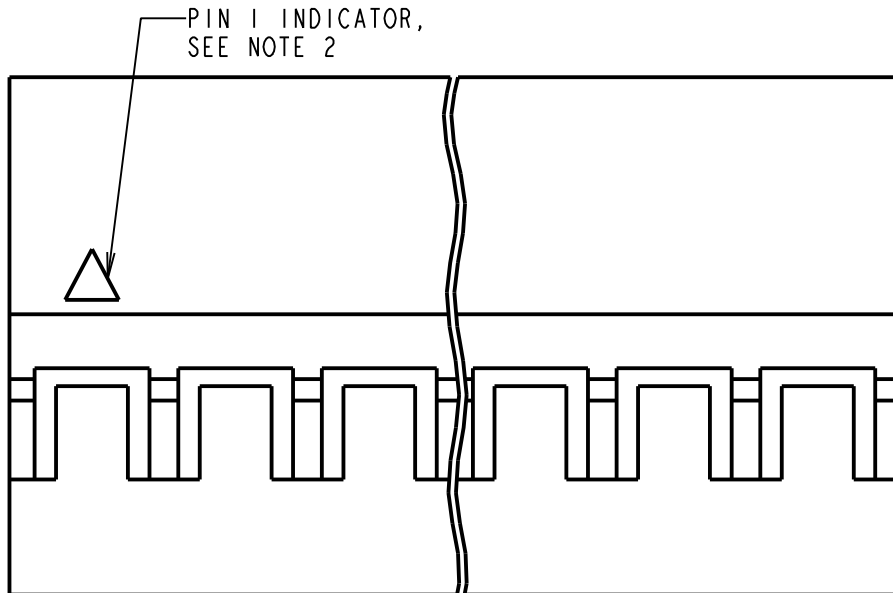
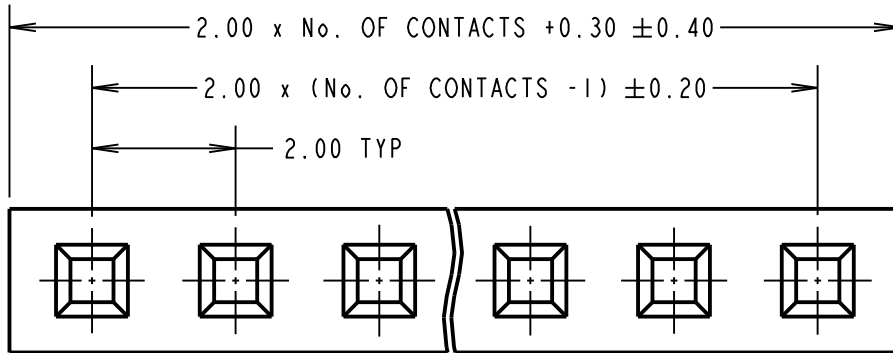
IF IN DOUBT - ASK

©

NOT TO SCALE

THIRD ANGLE PROJECTION

ALL DIMENSIONS IN mm



SPECIFICATION:

MATERIAL

MOULDING = NYLON 66 UL94V-2, BLACK

ELECTRICAL:

CURRENT RATING = 1A AC/DC

VOLTAGE RATING = 250V AC/DC MAX

DIELECTRIC WITHSTANDING VOLTAGE = 800V AC FOR 1 MINUTE

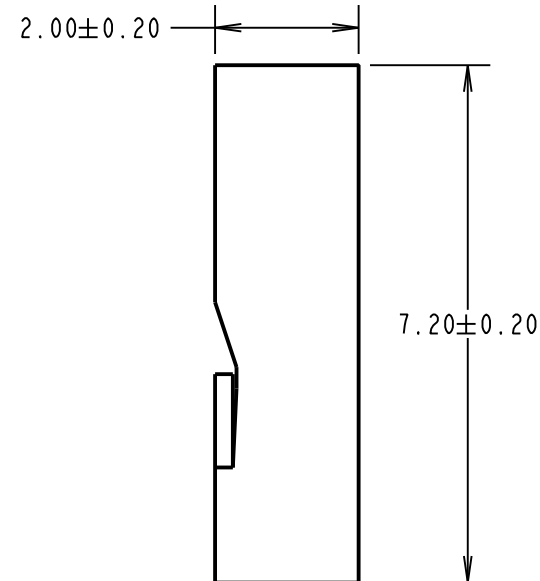
INSULATION RESISTANCE = 1000 MΩ MIN

ENVIRONMENTAL:

OPERATING TEMPERATURE = -25°C TO +85°C

NOTES:

1. TO BE USED WITH CRIMP CONTACTS M22-30400XX (REELED) OR M22-30500XX (LOOSE).
2. TRIANGLE PIN INDICATOR IS ON PIN 1 AND EVERY 5th PIN AFTER.



ORDER CODE:

M22-301XX00

No. OF CONTACTS: 02 TO 30

| | | | |
|---------------------|------|----------|--------|
| SB | 12 | 23.07.13 | 12159 |
| NAME | ISS. | DATE | C/NOTE |
| APPROVED: S.BENNETT | | | |
| CHECKED: S.FLOWER | | | |
| DRAWN: I. SANDY | | | |
| CUSTOMER REF.: | | | |
| ASSEMBLY DRG: | | | |

HARWIN

www.harwin.com
technical@harwin.com

THIS DRAWING AND ANY INFORMATION OR DESCRIPTIVE MATTER SET OUT HEREON ARE CONFIDENTIAL AND COPYRIGHT PROPERTY OF THE HARWIN GROUP AND MUST NOT BE DISCLOSED, LOANED, COPIED OR USED FOR MANUFACTURING, TENDERING OR FOR ANY OTHER PURPOSE WITHOUT THEIR WRITTEN PERMISSION.

TOLERANCES

X. = ±1mm
X.X = ±0.25mm
X.XX = ±0.10mm
X.XXX = ±0.01mm

ANGLES = ±5°
UNLESS STATED

MATERIAL:

SEE ABOVE

FINISH: SEE ABOVE

S/AREA: mm²

TITLE:

2.00mm SIL CRIMP SOCKET HOUSING

DRAWING NUMBER:

M22-301XX00

SHT
2 OF 2