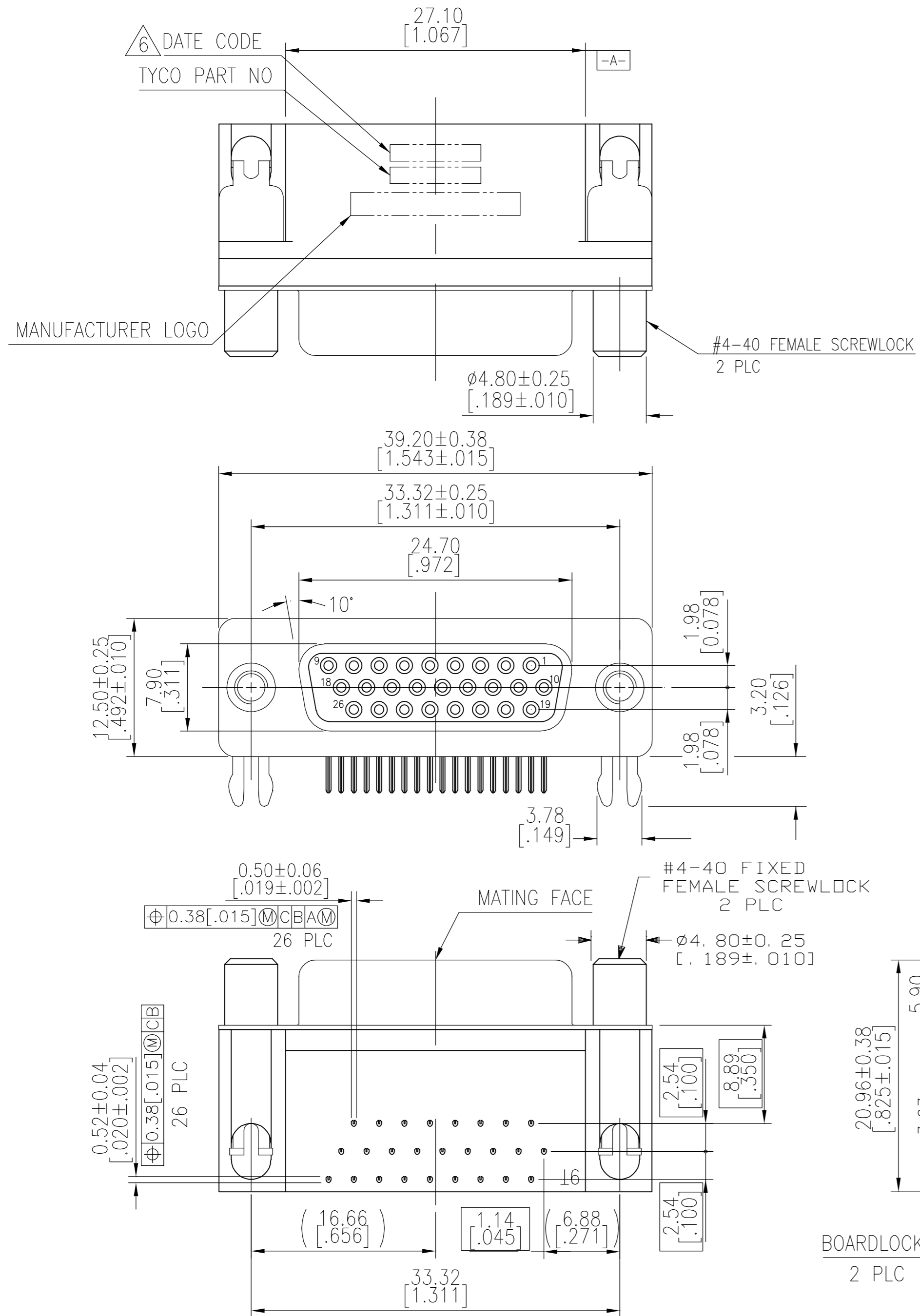
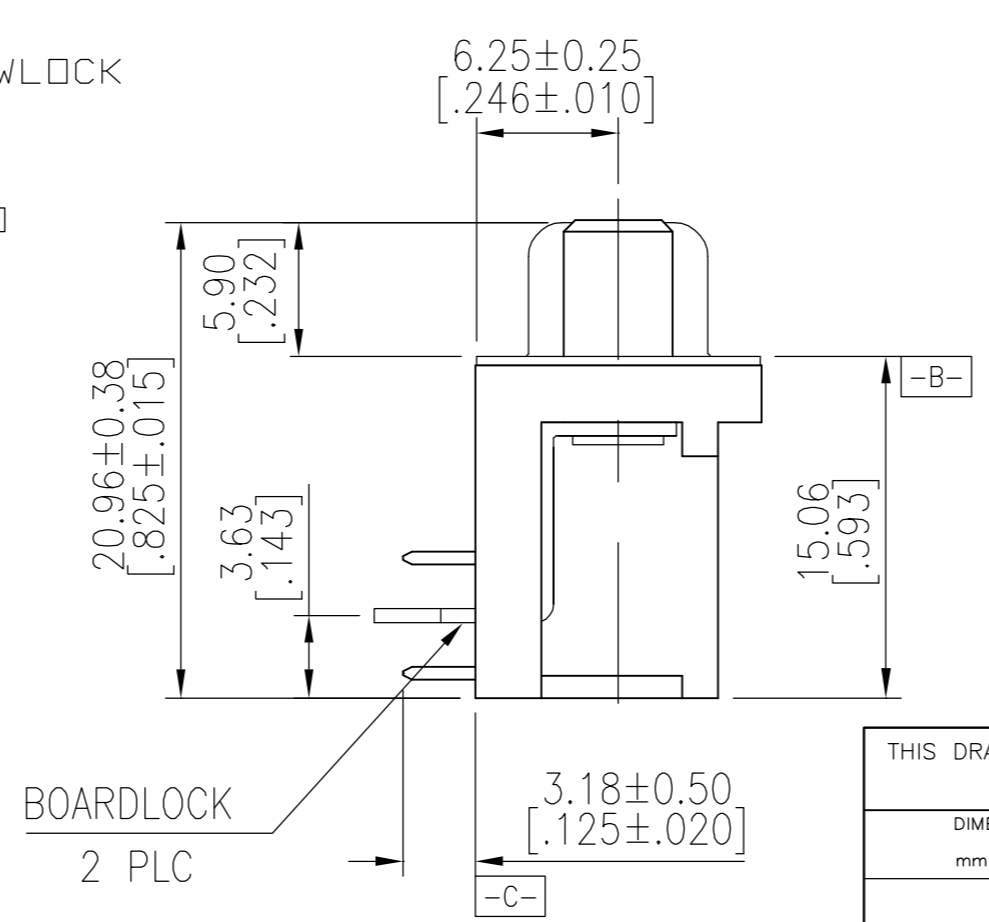
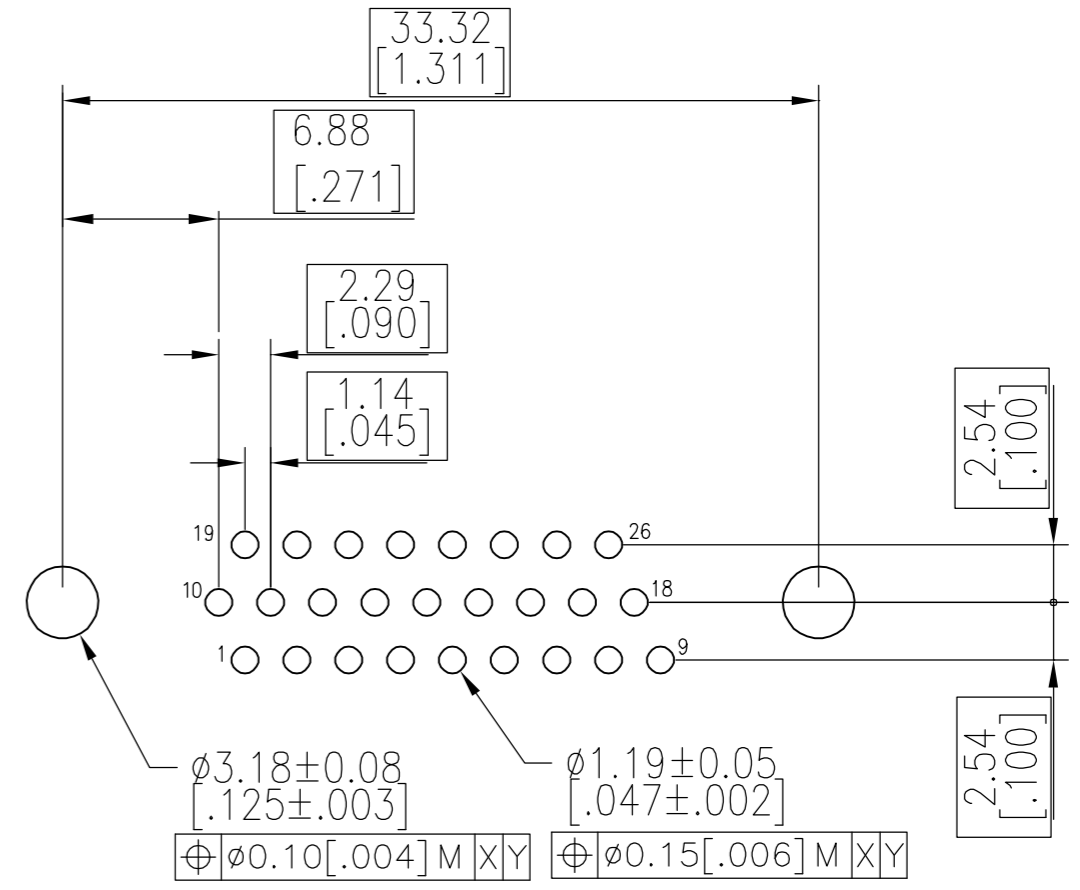
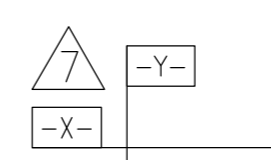


THIS DRAWING IS UNPUBLISHED. RELEASED FOR PUBLICATION  
 © COPYRIGHT BY TYCO ELECTRONICS CORPORATION. ALL RIGHTS RESERVED.

LOC	DIST	REVISIONS					
		P	LTR	DESCRIPTION	DATE	DWN	APVD
GP	00	C		REVISED PER ECO-06-026648	13NOV06	JDP	SLB



- HOUSING: NYLON 9T, BLACK, UL 94V-0.
  - CONTACT: PHOSPHOR BRONZE, 30u" MIN GOLD PLATE IN THE MATING AREA, 120u" MIN TIN PLATE ON THE SOLDER TAIL, BOTH OVER 50u" MIN NICKEL UNDERPLATE.
  - SHELL: STEEL, NICKEL PLATE.
  - BOARDLOCK: BRASS, 100u" MIN TIN PLATE.
  - FEMALE SCREWLOCK: BRASS, 30u" MIN NICKEL PLATE.
- △ FOUR DIGIT DATE CODE IN THIS FORMAT.
- YEAR 01 45 MANUFACTURING WEEK
- △ DATUMS -X- AND -Y- TO BE ESTABLISHED BY CUSTOMER.
- FORCE TO SEAT RECEPTACLE ON PCB TO BE 1.5KG±0.5KG [3.3LB±1.1LB].
  - PARTS TO BE SUPPLIED IN TAPE & REEL PACKAGING.
  - REFLOW SOLDER COMPATIBLE PER 109-201, CONDITION B.

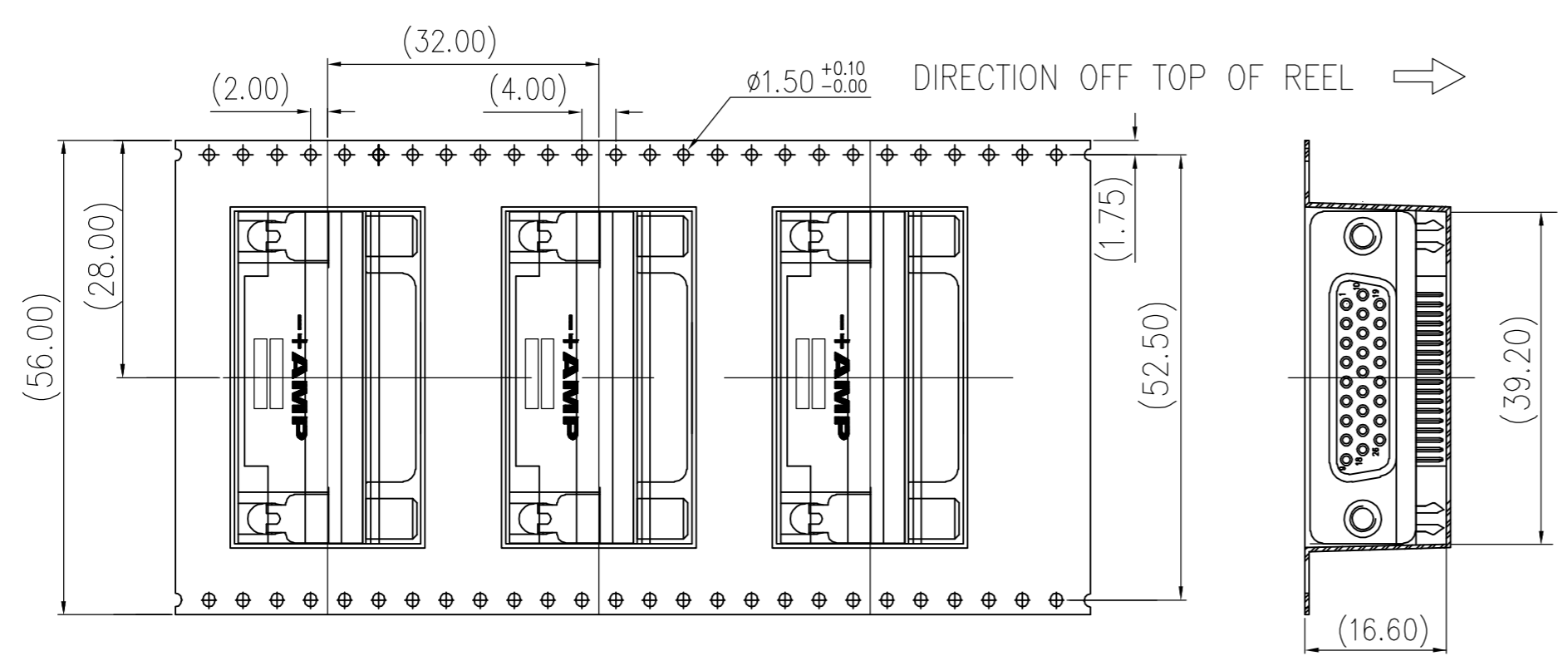
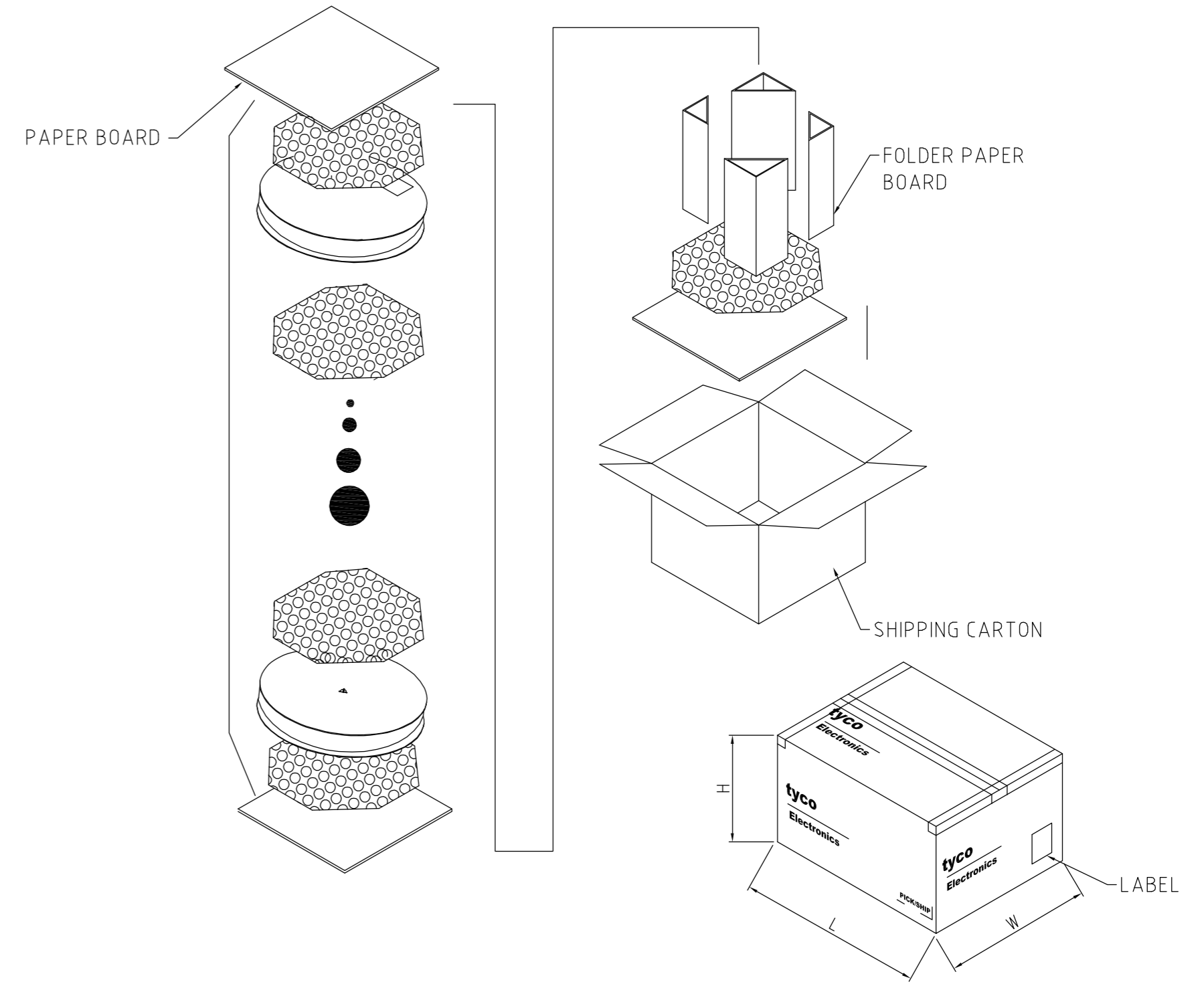
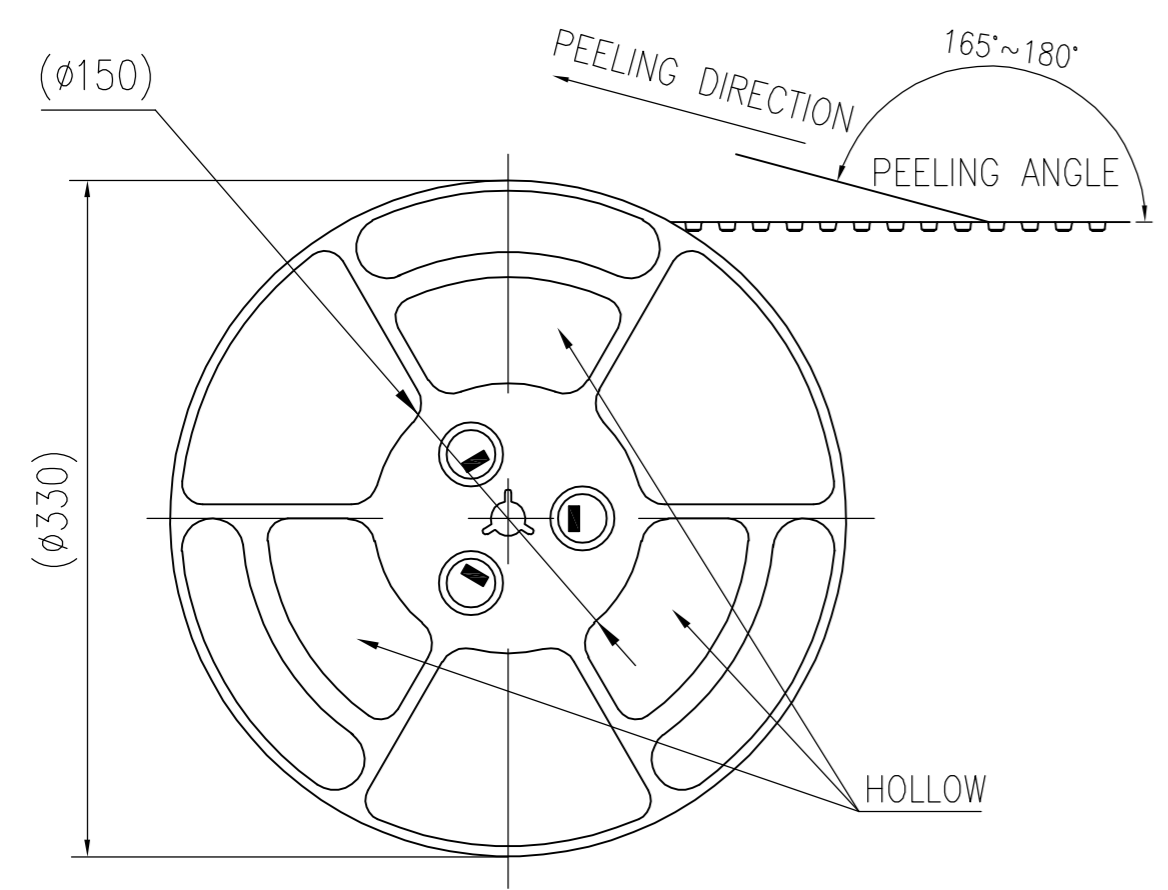
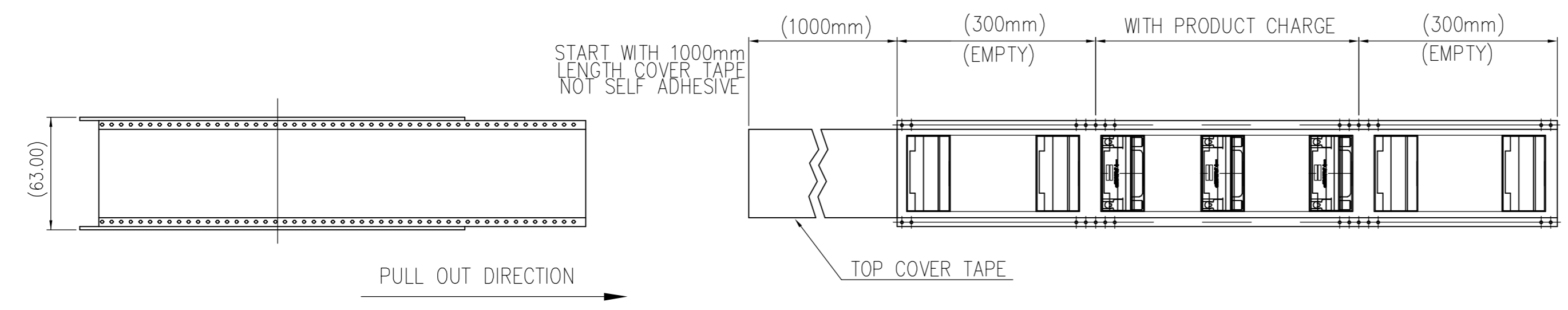


THIS DRAWING IS A CONTROLLED DOCUMENT.		DWN	J. GERACE	20FEB06	Tyco Electronics Corporation Harrisburg, PA 17105-3608		
DIMENSIONS: mm [INCHES]		CHK	M. WALMSLEY	20FEB06	NAME ASSEMBLY, RECEPTACLE, RIGHT ANGLE, 26 POSITION, HD-22, AMPLIMITE		
TOLERANCES UNLESS OTHERWISE SPECIFIED:		APVD	S. BOLASH	20FEB06	SIZE	CAGE CODE	DRAWING NO
0 PLC ± -		PRODUCT SPEC	-	-	A2	00779	C=1888202
1 PLC ± 0.3[.012]		APPLICATION SPEC	-	-	SCALE	1:1	SHEET 1 of 2
2 PLC ± 0.2[.008]		WEIGHT	-	-	REV	C	
3 PLC ± 0.1[.004]		CUSTOMER DRAWING	-	-			
4 PLC ± -							
ANGLES ± -							
FINISH							

1888202-1  
PART NUMBER

THIS DRAWING IS UNPUBLISHED. RELEASED FOR PUBLICATION  
 © COPYRIGHT BY TYCO ELECTRONICS CORPORATION. ALL RIGHTS RESERVED.

LOC		DIST		REVISIONS			
P	LTR	DESCRIPTION	DATE	DWN	APVD		
GP	00	SEE SHEET 1	-	-	-		



PCS/REEL	REEL/CARTON	TOTAL(PCS)	CARTON SIZE (CM)	NET WEIGHT (Kg)	GROSS WEIGHT (Kg)
100	5	500	360x360x350	5.6Kg	6.0Kg

THIS DRAWING IS A CONTROLLED DOCUMENT.		DWN J. GERACE 20FEB06	Tyco Electronics Corporation Harrisburg, PA 17105-3608		
DIMENSIONS: mm [INCHES]		CHK M. WALMSLEY 20FEB06			
TOLERANCES UNLESS OTHERWISE SPECIFIED:		APVD S. BOLASH 20FEB06	NAME ASSEMBLY, RECEPTACLE, RIGHT ANGLE, 26 POSITION, HD-22, AMPLIMITE		
0 PLC ± - 1 PLC ± 0.3[.012] 2 PLC ± 0.2[.008] 3 PLC ± 0.1[.004] 4 PLC ± - ANGLES ± - FINISH		PRODUCT SPEC -	RESTRICTED TO -		
MATERIAL -		APPLICATION SPEC -	SIZE A2	CAGE CODE 00779	DRAWING NO C=1888202
		WEIGHT -	SCALE 3:1	SHEET 2 of 2	REV C
CUSTOMER DRAWING					

