

**D-SUB Connector**

**SPECIFICATIONS**

**Mechanical**

**Contact Engagement Force :** 0.34 Kgf/ Pin max.  
**Contact Separation Force :** 0.021 Kgf/ Pin min.  
**Durability :** 500 Cycles

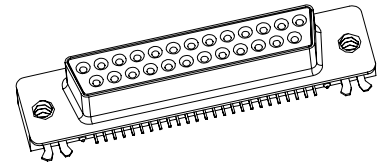
**Electrical**

**Voltage Rating:** 240V  
**Current Rating:** 1A  
**Contact Resistance:** 30 mΩ max.  
**Dielectric Withstanding Voltage:** 500V AC/1 min.  
**Insulation Resistance:** 5000MΩ

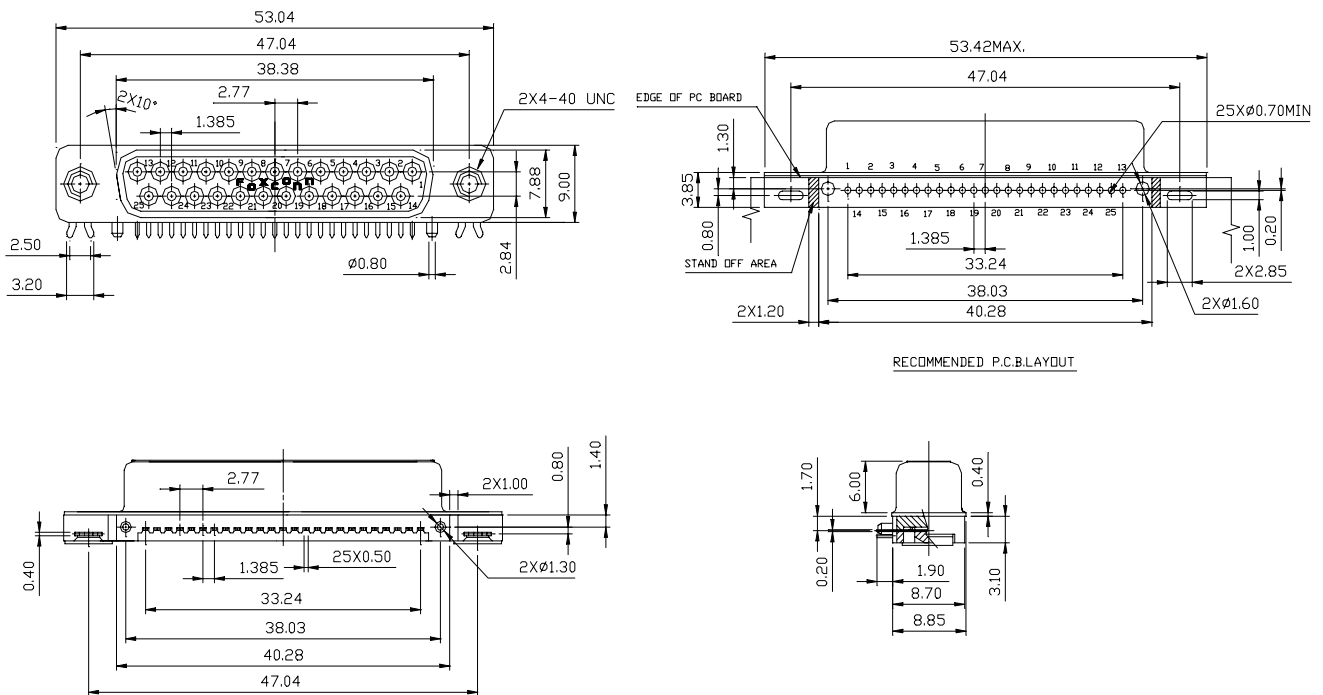
**Physical**

**Housing:** Thermoplastic, UL 94V-0 rated in Black/ PC99 Color  
**Contact:** Copper alloy  
**Plating:** See "ORDERING INFORMATION"  
**Solder Pad:** Copper alloy  
**Operating Temperature:** -55 to +105

**DZ Series**  
**Right Angle, T/H, Female**  
**Type**  
**15 Pos.**  
**Center Height 4.27 mm**  
**Recommended PCB's**  
**Thickness 1.0 or 1.2 mm**



**DRAWING**



**ORDERING INFORMATION**

