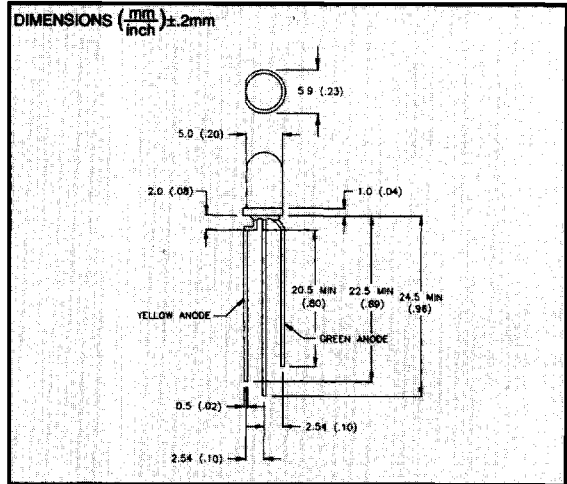


SSL-LX5099XXW SERIES T-5 3 LEADED TRI-COLOR STATE LAMP

- | | | |
|--|--|--|
| FEATURES
• Three Leaded Units
• Four Model Options
• Tri-Color State on A.C. | APPLICATIONS
• Indicators
• Go-No Go Annunciator
• Status Indicators | OPTIONS AVAILABLE
• Add-on Leads
• Add-on Spacers
• Panel Mounting Clips |
|--|--|--|

LUMEX PART NBR	EMITTED COLOR		EPOXY LENS COLOR	BRIGHTNESS		VIEW ANGLE	VI@20mA	
	PEAK(nm)			TYP.(mcd.)	If(mA)		TYP.	MAX
SSL-LX5099IGW	RED/GREEN	635/565	WHITE DIFF.	8/8	20	80	2.1	2.8
SSL-LX5099HGW	RED/GREEN	695/565	WHITE DIFF.	5/8	20	80	2.1	2.8
SSL-LX5099YGW	YELLOW/GREEN	585/565	WHITE DIFF.	8/8	20	80	2.1	2.8
SSL-LX5099HYW	RED/YELLOW	695/585	WHITE DIFF.	5/8	20	80	2.1	2.8

See pages 8 -14 for Max. operating limits and operating curves

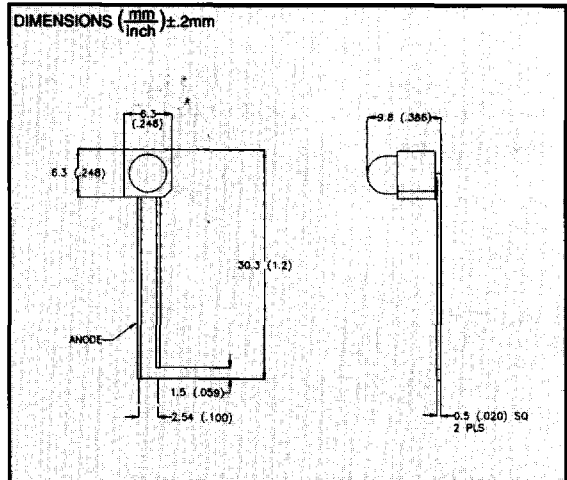


SSF-LX453XX-99 SERIES T-5 RIGHT ANGLE ALL EPOXY LENS PKG.

- | | | |
|--|--|--|
| FEATURES
• Right-Angle Package
• Stackable Side-By-Side
• Three Color Choices
• Low Current Options | APPLICATIONS
• Indicators-Panel/P.C.
• Data Line Indicators
• Legend Illuminations | OPTIONS AVAILABLE
• Add-on Spacers |
|--|--|--|

LUMEX PART NBR	EMITTED COLOR		EPOXY LENS COLOR	BRIGHTNESS		VIEW ANGLE	VI@20mA	
	PEAK(nm)			TYP.(mcd.)	If(mA)		TYP.	MAX
SSF-LX453ID-99	RED	635	RED DIFF.	15	20	80	2.0	2.8
SSF-LX453SRD-99	RED	660	RED DIFF.	70	20	80	1.7	2.2
SSF-LX453GD-99	GREEN	565	GREEN DIFF.	15	20	80	2.1	2.8
SSF-LX453YD-99	YELLOW	585	YELLOW DIFF.	15	20	80	2.1	2.8
BI-COLOR OPTIONS								
SSF-LX453IGW-99	RED/GREEN	635/565	WHITE DIFF.	10/10	20/20	80	2.0	2.8
LOW CURRENT OPTIONS								
SSF-LX453LID-99	RED	635	RED DIFF.	1.5	2	80	2.0	2.8
SSF-LX453LGD-99	GREEN	565	GREEN DIFF.	1.5	2	80	2.1	2.8
SSF-LX453LYD-99	YELLOW	585	YELLOW DIFF.	1.5	2	80	2.1	2.8
SSF-LX453ERD-99	RED	660	RED DIFF.	4.0	2	80	1.7	2.2

See pages 8 -14 for Max. operating limits and operating curves



SSI-LXH600 SERIES T-5mm PANEL MOUNT LED INDICATORS

- | | | |
|---|--|---|
| FEATURES
• Easy P.C. Installation
• Attractive Bezels
• Choice of Colors, Current
• Blinking Type Option | APPLICATIONS
• Fault Indicator
• Back Lighting Indicator
• Instrument Panels | MATERIAL SPECIFICATIONS
• Holder: Black Nylon
• Termination: 6" 24 AWG
• Leads
• Installation: 1/4" Panel Hole |
|---|--|---|

LUMEX PART NBR	EMITTED COLOR		OPERATING CURRENT (mA)	OPERATING TYP Volts (V)	BRIGHTNESS		LED SERIES USED
	PEAK(nm)				TYP (mCD) @	mA	
SSI-LXH600ID-150	RED	635	10-25	2.1	15	20	SSL-LX509F3XX
SSI-LXH600SRD-150	RED	660	10-25	1.7	70	20	SSL-LX509F3XX
SSI-LXH600GD-150	GREEN	565	10-25	2.1	15	20	SSL-LX509F3XX
SSI-LXH600YD-150	YELLOW	585	10-25	2.1	15	20	SSL-LX509F3XX
BI-COLOR OPTION							
SSI-LXH600HGW-150	RED/GREEN	695/565	10-25	2.1	5/5	20	SSL-LX509F3XX
BLINKING OPTION							
SSI-LXH600BID-150	RED	635	10-20	3-15V	8	9V	SSL-LX509F3BXX

See pages 8-14 for Max. operating limits and operating curves

