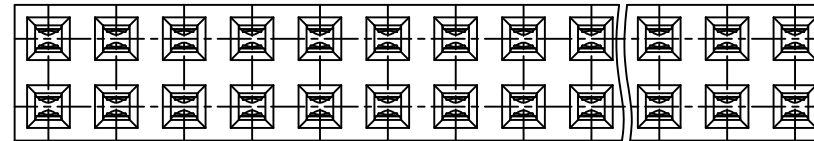


PRODUCT NUMBER

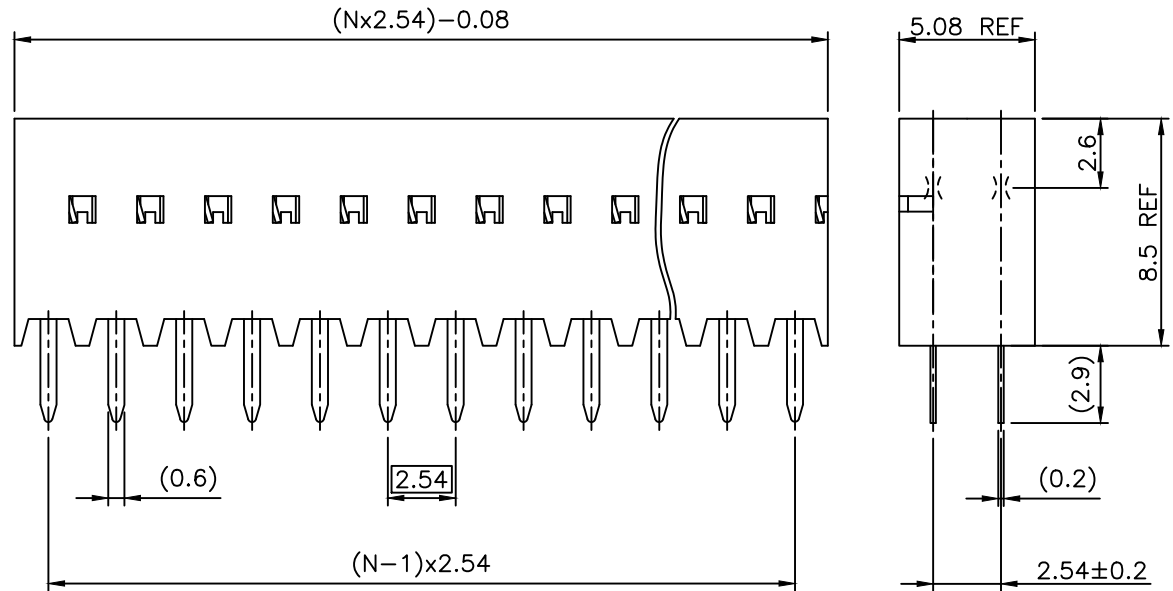
87606-YXXXLF

- RoHS COMPATIBLE, SEE NOTE 7
- OPTIONAL LETTER SEE NOTE 6
- NUMBER OF POSITIONS PER ROW: 02 TO 50.
- PLATING CODE
  - 3= 0.76µm GOLD ON CONTACT AREA.  
2µm MIN MATTE TIN ON TAIL.
  - 4= 2µm MIN MATTE TIN FULL PLATED
  - 8= 0.38µm GOLD ON CONTACT AREA.  
2µm MIN MATTE TIN ON TAIL.
  - 1.27µm Ni MIN UNDERPLATING



NOTES:

- 1 - HOUSING MAT'L: THERMOPLASTIC GLASS FILLED FLAME RETARDANT PER UL 94 V-0 COLOR: BLUE.
- 2 - TERMINAL MATERIAL: PHOSPHOR BRONZE.
- 3 - 2 UP TO 4 POSITIONS PRODUCT PACKED IN PLASTIC BOX. 5 UP TO 50 POSITIONS PRODUCT PACKED IN TUBE.
- 4 - TO DETERMINE DIMENSIONS:  
N = NUMBER OF POSITIONS PER ROW  
EXAMPLE: 8 POS: (N x 2.54) - 0.08 = 20.24 mm
- 5 - HE13 PRINTING ON 87606-3XX PRODUCT.
- 6 - A LETTER "H" AT THE END OF THE PART NUMBER TO INDICATE A HIGH TEMP. PRODUCT HOUSING MAT'L: THERMOPLASTIC GLASS FILLED FLAME RETARDANT PER UL 94 V-0 COLOR: GREY.
- 7 - RoHS COMPATIBLE PRODUCT SPECIFICATIONS
  - a - PLATING:
    - "LF" MEANS THE PRODUCT IS LEAD-FREE, 2µm MINIMUM MATTE TIN OVER 1.27µm MINIMUM NICKEL UNDERPLATE.
  - b - MANUFACTURING PROCESS COMPATIBILITY
    - THE HOUSING WILL WITHSTAND EXPOSURE TO 260°C ±5°C SOLDER BATH TEMPERATURE FOR 5 SECONDS IN A WAVE SOLDER APPLICATION WITH A 1.6mm MIN THICK CIRCUIT BOARD.
  - c - LABELING:
    - MEETS PACKAGING SPECS AS PER GS-14-920
  - d - LEGAL STATEMENT: SEE GS-47-0004
- 8 - PRINTING & HOLE PATTERN SEE NEXT SHEET.



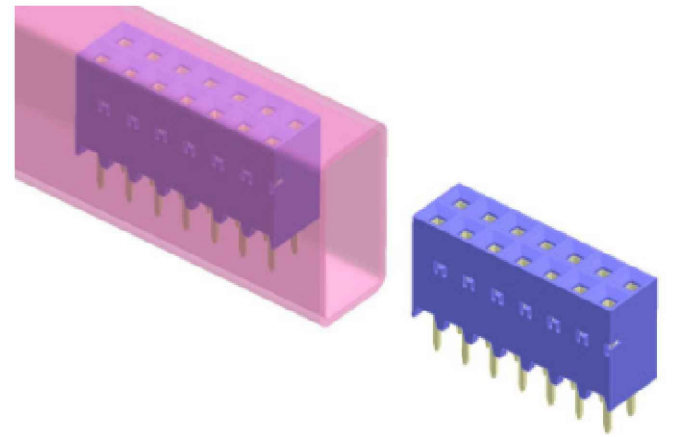
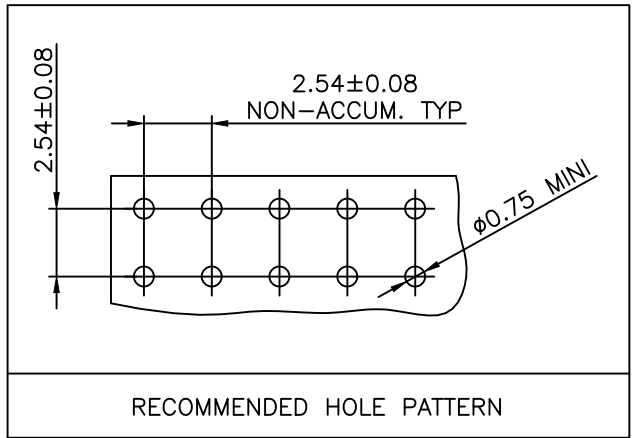
mat'l. code		surface		tolerance		projection		product family	
SEE NOTE 1		ISO 1302 ✓		ISO 406 ISO 1101				DUBOX	
ltr	ecn no	dr	date	tolerances unless otherwise specified		mm		title	
K	F04-0347	DLE	04.09.23	linear ±0.3		← mm		BtB RECEPT.	
L	F05-0230	DLE	05.08.08	angles		scale 5:1		VERT DR TMT	
M	F06-0204	DLE	06.06.21	±2'				dwg no	
N	F07-0109	DLE	07.01.16	dr	D LEGRAND	04.09.23	sheet 1 of 2		size
P	B-19123	LMU	14.10.21	engr	P NIZZI	04.09.23	87606		A3
R	F-41544	DDE	21.07.12	chr	D LE	04.09.23	type		Drawing
				appd	P NZ	04.09.23	CUSTOMER		
sheet	revision	R	E						
index	sheet	1	2						



Copyright FCI

PACKAGING :

PART NUMBER	POSITIONS	PARTS PER TUBE	TUBES PER BOX	TUBE DIMENSIONS	BOX DIMENSIONS
87606-Y05LF	2x05	46	13	7.2x14.2x610	640x105x35
87606-Y06LF	2x06	38	13	7.2x14.2x610	640x105x35
87606-Y07LF	2x07	33	13	7.2x14.2x610	640x105x35
87606-Y08LF	2x08	29	13	7.2x14.2x610	640x105x35
87606-Y09LF	2x09	25	13	7.2x14.2x610	640x105x35
87606-Y10LF	2x10	23	13	7.2x14.2x610	640x105x35
87606-Y11LF	2x11	21	13	7.2x14.2x610	640x105x35
87606-Y12LF	2x12	19	13	7.2x14.2x610	640x105x35
87606-Y13LF	2x13	17	13	7.2x14.2x610	640x105x35
87606-Y14LF	2x14	16	13	7.2x14.2x610	640x105x35
87606-Y15LF	2x15	15	13	7.2x14.2x610	640x105x35
87606-Y16LF	2x16	14	13	7.2x14.2x610	640x105x35
87606-Y17LF	2x17	13	13	7.2x14.2x610	640x105x35
87606-Y18LF/19LF	2x18 2x19	12	13	7.2x14.2x610	640x105x35
87606-Y20LF/21LF	2x20 2x21	11	13	7.2x14.2x610	640x105x35
87606-Y22LF/23LF	2x22 2x23	10	13	7.2x14.2x610	640x105x35
87606-Y24LF/25LF	2x24 2x25	9	13	7.2x14.2x610	640x105x35
87606-Y26LF to 29LF	2x26 to 2x29	8	13	7.2x14.2x610	640x105x35
87606-Y30LF to 33LF	2x30 to 2x33	7	13	7.2x14.2x610	640x105x35
87606-Y34LF to 38LF	2x34 to 2x38	6	13	7.2x14.2x610	640x105x35
87606-Y39LF to 46LF	2x39 to 2x46	5	13	7.2x14.2x610	640x105x35
87606-Y47LF to 50LF	2x47 to 2x50	4	13	7.2x14.2x610	640x105x35



mat'l. code		surface		tolerance		projection		product family	
SEE SHEET 1		ISO 1302 ✓		ISO 406 ISO 1101				DUBOX	
ltr	ecn no	dr	date	tolerances unless otherwise specified		mm		title	
A	F04-0347	DLE	04.09.23	±0.3				BtB RECEPT. VERT DR TMT	
B	F05-0230	DLE	05.08.08	angles	linear			dwg no	
C	F06-204	DLE	06.06.21	±2'				sheet 2 of 2	
D	F07-0109	DLE	07.01.16	dr	D LEGRAND	04.09.23		size	
E	F-41544	DDE	21.07.12	enrg	P NIZZI	04.09.23		A3	
				chr	D LE	04.09.23		type	
				appd	P NZ	04.09.23		CUSTOMER Drawing	
sheet index	revision sheet								