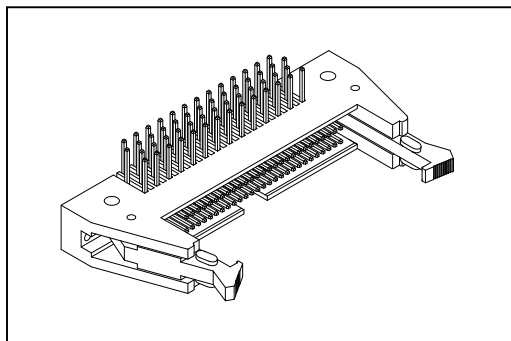


3213 Series

Box Header With Ejectors

1.27mmX2.54mm(0.050"X0.100")



Material:

Housing: Thermoplastic Polyester Glass Filled UL94V-0.
Contacts: Copper Alloy.

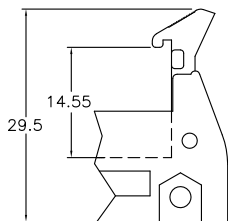
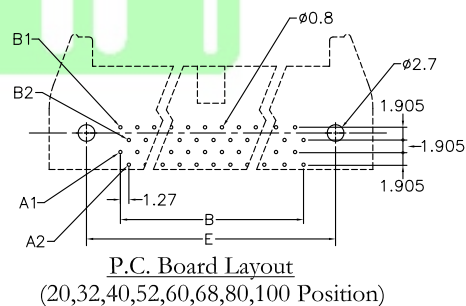
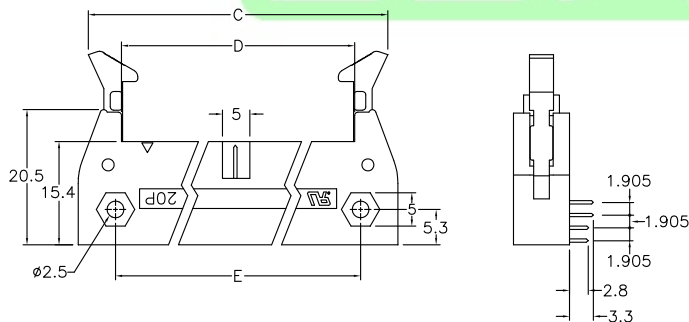
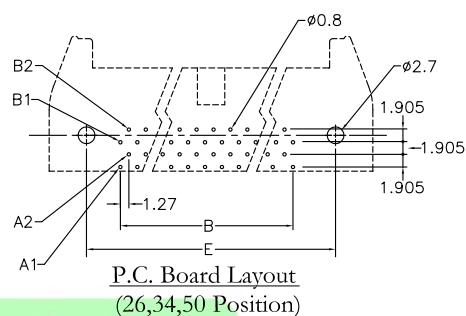
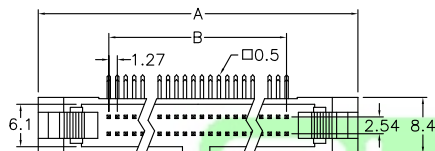
Electrical Characteristics:

Current Rating: 1 A.
Dielectric Withstanding Voltage: AC 500V.
Insulator Resistance: 1000MΩ min.
Contact Resistance: 20mΩ max.
Operating Temperature: -55°C~+105°C.

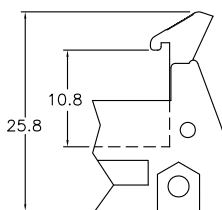
Features:

- * Right Angle Type.
- * Optional eject lever.
- * Choice of black or grey insulator.
- * 4 row 1.27mm(0.05") zigzag PCB Layout.
- * Additional plating options available.

Mates with: 1202,1203



Long Lever



Short Lever

Position	Dimension				
	A	B	C	D	E
20	32.36	11.43	29.35	18.75	21.59
26	36.18	15.24	33.16	22.56	25.40
32	39.98	19.05	36.97	26.37	29.21
34	41.25	20.32	38.24	27.64	30.48
40	45.06	24.13	42.05	31.45	34.29
50	51.41	30.48	48.40	37.80	40.64
52	52.68	31.75	49.67	39.07	41.91
60	57.76	36.83	54.75	44.15	46.99
68	62.84	41.91	59.83	49.23	52.07
80	70.46	49.53	67.45	56.85	59.69
100	83.16	62.23	80.25	69.55	72.39

Ordering information

3213- 100 C 00 R B 1 A
 Series No. of Pin Count C: Selective Gold Plated 00: G/F R: Right Angle B: Black *Y: Grey 1: With Long Ejector 2: With Short Ejector 3: Without Ejector A: Tray Package

* Standard color black and maybe subject to minimum quantity request for color grey.

Information including designs, specifications and components may be changed or updated without notice.