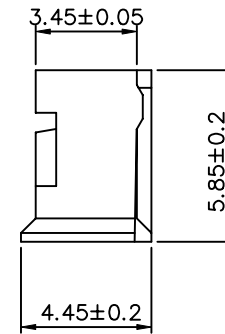
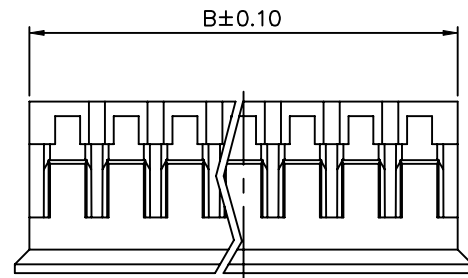
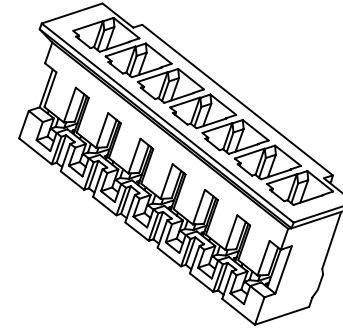
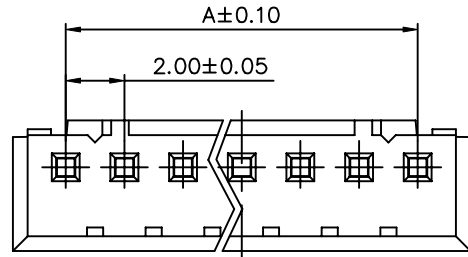


**SPECIFICATIONS**

Current Rating: 1A AC,DC  
 Voltage Rating: 100V AC,DC  
 Temperature Range: -25°C ~ +85°C  
 Contact Resistance: 20 Milliohms Max.  
 Insulation Resistance: 1000 Megohms Min.  
 Withstanding Voltage: 800V AC/Minute  
 Material: Nylon 66,UL 94V-0  
 RoHS Compliant



Circuits	Dim.A	Dim.B
2	2.00	4.60
3	4.00	6.60
4	6.00	8.60
5	8.00	10.60
6	10.00	12.60
7	12.00	14.60
8	14.00	16.60
9	16.00	18.60
10	18.00	20.60
11	20.00	22.60
12	22.00	24.60
13	24.00	26.20
14	26.00	28.60
15	28.00	30.60
16	30.00	32.60

**AUK** A MEMBER OF AUK GROUP  
**太聯事業股份有限公司**  
**AUK CONTRACTORS CO., LTD.**

CATEGORY		APPROVED BY		UNLESS OTHERWISE SPECIFIED TOLERANCES ARE .X ±0.38 .XX ±0.25 ANG.				
PART No. ILSXXH-H		MEI						
DRAWING No. ILSXXH-H		CHECKED BY BECKY						
SCALE NONE		DRAWING BY TCF		UNIT mm	△ A0	NEW RELEASE	BECKY	2004/10/07
REV.	A0	NO.	REV.	REVISIONS	CHK	DATE		