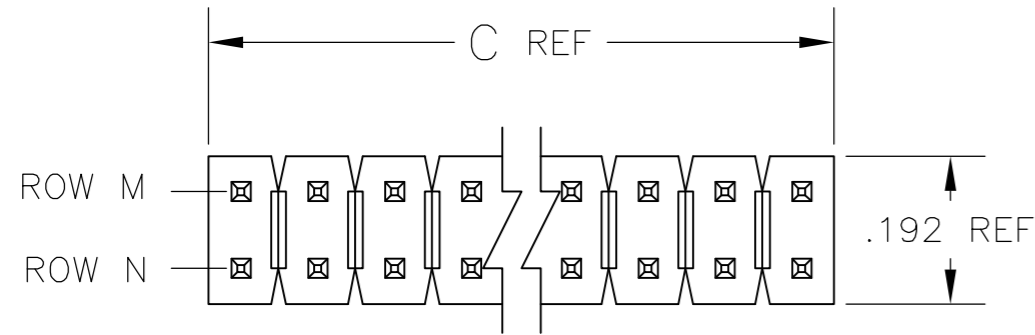
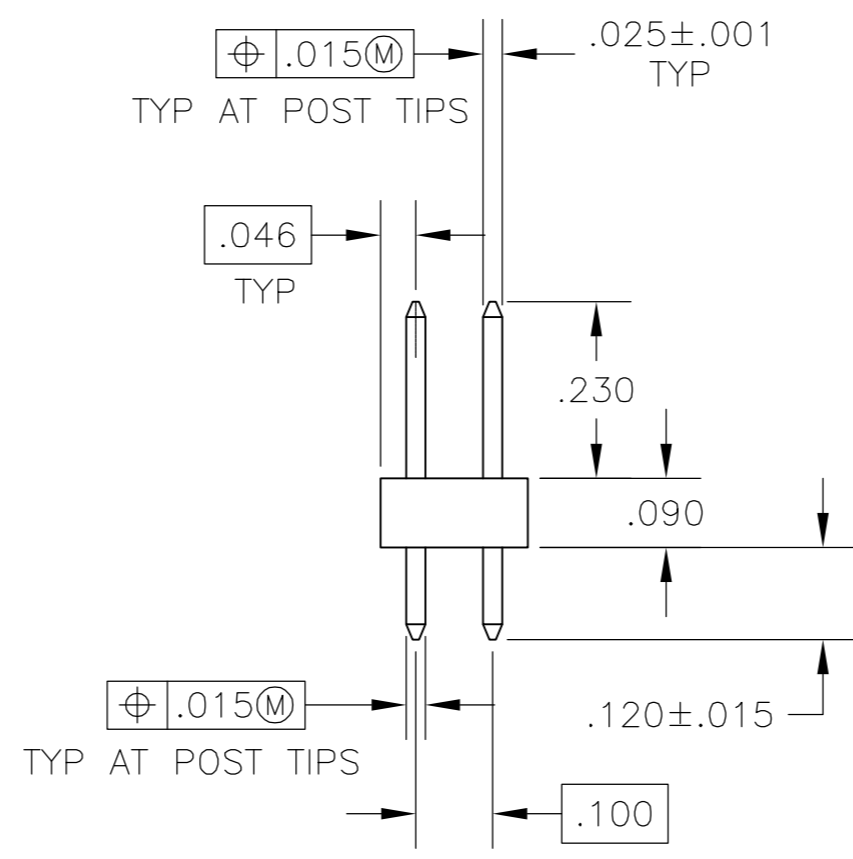
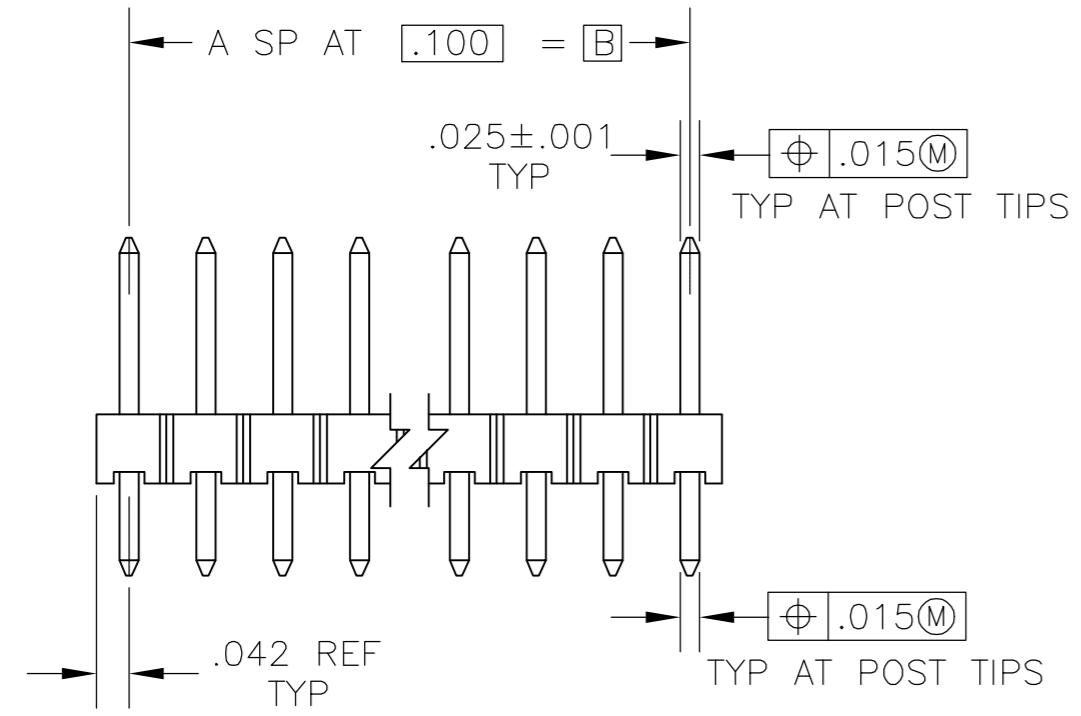


THIS DRAWING IS UNPUBLISHED. RELEASED FOR PUBLICATION  
 © COPYRIGHT BY TYCO ELECTRONICS CORPORATION. ALL RIGHTS RESERVED.

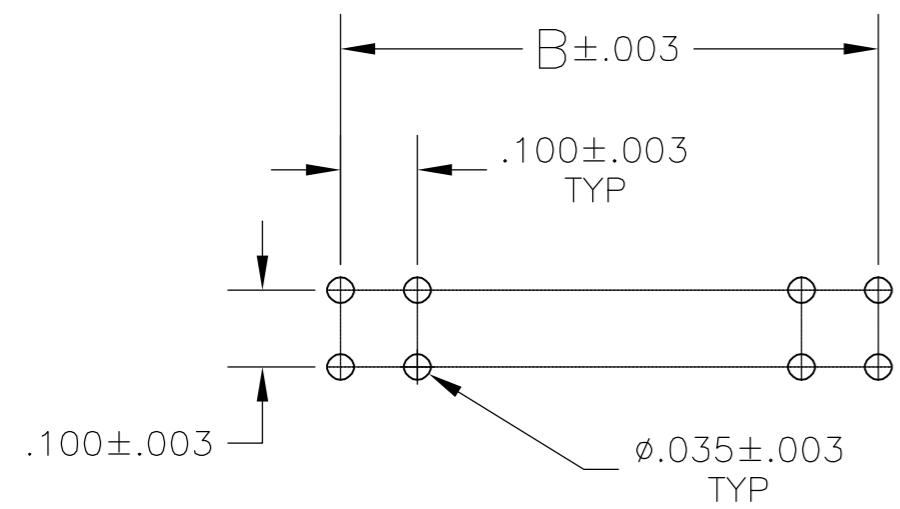
LOC	DIST	REVISIONS					
AD	00	P	LTR	DESCRIPTION	DATE	DWN	APVD
		R		EC 0G3C 0169 05	22APR05	BSV	JLG



POST NO REF  
(SEE TABLE)



1. TRUE POSITION TOLERANCE OF THE POST TIPS APPLIES WHEN THE HEADERS ARE HELD FLAT AGAINST THE PRINTED CIRCUIT BOARD
2. ASSEMBLY MAY BE BROKEN TO THE DESIRED NUMBER OF POSITIONS
3. PRELIMINARY PART - NOT RELEASED FOR PRODUCTION.
4. HOUSING: FLAME RETARDANT THERMOPLASTIC, COLOR-BALCK. POSTS: PHOSPHOR BRONZE.
5. .000100-.000200 MATTE TIN-LEAD OVER .000050 NICKEL.
6. .000100-.000200 MATTE TIN OVER .000050 NICKEL.
7. HIGH TEMPERATURE CONFIGURATION.



RECOMMENDED HOLE LAYOUT

	7	6	NONE	2	.484	.400	4	9	10	5-146000-7
	7	6	NONE	13	1.284	1.200	12	25	26	5-146000-4
	7	6	NONE	5	.484	.400	4	9	10	5-146000-1
3		5	NONE	3	.684	.600	6	13	14	1-146000-0
3		5	1	NONE	.184	.100	1	3	4	146000-9
3		5	NONE	6	1.184	1.100	11	23	24	146000-8
		5	NONE	2	.484	.400	4	9	10	146000-7
3		5	NONE	3	.284	.200	2	5	6	146000-6
OBSOLETE		5	3	NONE	1.684	1.600	16	33	34	146000-5
		5	NONE	13	1.284	1.200	12	25	26	146000-4
OBSOLETE		5	NONE	10	.984	.900	9	19	20	146000-3
OBSOLETE		5	NONE	6	.584	.500	5	11	12	146000-2
		5	NONE	5	.484	.400	4	9	10	146000-1
REMARKS	PLATING	ROW N	ROW M	POST NUMBER OMITTED	C	B	A	NO OF ACTIVE POS	NO OF POS	ASSEMBLY PART NUMBER

THIS DRAWING IS A CONTROLLED DOCUMENT. DWN J.MARTINELLI 27JUL00  
 CHK JOHN KNITTLE  
 APVD -  
 PRODUCT SPEC -  
 APPLICATION SPEC -  
 WEIGHT -  
 CUSTOMER DRAWING

**tyco Electronics** Tyco Electronics Corporation  
 Harrisburg, Pa 17105-3608

ASSEMBLY, HEADER, BREAKAWAY, MOD II,  
 DOUBLE ROW, .100 X .100 C/L, VERTICAL,  
 WITH .025 SQUARE POSTS

SIZE A2 CAGE CODE 00779 DRAWING NO C=146000 RESTRICTED TO -  
 SCALE 4:1 SHEET 1 OF 1 REV R