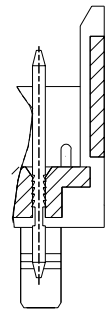
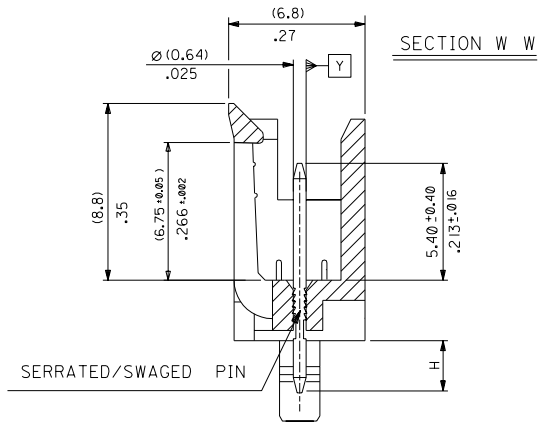
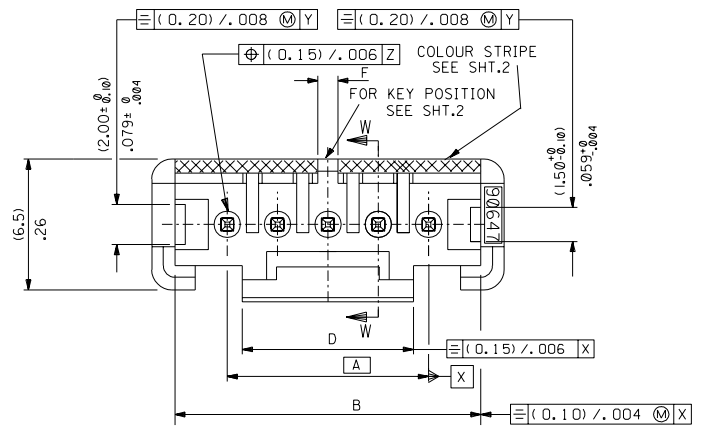
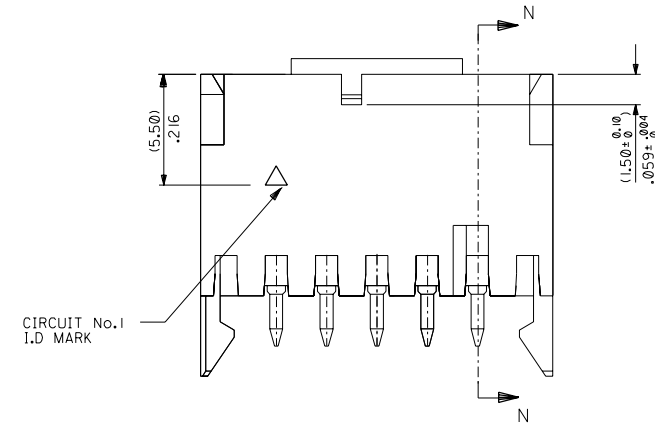
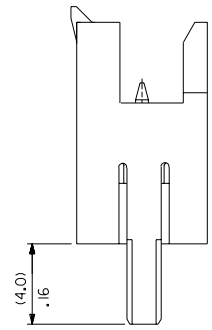
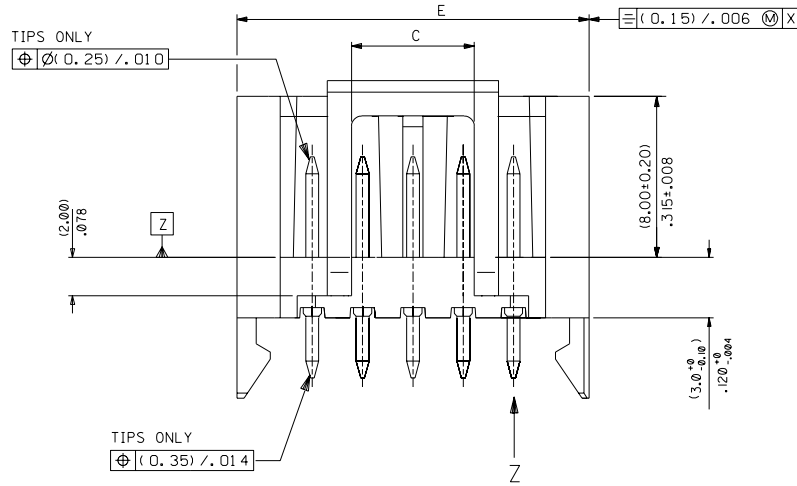


PART NO. SEE CHART
 DWG. NO. SDA-90647



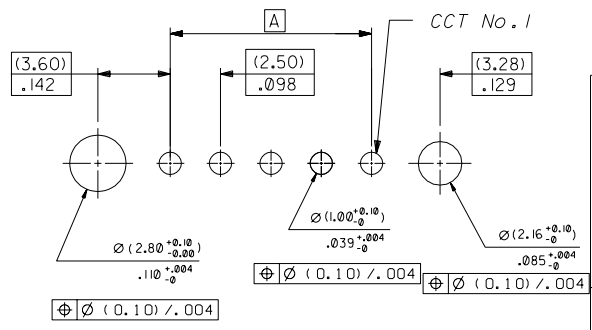
SECTION N-N
 SKIP FEATURE AND KEYING
 IN SAME CIRCUIT.
 2,3 & 4 CKT. ONLY.



NOTES :

- MATERIAL;
 HOUSING: POLYESTER, UL 94V-0, G.E VALOX 310-SE0.
 PINS: BRASS,
 PLATING: (3um)/.118uin MIN. TIN
 TO 95/5 OVER (2um)/.078uin MIN. COPPER OR NICKEL.
- FOR ALL UNSTATED DIMENSIONS, COLOUR I.D AND
 KEYING POSITIONS SEE SHEET 2.

RECOMMENDED P.C.B. HOLE LAYOUT
 PCB LAYOUT : COMPONENT SIDE
 PCB THICKNESS 1.50 TO 1.60.



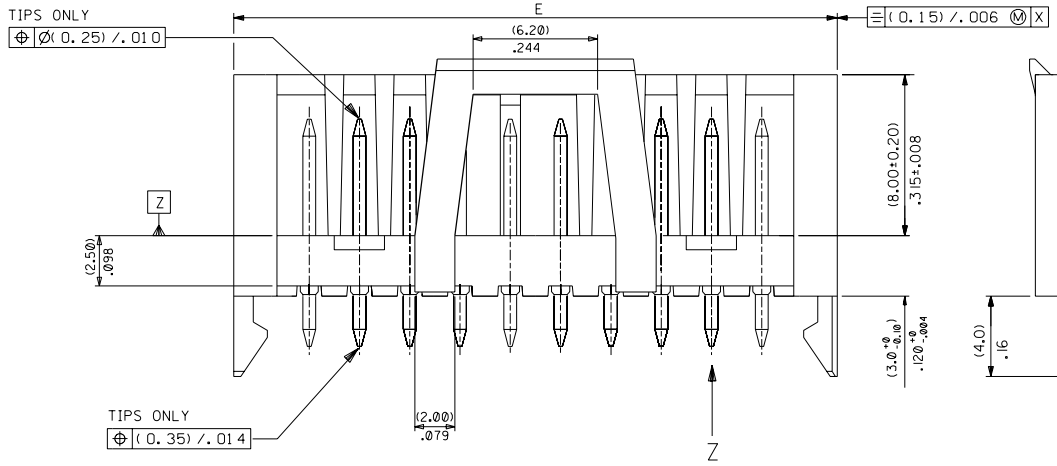
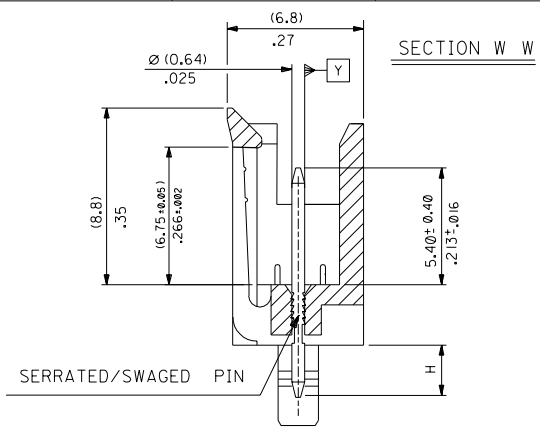
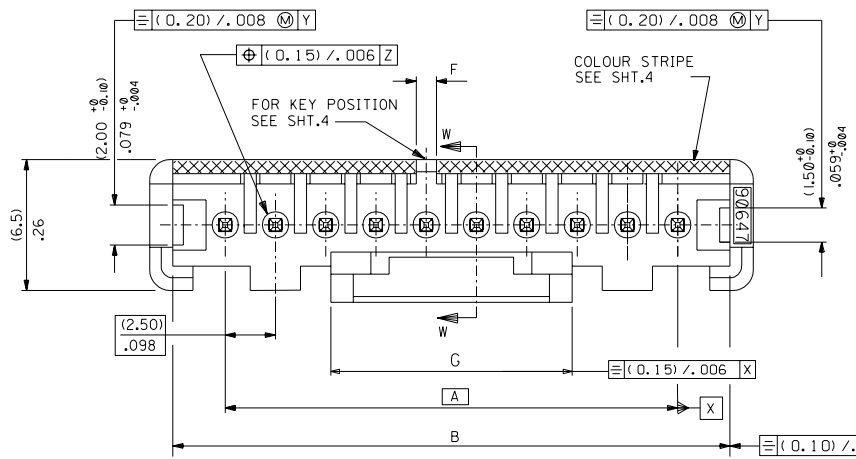
MODIFIED DIMS
 EC NO. E2004-1124
 DRAWN BY: RYANES 280504
 CHK: BMAGUIRE 0406/10
 APPR: BMAGUIRE 0406/10

REV	DESCRIPTION
L	

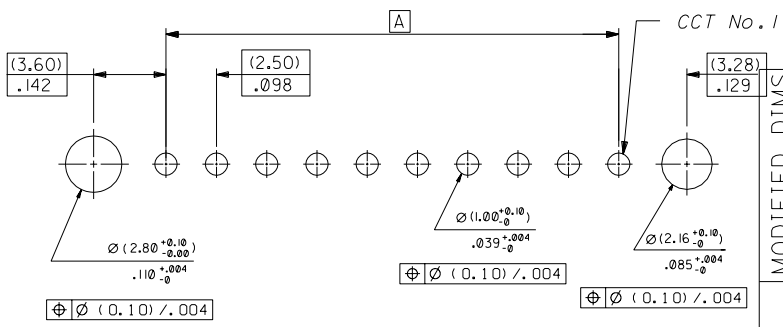
QUALITY SYMBOLS	MAJOR	CRITICAL
GENERAL TOLERANCES: (UNLESS SPECIFIED)	mm	INCH
4 PLACES ±0.	±.	
3 PLACES ±0.	±.006	
2 PLACES ±0.15	±.008	
1 PLACE ±0.25	±.	
ANGULAR: #/2 °		
DRAFT WHERE APPLICABLE MUST REMAIN WITHIN DIMENSIONS		

SCALE 4:1	DESIGN UNITS <input type="checkbox"/> mm <input type="checkbox"/> INCH	THIRD ANGLE PROJECTION	DIMENSIONS: <input checked="" type="checkbox"/> mm <input type="checkbox"/> INCH <input type="checkbox"/> mm <input type="checkbox"/> ONLY	SHT 4	REV L
DRAWN BY & DATE POB 13/10/90	CHECKED BY & DATE BM 13/10/90	APPROVED BY & DATE MW 13/10/90	CAD FILENAME S90647X1.DGN	MATERIAL NO. SEE CHART	DRAWING NO. SDA-90647
TITLE: 2.5mm Uf Hdr W+B Vt Ltc (2-5Ckt only)			MOLEX INCORPORATED		
THIS DRAWING CONTAINS INFORMATION THAT IS PROPRIETARY TO MOLEX INCORPORATED AND SHOULD NOT BE USED WITHOUT WRITTEN PERMISSION.				SHEET NO. 10F 4	SIZE B

PART NO. SEE CHART
 DWG. NO. SDA-90647E



RECOMMENDED P.C.B. HOLE LAYOUT
 SEEN FROM SOLDER SIDE OF P.C.B.
 PCB THICKNESS 1.50 TO 1.60.



NOTES :

- MATERIALS;
 HOUSING: 15% GF NATURAL(WHITE) POLYESTER, RATED UL 94V-0
 PINS: BRASS.
 PLATING: (3um)/.118uin MIN. TIN
 TO 95/5 OVER (2um)/.078uin MIN. COPPER OR NICKEL.
- FOR ALL UNSTATED DIMENSIONS, COLOUR I.D AND
 KEYING POSITIONS SEE SHEET 4.

REV	DESCRIPTION	QUALITY SYMBOLS	GENERAL TOLERANCES: (UNLESS SPECIFIED)		SCALE 4:1	DESIGN UNITS <input type="checkbox"/> mm <input type="checkbox"/> INCH	THIRD ANGLE PROJECTION	DIMENSIONS:				SHT	REV
			mm	INCH				<input checked="" type="checkbox"/> mm <input type="checkbox"/> INCH	<input type="checkbox"/> mm <input type="checkbox"/> ONLY	BEVISE ON CAD ONLY			
4 PLACES	±0.	±.	DRAWN BY & DATE DOS 940518		TITLE: 2.5mm UF Hdr W+B Vt Ltc (6-20Ckt only)								
3 PLACES	±0.	±.006	CHECKED BY & DATE BM 940518										
2 PLACES	±0.15	±.008	APPROVED BY & DATE MW 940518		MOLEX INCORPORATED				SHEET NO. 30F4				
1 PLACE	±0.25	±.	CAD FILENAME S90647X3.DGN		MATERIAL NO. SEE CHART		DRAWING NO. SDA-90647						
DRAFT WHERE APPLICABLE MUST REMAIN WITHIN DIMENSIONS			THIS DRAWING CONTAINS INFORMATION THAT IS PROPRIETARY TO MOLEX INCORPORATED AND SHOULD NOT BE USED WITHOUT WRITTEN PERMISSION.										SIZE B

PART NO. SEE CHART
 DWG. NO. SDA-90647

CCT SIZE	ENG. NUMBER	A	B ±(0.25) ±.010	E (±0.25) ±.010	KEY		COLOUR I.D	G ±(0.20) ±.008	VOID POS'N CCT NO.	
					POSN. CCT. No.	F ±(0.10) ±.004				
6	90647-006	(12.5)	(17.7)	(20.0)	2	(1.00)	NATURAL	(12.0)	4	
	▲ --106				3		RED			
	--206				4		GREEN			
	--306				5		BLUE			
	--406				NONE		PURPLE			
7	--007	(15.0)	(20.2)	(22.5)	2	(1.00)	NATURAL	(14.5)		
	--107				3		RED			
	--207				4		GREEN			
	--307				5		BLUE			
	--407				NONE		PURPLE			
8	--008	(17.5)	(22.7)	(25.0)	3	(1.00)	NATURAL	(12.0)		
	--108				4		RED			
	--208				5		GREEN			
	--308				6		BLUE			
	--408				NONE		PURPLE			
9	--009	(20.0)	(25.2)	(27.5)	3	(1.00)	NATURAL	(14.5)		
	--109				4		RED			
	--209				5		GREEN			
	--309				6		BLUE			
	--409				NONE		PURPLE			
10	--8010	(22.5)	(27.7)	(30.0)	4	(1.00)	NATURAL	(12.0)	389	
	--8110				4		NATURAL			288
	--010				4		NATURAL			
	--110				5		RED			
	--210				6		GREEN			
--410	NONE	PURPLE								
11	--011	(25.0)	(30.2)	(32.5)	4	(1.00)	NATURAL	(14.5)		
	--111				5		RED			
	--211				6		GREEN			
	--411				NONE		PURPLE			
	12				--012		(27.5)			(32.7)
--112		6	RED							
--212		7	GREEN							
90647-412		NONE	PURPLE							

CCT SIZE	ENG. NUMBER	A	B ±(0.25) ±.010	E (±0.25) ±.010	KEY		COLOUR I.D	G ±(0.20) ±.008
					POSN. CCT. No.	F ±(0.10) ±.004		
13	90647-013	(30.0)	(35.2)	(37.5)	5	(1.00)	NATURAL	(14.5)
	▲ --113				6		RED	
	--213				7		GREEN	
	--413				NONE		PURPLE	
14	--014	(32.5)	(37.7)	(40.0)	6	(1.00)	NATURAL	(12.0)
	--114				7		RED	
	--414				NONE		PURPLE	
15	--015	(35.00)	(40.2)	(42.5)	6	(1.00)	NATURAL	(14.5)
	--415				NONE		PURPLE	
	16				--016		(37.5)	
--416		NONE	PURPLE					
17		--017	(40.0)	(45.2)	(47.5)	7		(1.00)
	--417	NONE				PURPLE		
18	--018	(42.5)	(47.7)	(50.0)	8	(1.00)	NATURAL	(12.0)
	--418				NONE		PURPLE	
	19				--019		(45.0)	
--419		NONE	PURPLE					
20		--020	(47.5)	(52.7)	(55.0)	9		(1.00)
	90647-420	NONE				PURPLE		

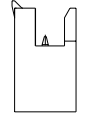
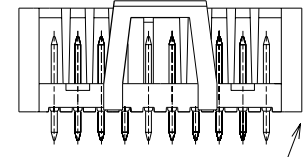
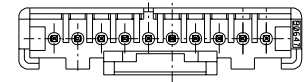
90647 - ***

ASSEMBLY WITH SNAP-IN = 1

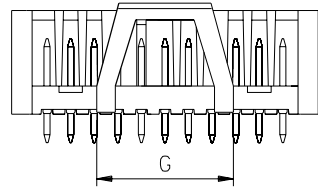
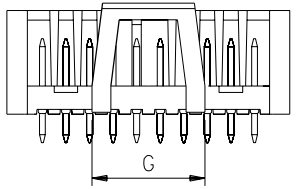
ASSEMBLY WITHOUT SNAP-IN = 3

ASSEMBLY WITH SNAP-IN AND VOID OPTIONS = 8

ENG. NUMBER	H ±(0.1) ±.006
90647-1***	(2.50) .099
90647-3***	(2.50) .099
90647-8***	(2.50) .099



ASSEMBLY WITHOUT SNAP-IN PEGS



CIRCUITS SIZES 6,8,10,12,14,16,18,20 CIRCUITS SIZES 7,9,11,13,15,17,19

MODIFIED DIMS
 EC NO. E2004-1124
 DRAWN BY RYNES 18/05/04
 CHK: BMAGUIRE 30/05/04
 APPR: BMAGUIRE 30/05/04

QUALITY SYMBOLS
 MAJOR
 CRITICAL

GENERAL TOLERANCES:
 (UNLESS SPECIFIED)

	mm	INCH
4 PLACES	±0.	±.
3 PLACES	±0.	±. --
2 PLACES	±0. --	±. --
1 PLACE	±0. --	±.

ANGULAR: ±1/2 °

DRAFT WHERE APPLICABLE MUST REMAIN WITHIN DIMENSIONS

SCALE :
 DESIGN UNITS
 mm INCH

DRAWN BY & DATE
 DOS 94/05/18

CHECKED BY & DATE
 BMAGUIRE 94/05/18

APPROVED BY & DATE
 MWILHITE 94/05/18

CAD FILENAME
 S90647X4.DGN

THIRD ANGLE PROJECTION

TITLE:
 2.5mm UF Hdr Wtb
 vt Ltc (6-20Ckt only)

MATERIAL NO.
 SEE CHART

DIMENSIONS:
 mm INCH mm ONLY

SHT REV
 REVISE ON CAD ONLY

MOLEX INCORPORATED

DRAWING NO.
 SDA-90647

SHEET NO.
 4 OF 4

THIS DRAWING CONTAINS INFORMATION THAT IS PROPRIETARY TO MOLEX INCORPORATED AND SHOULD NOT BE USED WITHOUT WRITTEN PERMISSION.