

Ribbon Cable Connector System (AMP-LATCH) (Continued)

Low Profile Headers — Shrouded, High Temp. Housings, with .150 [3.81] End Dimension

(Continued)

Double Row .100 x .100 [2.54 x 2.54] Centers

Material and Finish

Housing — Thermoplastic, UL 94V-0 rated, flame retardant, high temperature compatible, grey

Contacts — Copper alloy, duplex plated

Duplex¹ — .000015 [0.00038] gold on contact area, .000100-.000200 [0.00254-0.00508] tin-lead on solder area, with entire post underplated .000050 [0.00127] nickel

Duplex² — .000030 [0.00076] gold on contact area, .000100-.000200 [0.00254-0.00508] tin-lead on solder area, with entire post underplated .000050 [0.00127] nickel

Related Product Data

Mateable Receptacles — Catalog 82012 for Novo Receptacles

Catalog 82007 for Flat Flexible Film Connectors

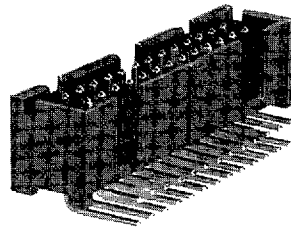
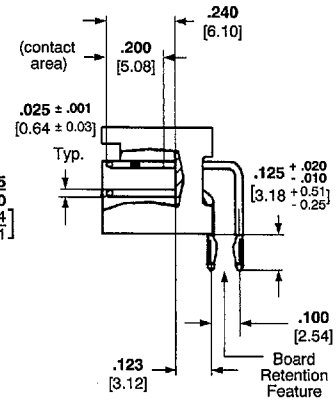
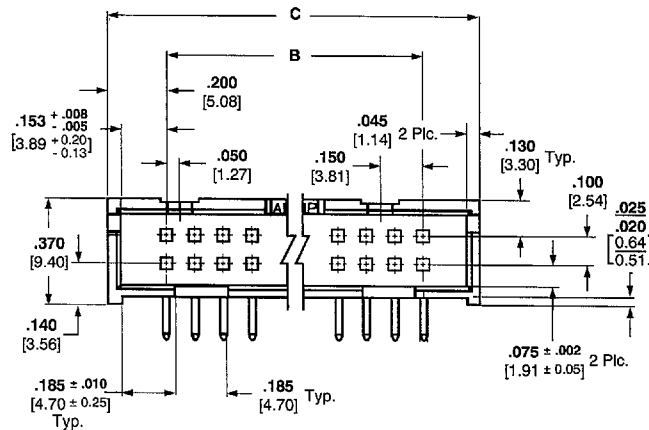
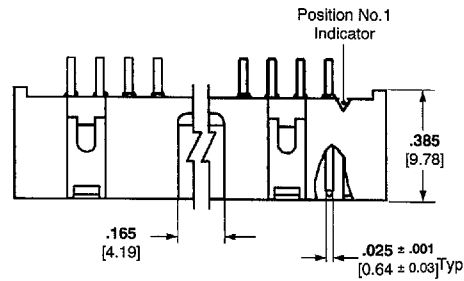
Catalog 65816 for AMPMODU Wire-Applied Receptacles

Catalog 82104 for AMPMODU MT Connectors with Ejection Covers

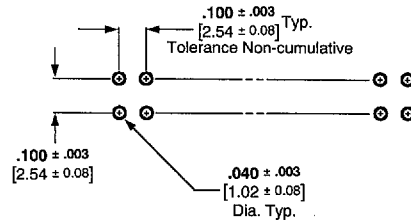
Accessories

Snap-In Polarizer — Catalog 82012

Performance Characteristics — page 216



.025 [0.64] Square Right-Angle Post (with Board Retention Feature)



Recommended Hole Layout For Manual Insertion

No. of Pos.	Dimensions		Contact Plating	Part No.	Packaging Quantities*	
	B	C			Qty./Tube	Qty./Box
10	.400 10.16	.800 20.32	Duplex ¹	104340-1	125	875
			Duplex ²	104341-1		
14	.600 15.24	1.000 25.40	Duplex ¹	104340-2	100	700
			Duplex ²	104341-2		
16	.700 17.78	1.100 27.94	Duplex ¹	104340-3	90	630
			Duplex ²	104341-3		
20	.900 22.86	1.300 33.02	Duplex ¹	104340-4	75	525
			Duplex ²	104341-4		
24	1.100 27.94	1.400 35.56	Duplex ¹	104340-5	65	455
			Duplex ²	104341-5		
26	1.200 30.48	1.600 40.64	Duplex ¹	104340-6	60	420
			Duplex ²	104341-6		
34	1.600 40.64	2.000 50.80	Duplex ¹	104340-7	50	350
			Duplex ²	104341-7		
40	1.900 48.26	2.300 58.42	Duplex ¹	104340-8	40	280
			Duplex ²	104341-8		
50	2.400 60.96	2.800 71.12	Duplex ¹	104340-9	35	245
			Duplex ²	104341-9		
60	2.900 73.66	3.300 83.82	Duplex ¹	1-104340-0	30	210
			Duplex ²	1-104341-0		

*Product packaged in multi-track tubes with 7 multi-track tubes per shipping box. Standard package.

Through-Hole Board-to-Board Connectors