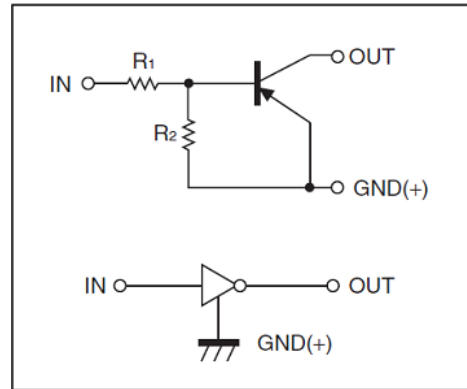


Small Signal Product

**PNP Small Signal Transistor**

FEATURES

- Built-in bias resistors enable the configuration of an inverter circuit without connecting external input resistor (see equivalent circuit).
- The bias resistors consist of thin-film resistors with complete isolation to allow negative biasing of the input. They also have the advantage of almost completely eliminating parasitic effects.
- Only the on/off conditions need to be set for operation, marking device design easy.
- Packing code with suffix "G" means green compound (halogen-free)



Equivalent Circuit

MAXIMUM RATINGS AND ELECTRICAL CHARACTERISTICS (T <sub>A</sub> =25°C unless otherwise noted)				
PARAMETER	SYMBOL	VALUE		UNIT
		EM	ESA	
Power Dissipation	P <sub>D</sub>	100	300	mW
Supply Voltage	V <sub>CC</sub>	-50		V
Input Voltage	V <sub>IN</sub>	-40 ~ +10		V
Output Current	I <sub>O</sub>	-30		mA
Junction and Storage Temperature Range	T <sub>J</sub> , T <sub>STG</sub>	-55 to + 150		°C

PARAMETER	SYMBOL	MIN	TYP	MAX	CONDITION	UNIT
Input Voltage	V <sub>I(off)</sub>	-0.5			V <sub>CC</sub> = -5V, I <sub>O</sub> = -100μA	V
	V <sub>I(on)</sub>			-3	V <sub>O</sub> = -0.2V, I <sub>O</sub> = -5mA	
Output Voltage	V <sub>O(on)</sub>			-0.3	I <sub>O</sub> / I <sub>I</sub> = -10mA / -0.5mA	V
Input Current	I <sub>I</sub>			-0.36	V <sub>I</sub> =-5V	mA
Output Current	I <sub>O (off)</sub>			-0.5	V <sub>CC</sub> = -50V, V <sub>I</sub> =0	μA
DC Current Gain	G <sub>1</sub>	56			V <sub>O</sub> = -5V, I <sub>O</sub> = -5mA	
Input Resistance	R <sub>1</sub>	15.4	22	28.6		KΩ
Resistance Ratio	R <sub>2</sub> /R <sub>1</sub>	0.8	1	1.2		
Transition Frequency	f <sub>T</sub>		250		V <sub>O</sub> = -10V, I <sub>O</sub> = -5mA, f=100MHz	MHz

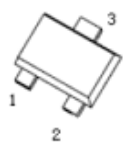

Small Signal Product

ORDERING INFORMATION				
PART NO.	PACKING CODE	PACKING CODE SUFFIX (*)	PACKAGE	PACKING
DTA124EM	RM	G	SOT-723	8K / 7" Reel
DTA124ESA	A3		TO-92S	3K / Box (Ammo)
	B3			10K / Box (Bulk)

\*: Optional available

EXAMPLE				
PREFERRED P/N	PART NO.	PACKING CODE	PACKING CODE SUFFIX	DESCRIPTION
DTA124EM RMG	DTA124EM	RM	G	Green compound

PIN CONNENCTIONS AND MARKING

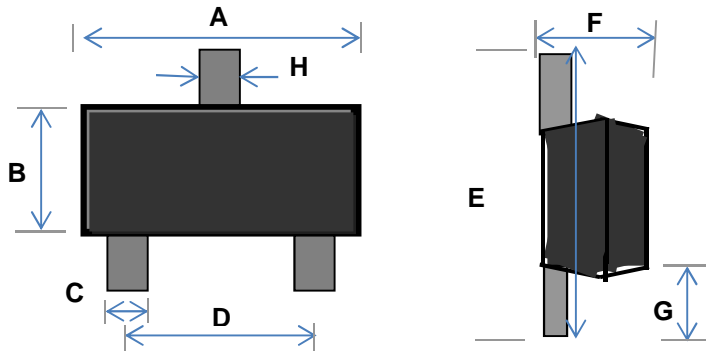
DTA124EM	SOT-723	DTA124ESA	TO-92S
 <p><b>MARKING:15</b></p>	<p>1. IN 2. GND 3. OUT</p>	 <p><b>MARKING:</b> A124 E041 <b>MARKING (HF):</b> A124 E-041</p>	<p>1. GND 2. OUT 3. IN</p>

Not Recommended

Small Signal Product

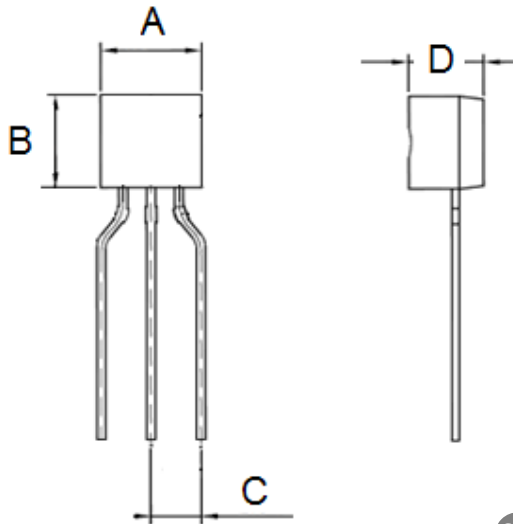
PACKAGE OUTLINE DIMENSION

**SOT-723**



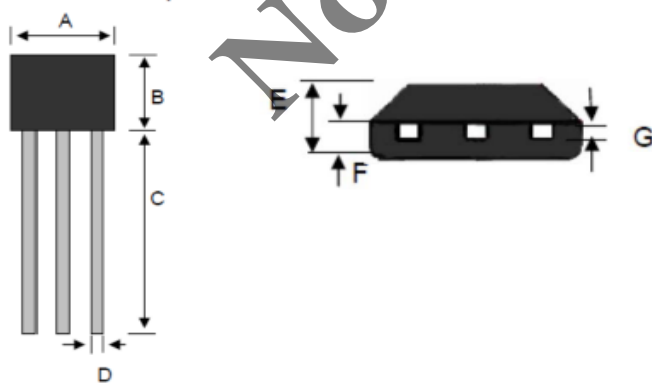
DIM.	Unit (mm)		Unit (inch)	
	Min	Max	Min	Max
A	1.15	1.25	0.045	0.049
B	0.75	0.85	0.030	0.033
C	0.15	0.27	0.006	0.011
D	0.80 TYP.		0.031 TYP.	
E	1.15	1.25	0.045	0.049
F	0.43	0.55	0.017	0.022
G	0.15	0.25	0.006	0.010
H	0.25	0.37	0.010	0.015

**TO-92S (Ammo)**



DIM.	Unit (mm)		Unit (inch)	
	Min	Max	Min	Max
A	3.90	4.10	0.154	0.161
B	3.05	3.25	0.120	0.128
C	2.20	2.80	0.087	0.110
D	1.42	1.62	0.056	0.064

**TO-92S (Bulk)**



DIM.	Unit (mm)		Unit (inch)	
	Min	Max	Min	Max
A	3.90	4.10	0.154	0.161
B	3.05	3.25	0.120	0.128
C	15.10	15.50	0.594	0.610
D	0.35	0.48	0.014	0.019
E	1.42	1.62	0.056	0.064
F	0.66	0.86	0.026	0.034
G	0.36	0.51	0.014	0.020

**Not Recommended**

#### Notice

Specifications of the products displayed herein are subject to change without notice. TSC or anyone on its behalf, assumes no responsibility or liability for any errors or inaccuracies.

Information contained herein is intended to provide a product description only. No license, express or implied, to any intellectual property rights is granted by this document. Except as provided in TSC's terms and conditions of sale for such products, TSC assumes no liability whatsoever, and disclaims any express or implied warranty, relating to sale and/or use of TSC products including liability or warranties relating to fitness for a particular purpose, merchantability, or infringement of any patent, copyright, or other intellectual property right.

The products shown herein are not designed for use in medical, life-saving, or life-sustaining applications. Customers using or selling these products for use in such applications do so at their own risk and agree to fully indemnify TSC for any damages resulting from such improper use or sale.