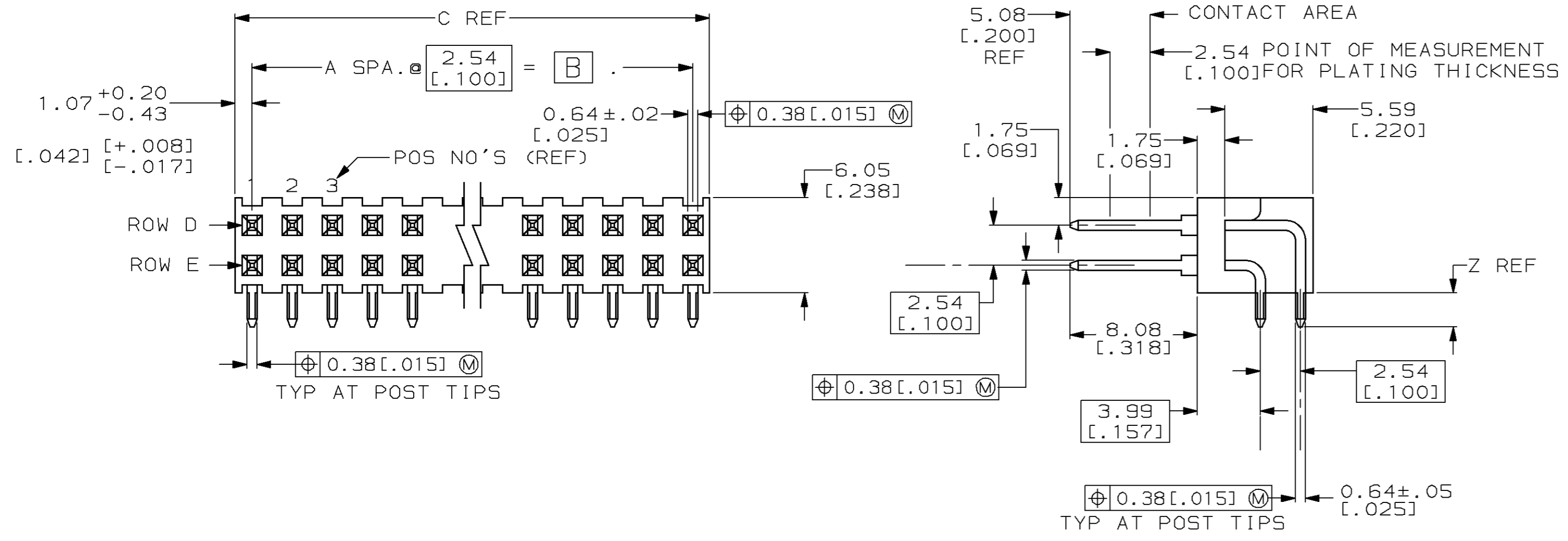
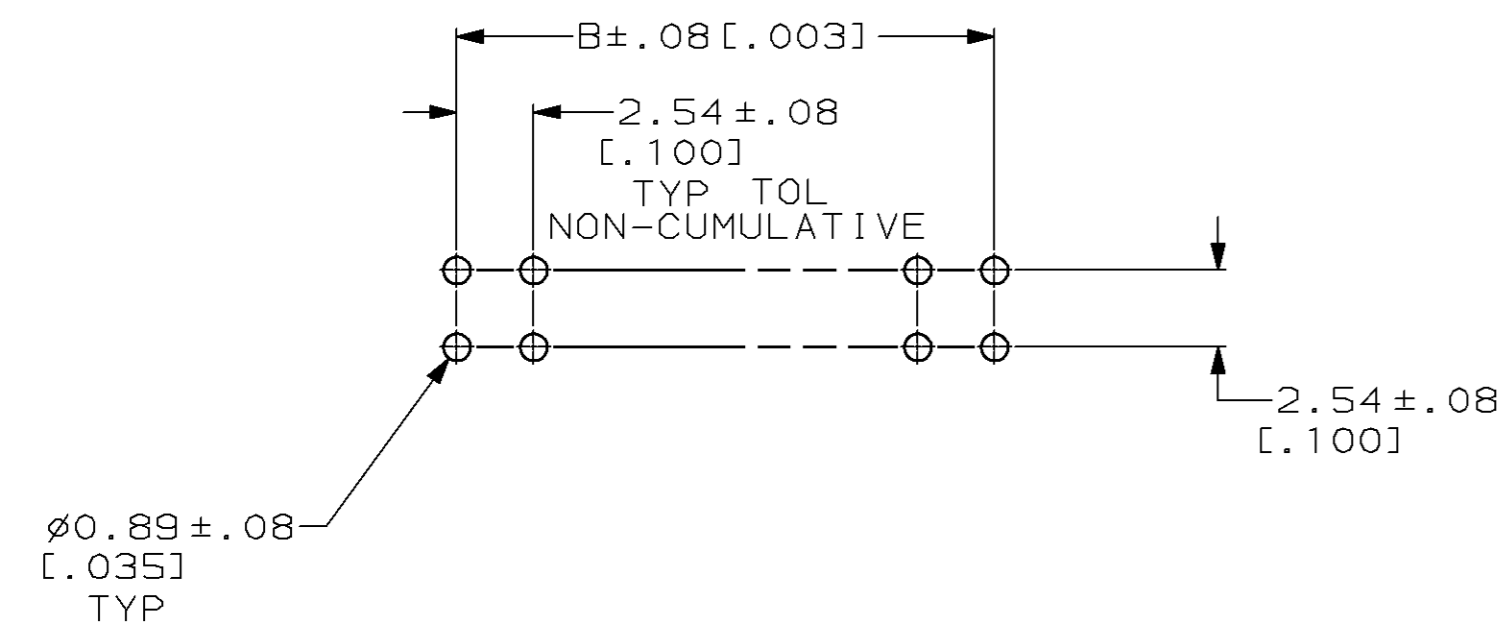


LOC		DIST		P		F		ZONE		LTR		REVISIONS		
AD	39											DESCRIPTION	DATE	APPD
												P	REDRAWN PER 0010-0656-94 JK	5-16-94 JK
												R	REV PER 0310-0371-97	9-25-97 SAS
												S	REV PER 0310-0463-97	24-NOV-97 SAS



△ .000030 GOLD ON CONTACT AREA, GOLD FLASH ON SOLDER AREA, ALL OVER .000050 NICKEL



RECOMMENDED BOARD LAYOUT

1, 3, 6, 8, 9	1, 3, 6, 7, 14	2.79 [ .110 ]	55.47 [ 2.184 ]	53.34 [ 2.100 ]	21	44	4-86479-9
1, 3, 6, 8, 9	15, 18, 20, 21	2.79 [ .110 ]	98.65 [ 3.884 ]	96.52 [ 3.800 ]	36	74	4-86479-6
1, 9, 15	3, 11, 17	2.79 [ .110 ]	93.57 [ 3.684 ]	91.44 [ 3.600 ]	36	74	4-86479-6
22, 24, 29, 35		2.79 [ .110 ]	24.99 [ .984 ]	22.86 [ .900 ]	9	20	4-86479-5
3	4	2.79 [ .110 ]	101.19 [ 3.984 ]	99.06 [ 3.900 ]	39	80	4-86479-4
NONE	NONE	2.79 [ .110 ]	98.65 [ 3.884 ]	96.52 [ 3.800 ]	38	78	4-86479-3
NONE	NONE	2.79 [ .110 ]	96.11 [ 3.784 ]	93.98 [ 3.700 ]	37	76	4-86479-2
NONE	NONE	2.79 [ .110 ]	93.57 [ 3.684 ]	91.44 [ 3.600 ]	36	74	4-86479-1
NONE	NONE	2.79 [ .110 ]	91.03 [ 3.584 ]	88.90 [ 3.500 ]	35	72	4-86479-0
NONE	NONE	2.79 [ .110 ]	88.49 [ 3.484 ]	86.36 [ 3.400 ]	34	70	3-86479-9
NONE	NONE	2.79 [ .110 ]	85.95 [ 3.384 ]	83.82 [ 3.300 ]	33	68	3-86479-8
NONE	NONE	2.79 [ .110 ]	83.41 [ 3.284 ]	81.28 [ 3.200 ]	32	66	3-86479-7
NONE	NONE	2.79 [ .110 ]	80.87 [ 3.184 ]	78.74 [ 3.100 ]	31	64	3-86479-6
NONE	NONE	2.79 [ .110 ]	78.33 [ 3.084 ]	76.20 [ 3.000 ]	30	62	3-86479-5
NONE	NONE	2.79 [ .110 ]	75.79 [ 2.984 ]	73.66 [ 2.900 ]	29	60	3-86479-4
NONE	NONE	2.79 [ .110 ]	73.25 [ 2.884 ]	71.12 [ 2.800 ]	28	58	3-86479-3
NONE	NONE	2.79 [ .110 ]	70.71 [ 2.784 ]	68.58 [ 2.700 ]	27	56	3-86479-2
NONE	NONE	2.79 [ .110 ]	68.17 [ 2.684 ]	66.04 [ 2.600 ]	26	54	3-86479-1
NONE	NONE	2.79 [ .110 ]	65.63 [ 2.584 ]	63.50 [ 2.500 ]	25	52	3-86479-0
NONE	NONE	2.79 [ .110 ]	63.09 [ 2.484 ]	60.96 [ 2.400 ]	24	50	2-86479-9
NONE	NONE	2.79 [ .110 ]	60.55 [ 2.384 ]	58.42 [ 2.300 ]	23	48	2-86479-8
NONE	NONE	2.79 [ .110 ]	58.01 [ 2.284 ]	55.88 [ 2.200 ]	22	46	2-86479-7
NONE	NONE	2.79 [ .110 ]	55.47 [ 2.184 ]	53.34 [ 2.100 ]	21	44	2-86479-6
NONE	NONE	2.79 [ .110 ]	52.93 [ 2.084 ]	50.80 [ 2.000 ]	20	42	2-86479-5
NONE	NONE	2.79 [ .110 ]	50.39 [ 1.984 ]	48.26 [ 1.900 ]	19	40	2-86479-4
NONE	NONE	2.79 [ .110 ]	47.85 [ 1.884 ]	45.72 [ 1.800 ]	18	38	2-86479-3
NONE	NONE	2.79 [ .110 ]	45.31 [ 1.784 ]	43.18 [ 1.700 ]	17	36	2-86479-2
NONE	NONE	2.79 [ .110 ]	42.77 [ 1.684 ]	40.64 [ 1.600 ]	16	34	2-86479-1
NONE	NONE	2.79 [ .110 ]	40.23 [ 1.584 ]	38.10 [ 1.500 ]	15	32	2-86479-0
NONE	NONE	2.79 [ .110 ]	37.69 [ 1.484 ]	35.56 [ 1.400 ]	14	30	1-86479-9
NONE	NONE	2.79 [ .110 ]	35.15 [ 1.384 ]	33.02 [ 1.300 ]	13	28	1-86479-8
NONE	NONE	2.79 [ .110 ]	27.53 [ 1.084 ]	25.40 [ 1.000 ]	10	22	1-86479-7
NONE	NONE	2.79 [ .110 ]	9.75 [ .384 ]	7.62 [ .300 ]	3	8	1-86479-6
NONE	NONE	2.79 [ .110 ]	7.21 [ .284 ]	5.08 [ .200 ]	2	6	1-86479-5
NONE	NONE	2.79 [ .110 ]	4.67 [ .184 ]	2.54 [ .100 ]	1	4	1-86479-4
NONE	NONE	2.79 [ .110 ]	2.13 [ .084 ]	-	-	2	1-86479-3
NONE	NONE	2.79 [ .110 ]	-	-	-	-	1-86479-2
NONE	NONE	2.79 [ .110 ]	24.99 [ .984 ]	22.86 [ .900 ]	9	19	1-86479-1
NONE	NONE	2.79 [ .110 ]	32.61 [ 1.284 ]	30.48 [ 1.200 ]	12	26	1-86479-0
NONE	NONE	2.79 [ .110 ]	-	-	-	-	86479-9
NONE	NONE	2.79 [ .110 ]	-	-	-	-	86479-8
NONE	NONE	2.79 [ .110 ]	30.07 [ 1.184 ]	27.94 [ 1.100 ]	11	24	86479-7
NONE	NONE	2.79 [ .110 ]	22.45 [ .884 ]	20.32 [ .800 ]	8	18	86479-6
NONE	NONE	2.79 [ .110 ]	17.37 [ .684 ]	15.24 [ .600 ]	6	14	86479-5
NONE	NONE	2.79 [ .110 ]	14.83 [ .584 ]	12.70 [ .500 ]	5	12	86479-4
NONE	NONE	2.79 [ .110 ]	12.29 [ .484 ]	10.16 [ .400 ]	4	10	86479-3
NONE	NONE	2.79 [ .110 ]	19.91 [ .784 ]	17.78 [ .700 ]	7	16	86479-2
NONE	NONE	2.79 [ .110 ]	24.99 [ .984 ]	22.86 [ .900 ]	9	20	86479-1
ROW E	ROW D	Z	C	B	A	NO OF POSN	PART NUMBER

OBSOLETE  
 OBSOLETE  
 SUPERSEDED BY 4-87230-2  
 SUPERSEDED BY 4-87230-1

DO NOT SCALE PRINT. UNLESS SPECIFIED DIMENSIONS IN mm [INCHES] TOLERANCES ON: 2 PLC DEC ± .13 [ .005 ] ANGLES ± -

MATERIAL: HSG-FLAME RETARDANT THERMOPLASTIC COLOR-BLACK  
 POSTS- PHOS. BRONZE  
 FINISH: △

DR 5-16-94 J KNAUB  
 CHK 5-17-94 J KNITTLE  
 APPD 5-17-94 J KNITTLE  
 APPD 5-17-94 J KNITTLE  
 PRODUCT SPEC -  
 APPLICATION SPEC -  
 WEIGHT -

AMP Incorporated  
 Harrisburg, PA 17105-3608

NAME: ASSEMBLY, MOD II, DOUBLE ROW .100 X .100, RIGHT ANGLE WITH SPANKED TAILS

SIZE: D  
 CAGE CODE: 00779  
 DRAWING NO: C-86479

SCALE: 4:1  
 SHEET: 1 OF 1

THIS DRAWING IS A CONTROLLED DOCUMENT FOR AMP INCORPORATED. IT IS SUBJECT TO CHANGE AND THE CONTROLLING ENGINEERING ORGANIZATION SHOULD BE CONTACTED FOR THE LATEST REVISION.