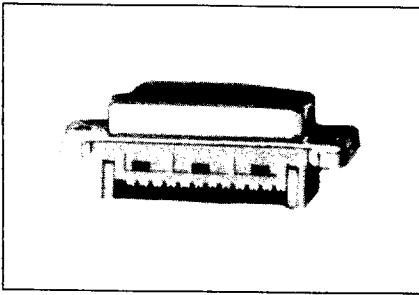


D-SUB: RIBBON CABLE IDC (threaded insert)



ELECTRICAL

CONTACT CURRENT RATING:
1 AMP

DIELECTRIC WITHSTANDING:
500 VAC FOR 1 MINUTE

VOLTAGE RATING:
250 VAC

INSULATION RESISTANCE
1000 MOHMS @ 500 VDC

CONTACT RESISTANCE:
30 mOHMS MAX

MATERIALS

CONTACTS: PHOSPHOR BRONZE

INSULATOR: PBT (94V-0) (BLUE)

SHELL: TIN PLATED STEEL

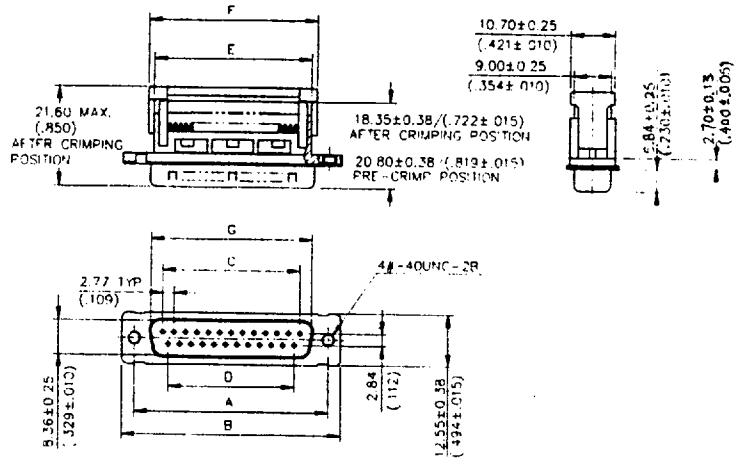
FINISHES

CONTACT: GOLD OVER NICKEL

OPERATING TEMP.

-55 C to +105 C

DIMENSIONS



SHELL SIZE	A	B	C	D	E	F	G	H
9	0.984	1.212	0.436	0.327	0.634	0.732	0.666	0.643
15	1.312	1.539	0.736	0.654	0.945	1.047	0.994	0.971
25	1.852	2.090	1.308	1.199	1.502	1.610	1.534	1.511
37	2.500	2.732	1.963	1.854	2.150	2.248	2.183	2.159
50	* CALL FOR SPEC SHEET *							
DIMENSIONS ARE IN INCHES								

D-SUB: METAL FACE IDC (threaded insert)		CROSS REFERENCE		
PART #	DESCRIPTION	AMP	T&B	3M
FDE-09PMT	9 PIN MALE	747043-4	622-09PM1	U89809-8003
FDE-09SMT	9 PIN FEMALE	747052-4	622-09SM1	U89909-8003
FDA-15PMT	15 PIN MALE	747043-3	622-15PM1	U89815-8003
FDA-15SMT	15 PIN FEMALE	747052-3	622-15SM1	U89915-8003
FDB-25PMT	25 PIN MALE	747043-2	622-25PM1	U89825-8003
FDB-25SMT	25 PIN FEMALE	747052-2	622-25SM1	U89925-8003
FDC-37PMT	37 PIN MALE	747043-1	622-37PM1	U89837-8003
FDC-37SMT	37 PIN FEMALE	747052-1	622-37SM1	U89937-8003
FDD-50SMT	50 PIN FEMALE	746789-1	622-50SM1	U89950-8003
* BLUE INSULATOR (50 PIN IS BLACK), METAL FACE, THREADED INSERT *				

9005176 0000076 365

SOLID ELECTRIC, INC.

TEL: (415) 324-4981 * FAX: (800) 447-4776 * INTL FAX: (415) 324-1647