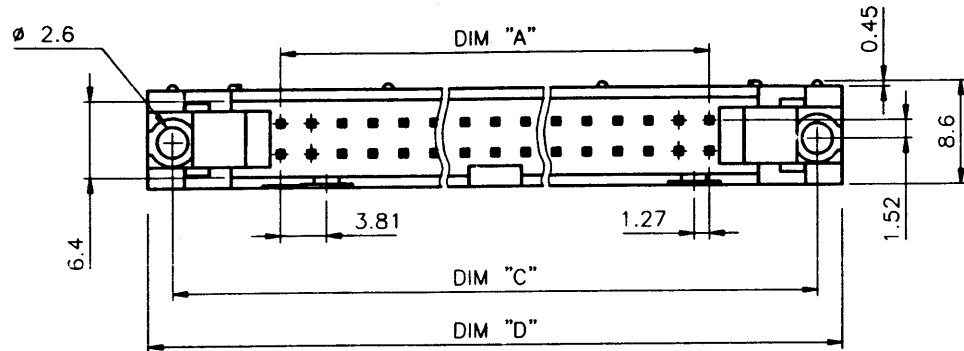
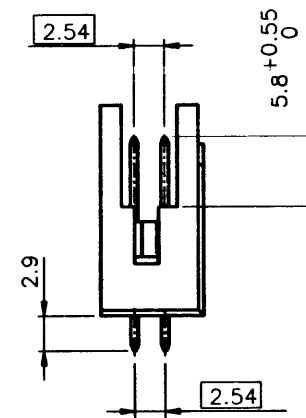
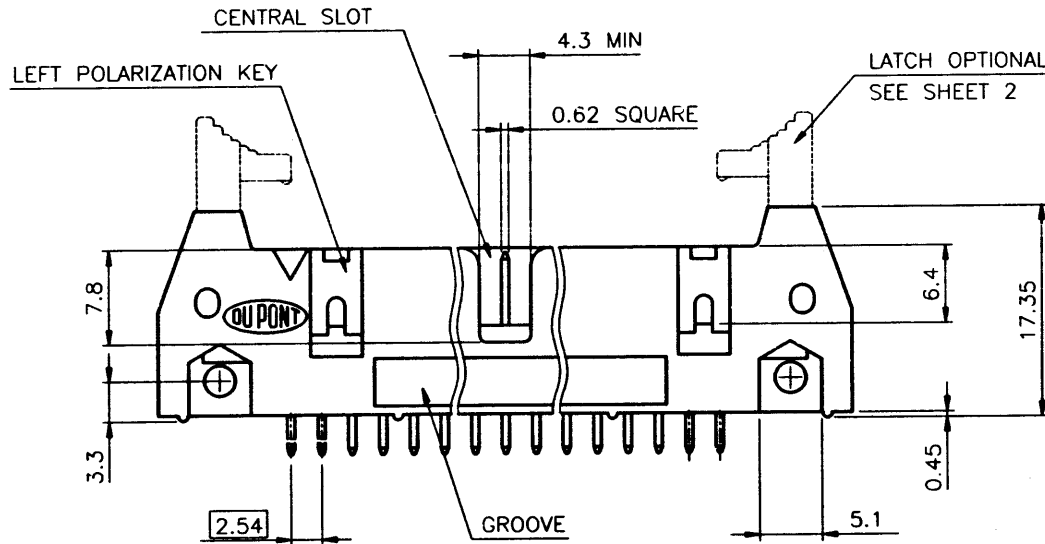


PRODUCT NUMBER	DIM "A"	DIM "C"	DIM "D"
71916-XYX	SEE TABLE SHEET 213 2/2		



NOTES.

- 1 - MATERIAL CONTACT: PHOSPHOR BRONZE.
- 2 - MATERIAL PLASTIC: POLYESTER 30% GLASSFILLED FLAME RETARDANT PER UL-94-V0 COLOR GREY.
- 3 - PRODUCTS PACKED IN ANTISTATIC POLYBAG.
- 4 - PART NUMBER FOLLOWED BY A "Y", IF PACKAGING IN TUBES IS REQUIRED ( EXAMPLE 71916-020Y).



3.81um SnPb MIN	3.81um SnPb MIN
CONTACT AREA	SOLDER TAIL AREA
PLATING THICKNESS OVER 1.27um Ni MIN	

mat'l. code SEE NOTES				surface ISO 1302 ✓	tolerance ISO 406 ISO 1101	CUSTOMER COPY	<b>BERG</b> ELECTRONICS	
lfr	ecn no	dr	date	finish	heat treat	projection	title QKIE HEADER STRAIGHT, TIN PLATED	
B	F40731	JMC	94.11.14			mm	product family	code
				dr	J.COMPAGNON	87.08.05	QKIE	213
				enr	JM PHAMVAN	94.11.14	size	dwg no
				chr	J.COMPAGNON	94.11.14	A3	71916
				appd	JM P	94.11.14	scale	sheet
							2.5:1	1 of 2
sheet	revisori	B	B					
index	sheet	1	2					

BERG ELECTRONICS

All rights reserved. Reproduction in whole or in part without the written permission of BERG ELECTRONICS is prohibited. Copyright © 1994 BERG ELECTRONICS

A3

A4

**intec**  
PDM: Rev B

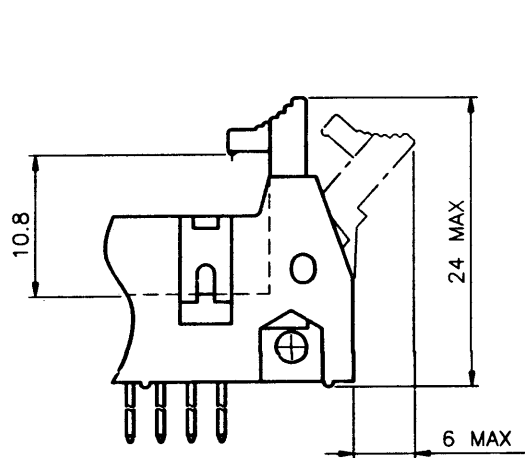
A4

STATUS: Released

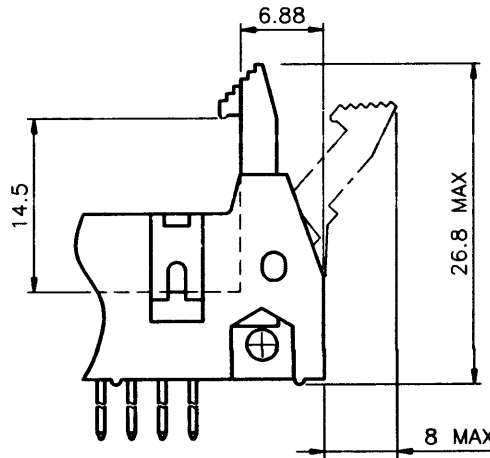
Printed: Sep 15, 2004

A3

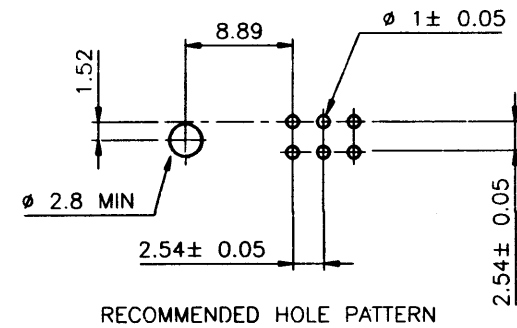
PRODUCT NUMBER	SIZE	DIM "A"	DIM "C"	DIM "D"	CENTRAL SLOT	LEFT POL KEY	GROOVE
71916-X06	2x3	5.08	22.86	26.92	NO	NO	NO
71916-X08	2x4	7.62	25.4	29.46	NO	NO	NO
71916-X10	2x5	10.16	27.94	32	YES	NO	NO
71916-X14	2x7	15.24	33.02	37.08	YES	NO	NO
71916-X16	2x8	17.78	35.56	39.62	YES	YES	YES
71916-X18	2x9	20.32	38.1	42.16	YES	YES	NO
71916-X20	2x10	22.86	40.64	44.7	YES	YES	YES
71916-X26	2x13	30.48	48.26	52.32	YES	YES	YES
71916-X30	2x15	35.56	53.34	57.4	YES	YES	NO
71916-X34	2x17	40.64	58.42	62.48	YES	YES	NO
71916-X40	2x20	48.26	66.04	70.1	YES	YES	YES
71916-X44	2x22	53.34	71.12	75.18	YES	YES	YES
71916-X50	2x25	60.96	78.74	82.8	YES	YES	YES
71916-X60	2x30	73.66	91.44	95.5	YES	YES	YES
71916-X64	2x32	78.74	96.52	100.58	YES	YES	YES



LOW PROFILE LATCH



STANDARD LATCH



RECOMMENDED HOLE PATTERN

PRODUCT CODE "X"	EJECTOR LATCH OPTION		
	WITHOUT LATCH	STANDARD LATCH	LOW PROFILE LATCH
71916-2YY			●
71916-1YY		●	
71916-0YY	●		

mat'l. code		surface	tolerance	CUSTOMER COPY	<b>BERG</b> ELECTRONICS
lfr	ecm no	ISO 1302 ✓	ISO 406 ISO 1104		
A	10764	dr	88.04.22	projection	title QKIE HEADER STRAIGHT, TIN PLATED
B	F40731	JMC	94.11.14		
		heat treat		mm	product family QKIE
		dr	J.COMPAGNON 87.08.05		
		engr	JM PHAMVAN 94.11.14	scale	code 213
		chr	J.COMPAGNON 94.11.14		
		appd	JM.P 94.11.14	2.5:1	sheet 2 of -
sheet index	revision sheet				

A3

A4

+inter  
PDM: Rev B

A4

STATUS: Released

Printed: Sep 15, 2004

A3