

# MICRO ELECTRONICS

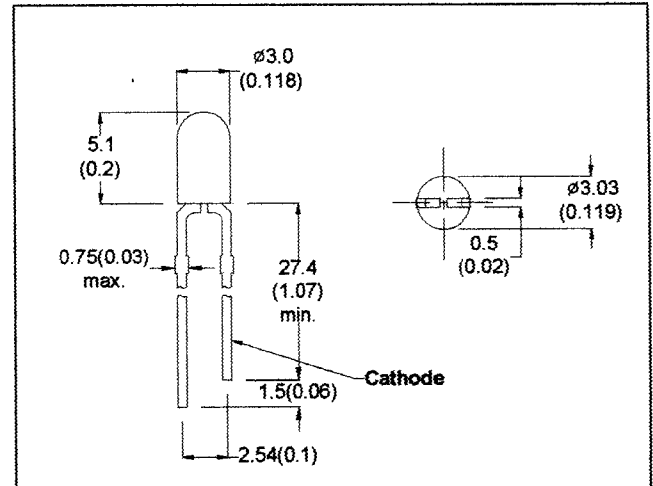
MGB33D  
 MOB33D  
 MOB33DR  
 MRB33D  
 MSB33D  
 MYB33D

Φ 3mm FLANGELESS  
 LED LAMPS

## DESCRIPTION

This series of solid state indicators are 3mm diameter flangeless lamps

- MGB33D is green LED with a green diffused lens.
- MOB33D is orange LED with an orange diffused lens.
- MOB33DR is orange LED with a red diffused lens.
- MRB33D is red LED with a red diffused lens.
- MSB33D is red LED with a red diffused lens.
- MYB33D is yellow LED with a yellow diffused lens.



- All Dimension in mm (inch)
- No Scale
- Tol : +/- 0.3mm

## ABSOLUTE MAXIMUM RATINGS

Power Dissipation @ Ta=25°C  
 Forward Current, DC (IF)  
 Reverse Voltage  
 Operating & Storage Temperature Range  
 Lead Soldering Temperature (1/16" from body)

	MGB33D	MOB33D	MOB33DR	MRB33D	MSB33D	MYB33D
Power Dissipation @ Ta=25°C	90mW	80mW	45mW	60mW	45mW	60mW
Forward Current, DC (IF)	30mA	40mA	15mA	20mA	15mA	20mA
Reverse Voltage	5v	5V	5V	5V	5V	5V
Operating & Storage Temperature Range		-55 to +100°C				
Lead Soldering Temperature (1/16" from body)		260°C for 5 sec.				

## ELECTRO-OPTICAL CHARACTERISTICS (Ta=25°C)

PARAMETER	SYMBOL	MGB33D	MOB33D	MOB33DR	MRB33D	MSB33D	MYB33D	UNIT	CONDITIONS
Forward Voltage	MAX VF	3.0	3.0	3.0	2.0	3.0	3.0	V	IF=20mA
Reverse Breakdown Voltage	MIN BVR	5	5	5	5	5	5	V	IR=100 μA
Luminous Intensity	MIN IV	20	15	15	1	1.2*	12	mcd	IF=20mA
	TYP	35	25	25	1.5	1.8*	20	mcd	
Peak Wavelength	TYP λp	570	630	640	660	700	585	nm	IF=20mA
Spectral Line Half Width	TYP Δλ	30	40	40	20	100	35	nm	IF=20mA
Viewing Angle	TYP 2θ 1/2	70	70	70	70	70	70	degree	IF=20mA

\* IF = 10mA

MICRO ELECTRONICS LTD.

38, Hung To Road, Microtron Building, Kwun Tong, Kowloon, Hong Kong.  
 Kwun Tong P.O. Box 69477 Hong Kong. Fax No. 2341 0321 Telex:43510 Micro Hx. Tel: 2343 0181-5

Aug-99