

92008

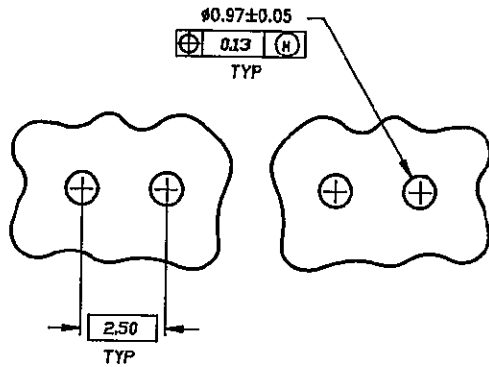
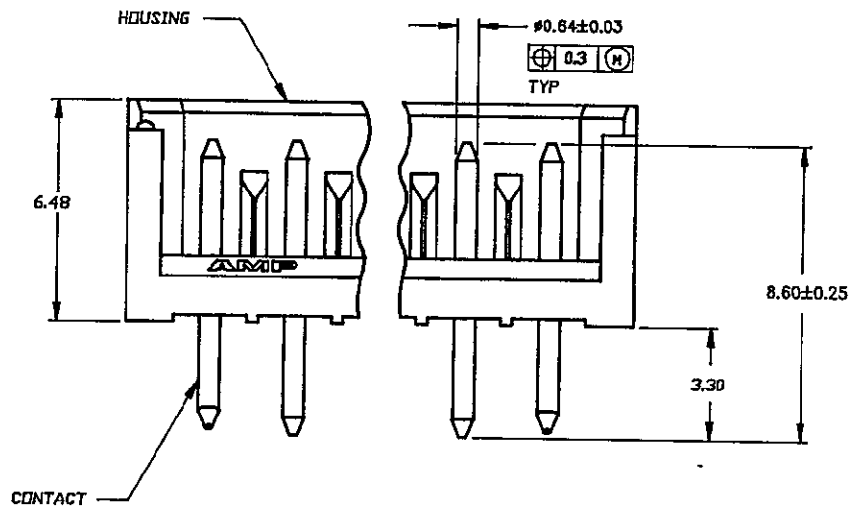
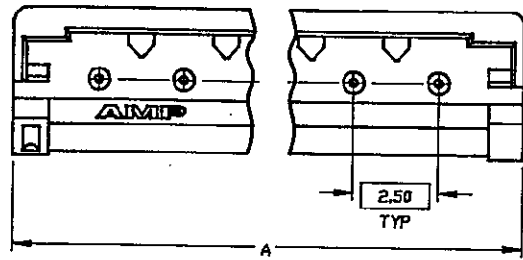
NUMBER



METRIC

DIMENSIONS IN MM, DO NOT SCALE PRINT

PRINT DIST



RECOMMENDED MOUNTING HOLE PATTERN FOR 1.57 THICK PRINTED CIRCUIT BOARD

NOTES:

- ① MATERIAL: HEADER: NYLON UL94V-0 (WHITE)
POST: BRASS, TIN LEAD OVER COPPER OR GOLD OVER NICKEL
- 2. POST COMPLY WITH AMP SOLDERABILITY SPEC 109-11-2.
- ③ RETENTION DETAIL LOCATED ON END CIRCUITS ONLY.
- ④ (2) CIRCUIT HEADER TO BE AS SHOWN IN FIGURE 1.

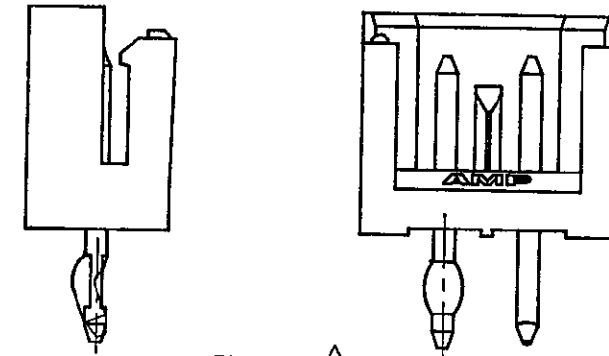


FIG. 1

37.5	14	3-92008-4	1-92008-4
35	13	3-92008-3	1-92008-3
32.5	12	3-92008-2	1-92008-2
30	11	3-92008-1	1-92008-1
27.5	10	3-92008-0	1-92008-0
25	9	2-92008-9	92008-9
22.5	8	2-92008-8	92008-8
20	7	2-92008-7	92008-7
17.5	6	2-92008-6	92008-6
15	5	2-92008-5	92008-5
12.5	4	2-92008-4	92008-4
10	3	2-92008-3	92008-3
7.5	2	2-92008-2	92008-2
A	NO OF CIRCUITS	PART NO	PART NO

E	REVISED FB00-0073-98	SY	ML	204780
D	REVISED FP00-0268-97	LWY	LFK	48297
C	REVISED DY/EC/0745	RT	VJS	23739
B	DY/EC/0678	RT	ML	24293
A	DY/EC/0648	RT	ML	24293
D	PRELIMINARY RELEASE TO AMP FROM KONG	SA	ML	7139
LTR	(REVISION RECORD)	DR	CHK	DATE

<p>AMP AMP SHANGHAI LTD</p>		<p>PRODUCT SPEC: 108-51007</p>	
		<p>(MATERIAL):</p>	
<p>INSULATION DIA: -</p>		<p>(FINISH):</p>	
<p>DO NOT SCALE PRINT, UNLESS SPECIFIED DIMENSIONS IN MM TOLERANCES IN:</p>		<p>SIZE: A3</p>	<p>LOC: ES</p>
<p>DR. 7139 SARIATI</p>		<p>REL. EDWIN CHAM</p>	
<p>CHK. 7139 MAGGIE</p>		<p>APP. P de JONG</p>	
<p>(SCALE): 5:1</p>		<p>REV. E</p>	<p>SHEET 1 OF 1</p>

(CUSTOMER DRAWING)

- [Home](#)
- [Part Number Search](#)
- [Document Search](#)
- [Text Search](#)
- [Alternate Part Search](#)
- [Multiple Part Comparison](#)
- [Alphabetical Search](#)
- [Brand Search](#)
- [Industry Product Search](#)
- [Product Type Search](#)
- [Product Family Search](#)
- [Competitor Cross Reference](#)
- [Lead Free Solutions](#)
- [Help/Glossary](#)

Current Brand View	View All Tyco Electronics Brands Click to activate links to all other products
AMP	

Metric (2.5mm) Interconnect System
2.5mm Metric Interconnect System
AMP 1-92008-4 Active [Active](#)
(Tyco Electronics P/N: 1-92008-4)

[Search for Parts](#) | [Previous](#) [1] [2](#) [3](#) [Next](#) [N](#)

Document links for this part cannot be displayed. Your browser does not support inline frames or is currently configured not to display inline frames. Inline frames are supported in both Internet Explorer 5 and Netscape 6, as well as all later versions of these browsers.

Related Part Information		
General Information	eCommerce	Related Part Information
General Info Sales Info Assembly Subcontractors	Pricing Product Availability	

Searchable Features:	
Brand:	AMP
Product Type:	Header
No. of Positions:	14
Terminate To:	Printed Circuit Board
PCB Mount Style:	Thru Hole
PCB Retention Feature:	With
Housing Material:	6/6 Nylon GF
Packaging Method:	Loose Piece
Color:	White
PCB Mount Angle:	Vertical

Other Properties:	
Contact Material:	Brass
Contact Mating Area Plating:	Tin-Lead over Copper
PCB Retention Method:	Kinked Leg
Housing Material Flammability Rating:	UL 94V-0
Comment:	Kinked posts located on end circuits only

[Copyright](#) and [Privacy Statement](#)

Visit [Tyco International, Ltd.](#)

[Products](#) | [Catalog](#) | [Brands](#) | [Industries](#) | [Commerce](#) | [Supplier](#) | [Customer Service](#) | [About](#) | [Home](#)