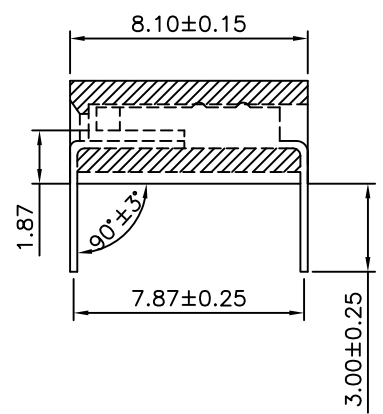
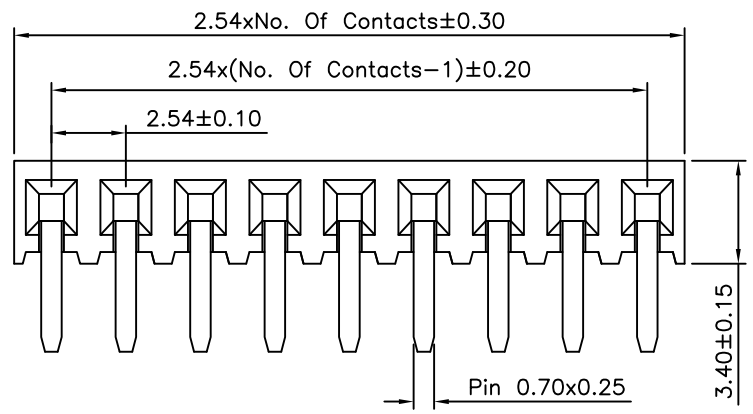
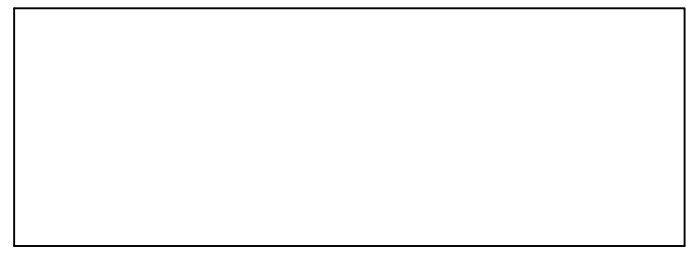


Recommended P.C.Board Hole Layout

SPECIFICATIONS

Current Rating: 3 Amp
 Voltage Rating: 500V AC/DC
 Insulator Resistance: 1000 Megohms Min.
 Contact Resistance: 20 Milliohms Max.
 Operating Temperature: -40°C To +105°C
 Contact: Phosphor Bronze, Gold Flash Over All
 Insulator: PBT+30%GF, UL 94V-0



AUK A MEMBER OF AUK GROUP
太聯事業股份有限公司
AUK CONTRACTORS CO., LTD.

CATEGORY		APPROVED BY		UNLESS OTHERWISE SPECIFIED TOLERANCES ARE				
PART No. FS1XXX		MEI			.X ±0.40			
DRAWING No. FS1XXX		CHECKED BY BECKY		.XX ±0.25				
SCALE NONE		DRAWING BY HZF		.XXX ±0.15	△ A1	UPDATE PCB LAYOUT	HZF	11/08/2007
REV. A1		REV. A1		ANG: ±3°	△ A0	NEW RELEASE	BECKY	08/26/2005
				UNIT mm	NO. REV.	REVISIONS	CHK	DATE