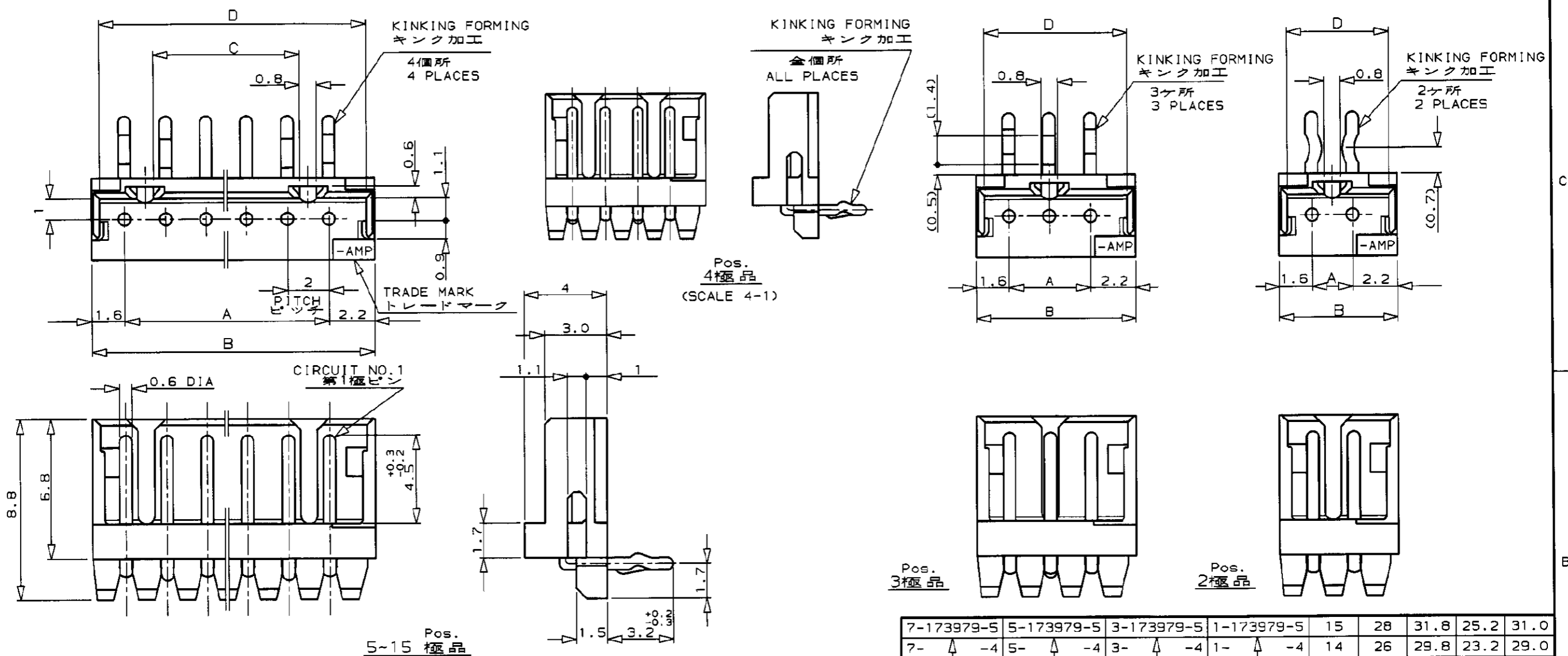


NUMBER C-173979
METRIC

DIMENSIONS IN MILLIMETERS. DO NOT SCALE PRINT

PRINT DIST

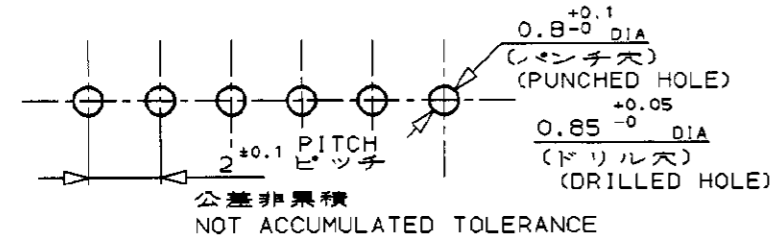


注 :

- 材料 : HSG - 66ナイロン樹脂UL94V-0
ポスト - 半田メッキ付黄銅
- 適用製品規格 : 108-5218
- 取合相手製品型番 : P/N 173977

NOTES;

- MATERIAL; HOUSING - 66 NYLON (UL94V-0)
POST - POST-PLATED TIN-LEAD BRASS
- PRODUCT SPEC.; 108-5218
- APPLICABLE RECEPTACLE; P/N 173977



RECOMMENDABLE P.C. BOARD LAYOUT
推奨基板寸法
(板厚 0.8-1.6)
(PCB THK. 0.8-1.6)

7-173979-5	5-173979-5	3-173979-5	1-173979-5	15	28	31.8	25.2	31.0
7-▲	-4 5-▲	-4 3-▲	-4 1-▲	14	26	29.8	23.2	29.0
7-	-3 5-	-3 3-	-3 1-	13	24	27.8	21.2	27.0
7-	-2 5-	-2 3-	-2 1-	12	22	25.8	19.2	25.0
7-	-1 5-	-1 3-	-1 1-	11	20	23.8	17.2	23.0
7-	-0 5-	-0 3-	-0 1-	10	18	21.8	15.2	21.0
6-	-9 4-	-9 2-	-9	9	16	19.8	13.2	19.0
6-	-8 4-	-8 2-	-8	8	14	17.8	11.2	17.0
6-	-7 4-	-7 2-	-7	7	12	15.8	9.2	15.0
6-	-6 4-	-6 2-	-6	6	10	13.8	7.2	13.0
6-	-5 4-	-5 2-	-5	5	8	11.8	5.2	11.0
6-	-4 4-	-4 2-	-4	4	6	9.8	3.2	9.0
6-	-3 4-	-3 2-	-3	3	4	7.8	—	7.0
6-173979-2	4-173979-2	2-173979-2	173979-2	2	2	5.8	—	5.0
BLACK 黒色	YELLOW 黄色	BLUE 青色	NATURAL 自然色	Pos. 極数	A	B	C	D

Copyright ©19 年 Tyco Electronics AMP K.K.		Copyright ©19 年 Tyco Electronics AMP K.K. ALL RIGHTS RESERVED.		AMP Tyco Electronics AMP K.K. Kawasaki, Japan	
J	REVISED FJ00-1622-99			WIRE RANGE	INSULATION DIA
H	REVISED FJ00-3495-95	T.F.S.K.	10/27/95	— mm ² (AWG -)	— mmφ
G	REVISED FJ00-0057-94	T.F.S.K.	11/20/94	MATERIAL	FINISH
F	REVISED J-1761	T.F.S.K.	12/25/92	SEE NOTE 1	—
E	REVISED J-1466	S.K.J.T.	9/4/92	DR. T.NAKAMURA	DE. T.NAKAMURA
D	REDRAWN J-12413	T.N.S.K.	4/5/90	CHK. S.KIKUCHI	APP. S.KUBOUCHI
LTR	REVISION RECORD	DR	CHK	DATE	

NAME	ポストヘッダーアッセンブリ・水平型(H-タイプ) POST HEADER ASS'Y HORIZONTAL TYPE (AMP CT CONNECTOR 2mm PITCH)		
GENERAL TOLERANCE	SIZE	LOC	NUMBER
0 <≦ 10 : ±0.2 10 <≦ 30 : ±0.25 30 <≦ 100 : ±0.3 ANGLES : ±3°	B	J	C-173979
SCALE	REV.	SHEET	
5 - 1	J	1 OF 1	