



SMD Crystal Clock Oscillators

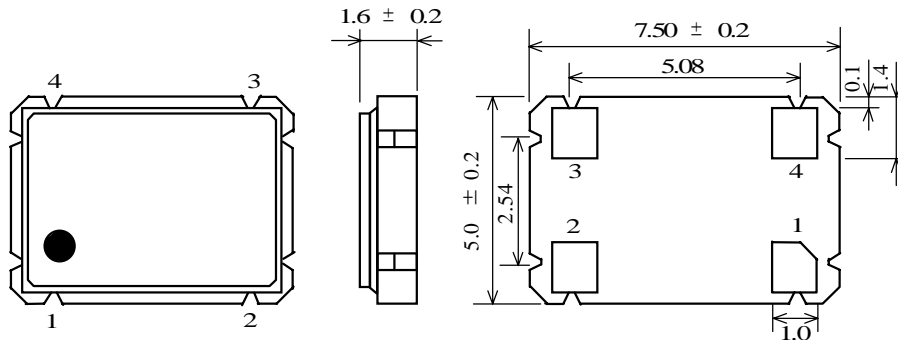
SMD Crystal Clock Oscillators: KCO-73 Type

■ Features

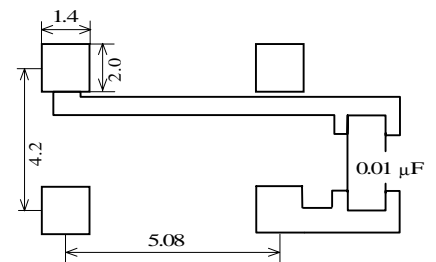
- Low profile, $h=1.6\text{ mm} \pm 0.2\text{ mm}$
- Power supply voltage 3.3V type
- Wide frequency range (1.5MHz~100MHz)
- High reliability is achieved by a metal cap and sealing
- Most suitable for automatic mounting, reflow soldering.



■ Dimensions (Unit: mm)



■ Recommended Land Pattern



■ Specifications

Item	KCO-735 / 736	KCO-730 / 731
	Tri-state function	without Tri-state function
Power Supply Voltage	+3.3 V $\pm 10\%$	
Frequency Range	1.544 MHz ~ 100.000 MHz	
Operating Temperature Range	- 10 °C ~ + 70 °C	
Frequency Stability	$\pm 50\text{ ppm}$, $\pm 100\text{ ppm}$	
Load	15 pF (Max.)	
Symmetry	40 % ~ 60 % / 45 % ~ 55 %	
Rise, Fall Time	5 nS (Max.)	
Output Voltage	VOL 10 % VDD (Max.) VOH 90 % VDD (Min.)	
Current Consumption	1.5 MHz ~ 36 MHz 10 mA (Max.) 36 ⁺ MHz ~ 70 MHz 25 mA (Max.) 70 ⁺ MHz ~ 100 MHz 40 mA (Max.)	
Output Current	"0"Level Min. 8 mA "1"Level Min. 8 mA	
Start-up Time	1.5 MHz ~ 36 MHz 5mS 36 ⁺ MHz ~ 70 MHz 10 mS 70 ⁺ MHz ~ 100 MHz 10 mS	

Standard Frequency (MHz)	
1.5440	25.0000
1.8432	28.6363
2.0480	32.7680
3.6864	33.3330
4.0960	35.3280
4.9152	35.7160
7.3728	40.0000
9.8304	44.7360
11.0592	48.0000
12.2880	49.1520
14.31818	56.4480
14.7456	60.0000
15.3600	66.6660
16.3840	70.0000
18.4320	72.0000
20.0000	80.0000
24.5760	100.0000

Other specifications will be available upon consultation.



SMD Crystal Clock Oscillators

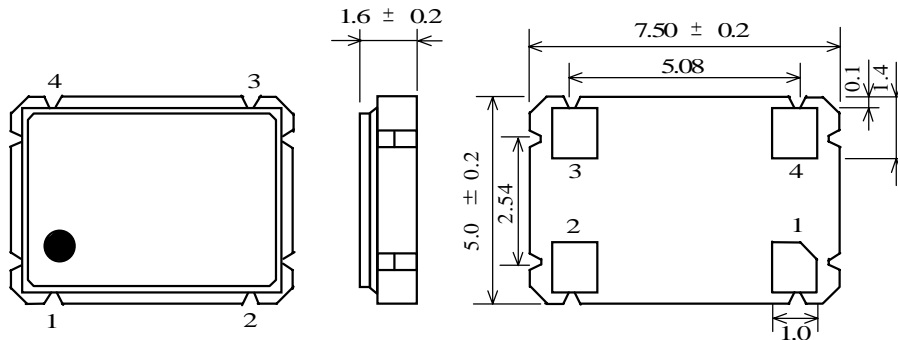
SMD Crystal Clock Oscillators: KCO-76 Type

■ Features

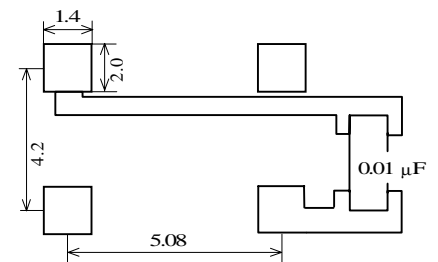
- Low profile, $h=1.6\text{ mm} \pm 0.2\text{ mm}$
- Power supply voltage 5.0V type
- Wide frequency range (1.5MHz~70MHz)
- High reliability is achieved by a metal cap and sealing
- Most suitable for automatic mounting, reflow soldering.



■ Dimensions (Unit: mm)



■ Recommended Land Pattern



■ Specifications

Item	KCO-765 / 766	KCO-760 / 761
	Tri-state function	without Tri-state function
Power Supply Voltage	+5.0 V $\pm 10\%$	
Frequency Range	1.544 MHz ~ 70.000 MHz	
Operating Temperature Range	- 10 °C ~ + 70 °C	
Frequency Stability	$\pm 50\text{ ppm}$, $\pm 100\text{ ppm}$	
Load	50 pF (Max.)	
Symmetry	40 % ~ 60 % / 45 % ~ 55 %	
Rise, Fall Time	7 nS (Max.)	
Output Voltage	VOL 10 % V _{DD} (Max.) VOH 90 % V _{DD} (Min.)	
Current Consumption	1.5 MHz ~ 36 MHz 25 mA (Max.) 36 ⁺ MHz ~ 70 MHz 60 mA (Max.)	
Output Current	“0”Level Min. 16 mA “1”Level Min. 16 mA	
Start-up Time	1.5 MHz ~ 36 MHz 5mS 36 ⁺ MHz ~ 70 MHz 10 mS	

Standard Frequency (MHz)	
1.5440	24.5760
1.8432	25.0000
2.0480	28.6363
3.6864	32.7680
4.0960	33.3330
4.9152	35.3280
7.3728	35.7160
9.8304	40.0000
11.0592	44.7360
12.2880	48.0000
14.31818	49.1520
14.7456	56.4480
15.3600	60.0000
16.3840	66.6660
18.4320	70.0000
20.0000	

Other specifications will be available upon consultation.



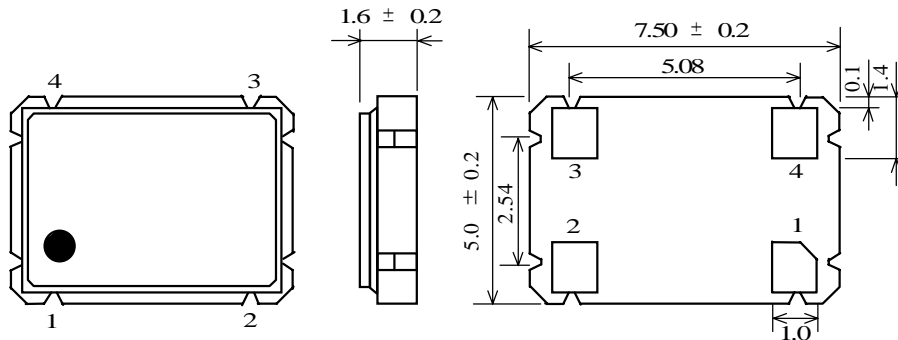
SMD Crystal Clock Oscillators: KCO-70 Type

■ Features

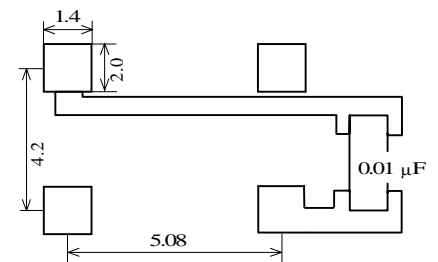
- Low profile, $h=1.6\text{ mm} \pm 0.2\text{ mm}$
- Power supply voltage 3.3V type
- Frequency range (100MHz~125MHz)
- High reliability is achieved by a metal cap and sealing
- Most suitable for automatic mounting, reflow soldering.



■ Dimensions (Unit: mm)



■ Recommended Land Pattern



■ Specifications

Item	KCO-705 / 706
Power Supply Voltage	+3.3 V $\pm 5\%$
Frequency Range	106.250 MHz ~ 125.00 MHz
Operating Temperature Range	- 10 °C ~ + 70 °C
Frequency Stability	$\pm 50\text{ ppm}$, $\pm 100\text{ ppm}$
Load	15 pF (Max.)
Symmetry	40 % ~ 60 % / 45 % ~ 55 %
Rise, Fall Time	5 nS (Max.)
Output Voltage	V _{OL} 10 % V _{DD} (Max.) V _{OH} 90 % V _{DD} (Min.)
Current Consumption	~ 125.000 MHz 50 mA (Max.)
Output Current	“0”Level Min.4 mA “1”Level Min. 4 mA
Start-up Time	15mS
Jitter	8 ps ~ 4 ps (RMS)

Standard Frequency (MHz)
106.250
110.000
116.000
125.000

Other specifications will be available upon consultation.