

DUAL ROW CRIMP TYPE SOCKET

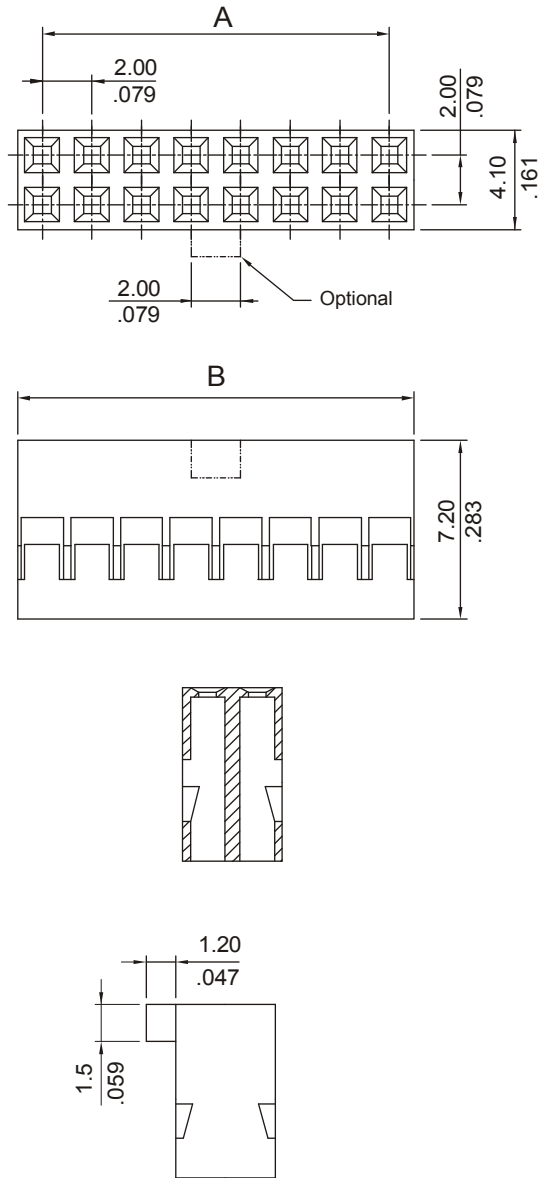


2022 SERIES. 2.00mm(0.079"). Dual Row Socket

Features

- Available in 4 through 50 circuits
- Material: Nylon UL 94V-0
- Accepts 2023 crimp terminal
- Mates with 2.00mm(.079") dual row headers
- Low profile
- Optional: Polarising key 2022 series

Dimensional Information



Ordering and Dimensional Information

Circuit Size	Part Number		Dimensions	
	With Polarising	W/O Polarising	With Polarising	
04	2022 - 2042	2022 - 3042	2.00(0.079)	4.30(0.169)
06	2022 - 2062	2022 - 3062	4.00(0.157)	6.30(0.248)
08	2022 - 2082	2022 - 3082	6.00(0.236)	8.30(0.327)
10	2022 - 2102	2022 - 3102	8.00(0.315)	10.30(0.406)
12	2022 - 2122	2022 - 3122	10.00(0.394)	12.30(0.484)
14	2022 - 2142	2022 - 3142	12.00(0.472)	14.30(0.563)
16	2022 - 2162	2022 - 3162	14.00(0.551)	16.30(0.642)
18	2022 - 2182	2022 - 3182	16.00(0.630)	18.30(0.720)
20	2022 - 2202	2022 - 3202	18.00(0.709)	20.30(0.799)
22	2022 - 2222	2022 - 3222	20.00(0.787)	22.30(0.878)
24	2022 - 2242	2022 - 3242	22.00(0.866)	24.30(0.957)
26	2022 - 2262	2022 - 3262	24.00(0.945)	26.30(1.035)
28	2022 - 2282	2022 - 3282	26.00(1.024)	28.30(1.114)
30	2022 - 2302	2022 - 3302	28.00(1.102)	30.30(1.193)
32	2022 - 2322	2022 - 3322	30.00(1.181)	32.30(1.272)
34	2022 - 2342	2022 - 3342	32.00(1.260)	34.30(1.350)
36	2022 - 2362	2022 - 3362	34.00(1.339)	36.30(1.429)
38	2022 - 2382	2022 - 3382	36.00(1.417)	38.30(1.508)
40	2022 - 2402	2022 - 3402	38.00(1.496)	40.30(1.587)
42	2022 - 2422	2022 - 3422	40.00(1.575)	42.30(1.665)
44	2022 - 2442	2022 - 3442	42.00(1.654)	44.30(1.744)
46	2022 - 2462	2022 - 3462	44.00(1.732)	46.30(1.823)
48	2022 - 2482	2022 - 3482	46.00(1.811)	48.30(1.902)
50	2022 - 2502	2022 - 3502	48.00(1.890)	50.30(1.980)
52	2022 - 2522	2022 - 3522	50.00(1.969)	52.30(2.059)
54	2022 - 2542	2022 - 3542	52.00(2.047)	54.30(2.138)
56	2022 - 2562	2022 - 3562	54.00(2.126)	56.30(2.217)
58	2022 - 2582	2022 - 3582	56.00(2.205)	58.30(2.295)
60	2022 - 2602	2022 - 3602	58.00(2.283)	60.30(2.374)
62	2022 - 2622	2022 - 3622	60.00(2.362)	62.30(2.453)
64	2022 - 2642	2022 - 3642	62.00(2.441)	64.30(2.531)
66	2022 - 2662	2022 - 3662	64.00(2.520)	66.30(2.610)
68	2022 - 2682	2022 - 3682	66.00(2.598)	68.30(2.689)
70	2022 - 2702	2022 - 3702	68.00(2.677)	70.30(2.768)
72	2022 - 2722	2022 - 3722	70.00(2.756)	72.30(2.846)
74	2022 - 2742	2022 - 3742	72.00(2.835)	74.30(2.925)
76	2022 - 2762	2022 - 3762	74.00(2.913)	76.30(3.004)
78	2022 - 2782	2022 - 3782	76.00(2.992)	78.30(3.083)
80	2022 - 2802	2022 - 3802	78.00(3.071)	80.30(3.161)

