

SSA 187/L SERIES 3 TIER 3mm LED ASSEMBLY

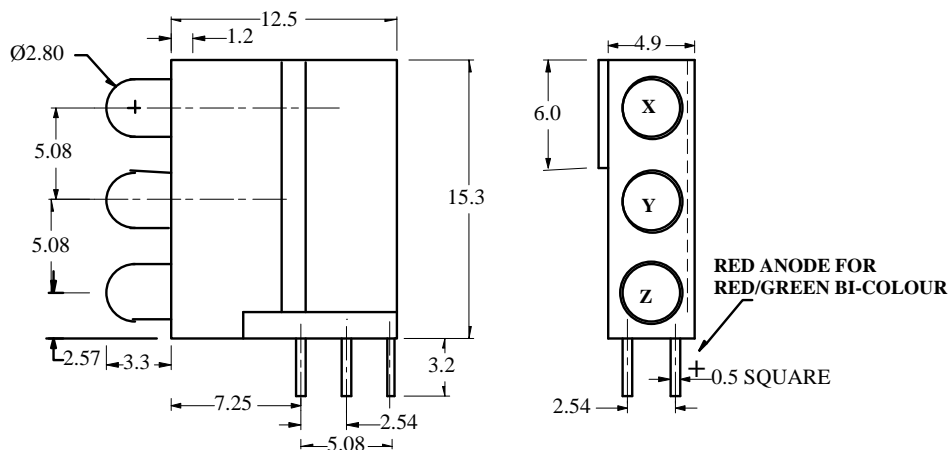
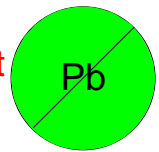
The SSA 187 series is a family of display devices using a Black Nylon 6 UL-94VO rated housing to mount three 3mm LEDs at right angles to a PCB. The pin out is in line on 0.1". In any one batch the LEDs are lumenous intensity matched.

- Accurate alignment of LEDs.
- Low current and high brightness available.
- Unique Baseplate for accurate lead positioning.
- Matched LEDs.
- Blue also available.
- Near equivalent to Dialight 564-0X20-XXX



MECHANICAL DATA

This component is RoHS compliant



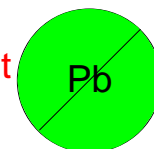
BEDFORD OPTO TECHNOLOGY LTD
1 BIGGAR BUSINESS PARK, BIGGAR, LANARKSHIRE, ML12 6FX
Tel: +44 (0) 1899 221221 Fax: +44 (0) 1899 221009
Website: bot.co.uk E-mail: bill@bot.co.uk

Parameter	Red	Soft	Yellow	Green	Pure	Red						
Forward Current	30mA	30mA	30mA	30mA	30mA	30mA						
Power Dissipation	100mW	100mW	100mW	100mW	100mW	100mW						
Reverse Voltage volts	6	6	6	6	6	10µA						
Operating Temperature	-40°C to +100°C											
Storage Temperature							-55°C to 100°C					
Lead Soldering Temperature for 5sec (2.0mm from Body)							260°C					

OPTO ELECTRONIC DATA (Ta = 25°C)

COLOUR		Luminous Intensity If = 10mA mcd	Peak Wave-length nm	Viewing Angle Degrees	Forward Voltage If = 20mA volts
RED	min	6.3	-	-	2.0
	typ	10	635	60	
SOFT ORANGE	Min	1.6	605	60	2.4
	Typ	4.0			
YEL-LOW	min	6.3	-	-	2.4
	typ	10	585	60	
GREEN	min	6.3	-	-	2.4
	typ	10	565	60	
	max	-	-	-	
PURE GREEN	min	1.6	-	-	2.4
	typ	3.5	555	60	
	max	-	-	-	
RED	Min	2.2 @20mA	630	200	2.0
	Typ	4.8 @20mA			2.8
	Max	-			-
GREEN	Min	2.2 @20mA	565	200	2.1
	Typ	4.8 @20mA			2.8
	Max	-			-
BI-	Max	-	-	-	-

This component is RoHS compliant



ORDERING INFORMATION

SSA187XYZ X = Top LED Y = Middle LED Z = Bottom LED
 Indicate colour by using R = Red O= Orange Y = Yellow
 B = Blank G = Green PG= Pure Green BC=Red/Green Bi-colour

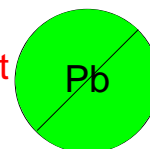
BEDFORD OPTO TECHNOLOGY LTD
1 BIGGAR BUSINESS PARK, BIGGAR, LANARKSHIRE, ML12 6FX
 Tel: +44 (0) 1899 221221 Fax: +44 (0) 1899 221009
 Website: bot.co.uk E-mail: bill@bot.co.uk

LOW CURRENT VERSIONS

ABSOLUTE MAXIMUM RATINGS (T_A = 25°C)

Parameter	Red	Green	Yellow
Forward Current mA	7.0	7.0	7.0
Power Dissipation	20mW	20mW	20mW
Reverse Voltage volts	6	6	6
Operating Temperature	-40°C to +100°C		
Storage Temperature	-55°C to 100°C		
Lead Soldering Temperature	260°C		

This component is RoHS compliant



OPTO ELECTRONIC DATA (T_a = 25°C)

COLOUR		Luminous Intensity I _f = 2mA mcd	Peak Wave-length nm	Viewing Angle Degrees	Forward Voltage I _f = 2mA volts
RED	min	1.0	-	-	1.9
	typ	2.0	635	50	
YELLOW	min	1.0	-	-	2.4
	typ	2.0	585	50	
GREEN	min	1.0	-	-	1.9
	typ	2.0	565	50	
	max	-	-	-	

ORDERING INFORMATION

SSA187LXYZ X = Top LED Y = Middle LED Z = Bottom LED

Indicate colour by using R = Red Y = Yellow
B = Blank G = Green

BEDFORD OPTO TECHNOLOGY LTD
1 BIGGAR BUSINESS PARK, BIGGAR, LANARKSHIRE, ML12 6FX
 Tel: +44 (0) 1899 221221 Fax: +44 (0) 1899 221009
 Website: bot.co.uk E-mail: bill@bot.co.uk